

EBARA

	Page
- SPECIFICATIONS	200
SELECTION CHART	201
TYPE KEY AND CURVE SPECIFICATIONS	203
PERFORMANCE CURVE LPC 32	205
PERFORMANCE CURVE LPC 40	206
PERFORMANCE CURVE LPC 50	210
PERFORMANCE CURVE LPC 65	213
PERFORMANCE CURVE LPC 80	216
PERFORMANCE CURVE LPC100	218
- CONSTRUCTIONS	300
SECTIONAL VIEW	300
MECHANICAL SEAL	302
- DIMENSIONS AND WEIGHT	400
PUMP	400
- TECHNICAL DATA	500
MOTOR DATA	500
NOISE DATA	501

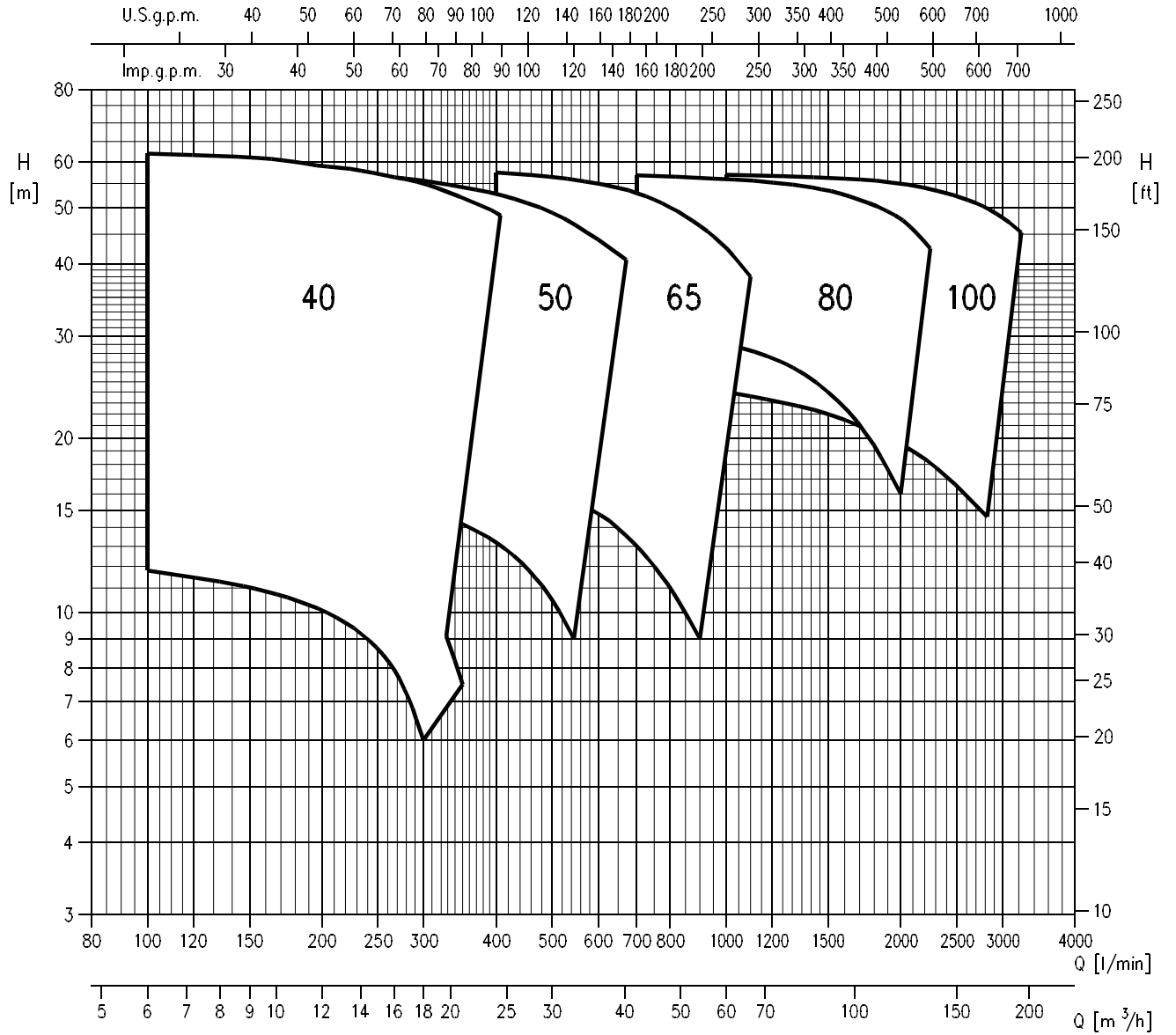
PUMP		
Liquid Handled	Type of liquid	Clean water
	Temperature [°C]	min. -10 max +110
	Viscosity [cSt]	max 38
Maximum ambient temperature [°C]		40 (over ask for det ails)
Maximum working pressure [MPa]		1.0
Construction	Impeller	Closed centrifugal type
	Shaft seal type	Mechanical seal
	Bearing	On the motor
Pipe Connection	Suction	PN10 (LPC 32-100 – LPC 40-100) DIN 2501 UNI 2223-29 PN16 all other models DIN 2501
	Discharge	PN10 (LPC 32-100 – LPC 40-100) DIN 2501 UNI 2223-29 PN16 all other models DIN 2501
Material	Casing	CAST IRON
	Impeller	CAST IRON
	Casing cover	CAST IRON
	Shaft seal	Carbon/SiC/EPDM
	Shaft	AISI 420
	Bracket	CAST IRON
Applicable standard of test		ISO 9906 – Annex A

MOTOR	
Type	Electric - TEFC Three Phase
Efficiency level (Reg. 640/2009)	- from 0.37 kW up to 0.55 kW IE2 from 0.75 kW up to 5.5 kW IE3 from 7.5 kW up to 37 kW
No. of Poles	2
Rotation speed [min ⁻¹]	≈ 2900
Insulation Class	F
Protection degree (CEI EN 60034-5)	IP 55
Power rating [kW]	0.37 ÷ 37
[HP]	0.5 ÷ 50
Frequency [Hz]	50
Voltage [V]	230/400 ±10% (up to 4 kW) 400/690 ±10% (5.5kW and above)
Over load protection	Provided by the user
Casing material	Alluminum (up to MEC 160) Cast iron (MEC 180 and above)

SELECTION CHART

50Hz

Rev. A



SELECTION CHART

50Hz

Rev. A

LPC 2 Poles: 32, 40, 50 Version

Pump type	Power		Q=Capacity															
	[kW]	[HP]	l/min	0	50	100	125	150	175	200	225	250	300	350	400	450	500	600
			m³/h	0	3.0	6	7.5	9	10.5	12	13.5	15	18	21	24	27	30	36
H=Total manometric head in meters																		
LPC 32-100/0,37	0.37	0.5	11.2	10.7	10	9.3	8.4	7.3	6	4	-	-	-	-	-	-	-	-
LPC 40-100/0,55	0.55	0.75	12.2	-	11.7	11.4	11	10.5	9.9	9.3	8.5	7	-	-	-	-	-	-
LPC 40-100/0,75	0.75	1	14	-	13.5	13.3	13	12.5	12	11.4	10.7	9	7	-	-	-	-	-
LPC 40-125/0,75	0.75	1	16.8	-	15.3	14.5	13.7	12.8	11.5	10.4	9	6	-	-	-	-	-	-
LPC 40-125/1,1	1.1	1.5	21.5	-	20.5	19.7	19	18.1	17.1	15.9	14.5	11.2	7.5	-	-	-	-	-
LPC 40-125/1,5	1.5	2	25	-	24.5	24.1	23.5	22.9	22	20.8	19.5	16.5	13	-	-	-	-	-
LPC 40-160/2,2	2.2	3	29.2	-	28.5	28	27.4	26.5	25.5	24.4	23.1	20	15	-	-	-	-	-
LPC 40-160/3R	3	4	34.5	-	33.5	33	32.5	32	31	30	29	26	22.5	-	-	-	-	-
LPC 40-160/3	3	4	38.5	-	38	37.5	36.8	35.8	35	33.9	32.5	30	26.5	-	-	-	-	-
LPC 40-200/4	4	5.5	47.5	-	47	46.5	46	45	44	43	42	39.2	36.1	33	-	-	-	-
LPC 40-200/5,5	5.5	7.5	55.5	-	55	54.5	54	53.5	53	52	51	48.5	46	42.5	-	-	-	-
LPC 40-200/7,5	7.5	10	62.5	-	62	61.5	61	60	59	58.5	57	55	52	49	45	40	-	-
LPC 50-125/1,5	1.5	2	16.8	-	-	-	-	-	16	15.7	15.5	15	14.2	13.2	11.9	10.5	7	-
LPC 50-125/2,2	2.2	3	20	-	-	-	-	-	19.5	19.3	19.1	18.5	17.5	16.6	15.5	14.1	10.5	-
LPC 50-125/3	3	4	25	-	-	-	-	-	24.7	24.6	24.5	24.2	23.7	23	21.8	20.5	17	-
LPC 50-160/3	3	4	31	-	-	-	-	-	30.5	30.2	29.9	29	27.8	26.5	24.9	23	18	-
LPC 50-160/4	4	5.5	38	-	-	-	-	-	37	36.8	36.5	35.5	34.6	33.5	32.2	30.7	26.5	-
LPC 50-200/5,5	5.5	7.5	47	-	-	-	-	-	46	45.5	45	44	43	41	39.2	37	31	-
LPC 50-200/7,5R	7.5	10	51.5	-	-	-	-	-	51	51	51	50	48.5	47	45	42.5	37	-
LPC 50-200/7,5	7.5	10	58.5	-	-	-	-	-	57.5	57	57	55.5	54	53	51	49	44	-

LPC 2 Poles: 65, 80, 100 Version

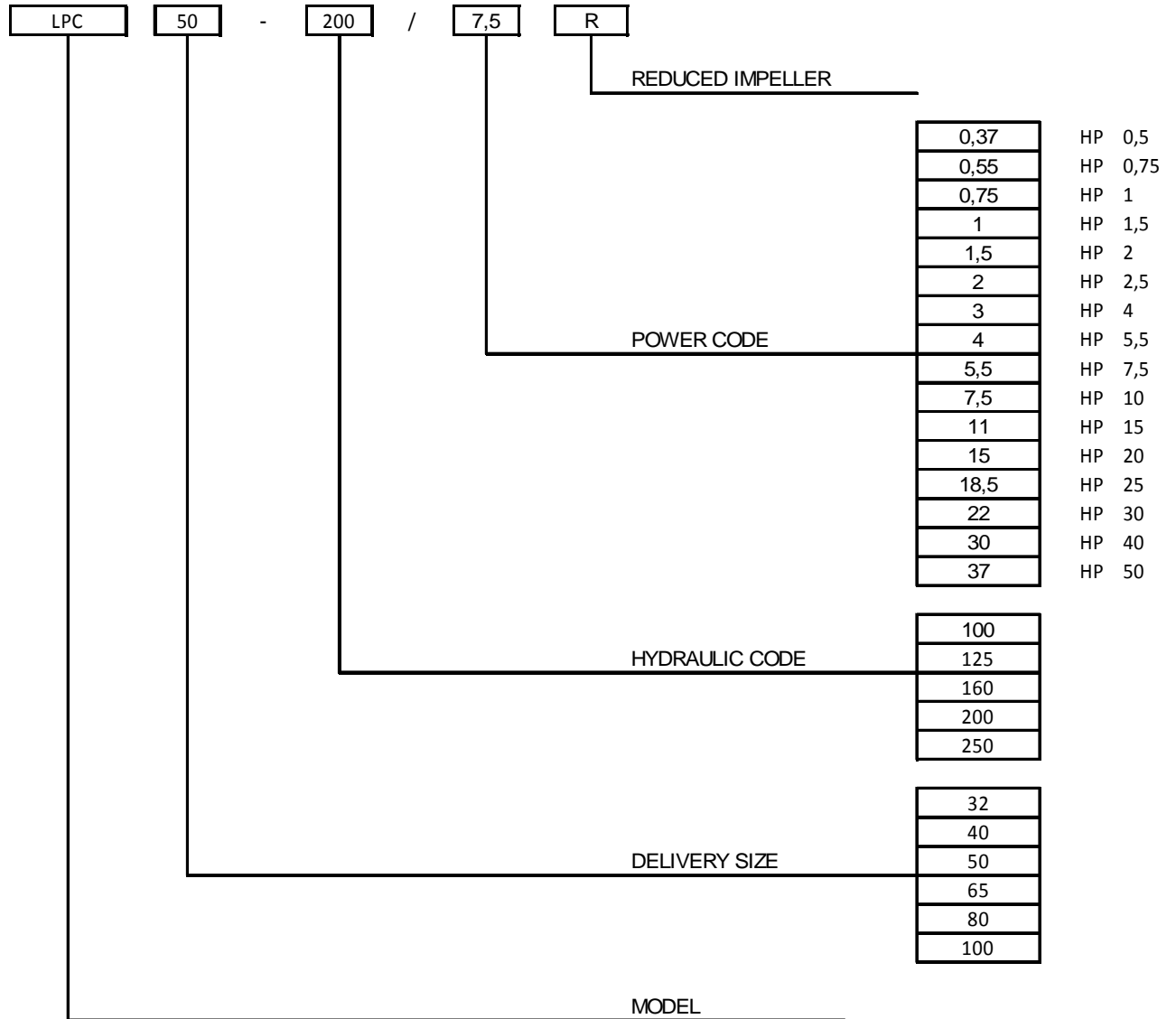
Pump type LPC Three Phase	Power		Q=Capacity																							
	[kW]	[HP]	l/min	0	350	400	450	500	600	700	800	900	1000	1100	1216	1250	1500	1750	2000	2250	2500	2750	3000	3500		
			m³/h	0	21	24	27	30	36	42	48	54	60	66	73	75	90	105	120	135	150	165	180	210		
H=Total manometric head in meters																										
LPC 65-125/2,2	2.2	3	18.5	17.5	17	16.5	16	14.8	13	11	9	-	-	-	-	-	-	-	-	-	-	-	-	-	-	
LPC 65-125/3	3	4	22.5	-	21.0	20.6	20.1	19	17.6	16	14	12	-	-	-	-	-	-	-	-	-	-	-	-	-	
LPC 65-125/4	4	5.5	26.2	-	25.5	25.2	24.8	24	22.9	21.5	19.6	17.5	-	-	-	-	-	-	-	-	-	-	-	-	-	
LPC 65-160/5,5	5.5	7.5	33.1	-	32.3	32	31.5	30.8	29.5	28	25.8	23.5	-	-	-	-	-	-	-	-	-	-	-	-	-	
LPC 65-160/7,5	7.5	10	37.1	-	36.7	36.4	36	35.2	34.1	32.8	31	28.8	26	23	-	-	-	-	-	-	-	-	-	-	-	
LPC 65-200/11	10	13.6	52	-	51	50	49	48	45.5	43	39.7	36	31.5	27.0	-	-	-	-	-	-	-	-	-	-	-	
LPC 65-200/15	12.5	17	58.5	-	57.5	57	56.5	55	53	50	46.5	42.5	38	33.8	-	-	-	-	-	-	-	-	-	-	-	
LPC 80-160/11	10	13.6	31	-	-	-	-	-	30.5	30	29.5	29	28.3	27.5	27	24	20.2	16	-	-	-	-	-	-	-	
LPC 80-160/15R	12.5	17	37	-	-	-	-	-	36	35.5	35	34.5	34	33	32.8	30	27	23	19	-	-	-	-	-	-	
LPC 80-160/15	15	20	42	-	-	-	-	-	41	40.5	39.9	39.2	38.6	37.8	37.5	35.5	32.5	29	24	-	-	-	-	-	-	
LPC 80-200/15	20	25	44	-	-	-	-	-	44	44	43.5	43	42.5	41.8	41.5	39	35.5	31.5	-	-	-	-	-	-	-	
LPC 80-200/18,5	18.5	25	51	-	-	-	-	-	50.5	50	50	49.5	49	48.8	48.5	46.5	43	39.5	35	-	-	-	-	-	-	
LPC 80-200/22	22	30	57	-	-	-	-	-	57	56.5	56.5	56.0	55.5	55.2	55	53.5	51	48	42.5	-	-	-	-	-	-	
LPC 100-160/11	10	13.6	24.8	-	-	-	-	-	-	-	-	23.5	23.6	23.2	23	22	20.7	19.5	18.1	16.5	14	-	-	-	-	
LPC 100-160/15R	12.5	17	29.5	-	-	-	-	-	-	-	-	28.5	28.2	28.0	27.9	27	25.8	24.5	23	21.5	20	18	-	-	-	
LPC 100-160/15	15	20	35	-	-	-	-	-	-	-	-	34	33.8	33.5	33.3	32.5	31.7	30.5	29.2	27.6	26	24.5	-	-	-	
LPC 100-200/18,5	18.5	25	42	-	-	-	-	-	-	-	-	42	41.5	41.2	41	40	38.6	37	35	33	30.5	28	-	-	-	
LPC 100-200/22	22	30	47	-	-	-	-	-	-	-	-	47	46.5	46.6	46.7	45.5	44.5	43	41	39	36.7	34	-	-	-	
LPC 100-200/30	30	40	55.5	-	-	-	-	-	-	-	-	-	-	-	54	53	52	50.5	49	47	45	42.5	37	-	-	
LPC 100-200/37	37	55	57	-	-	-	-	-	-	-	-	-	-	-	56.5	56.5	56	55	54	52.5	50.5	48	42	-	-	
LPC 100-250/37	37	55	68.5	-	-	-	-	-	-	-	-	-	-	-	67.5	67	66	65	63.5	61	58	55	47	-	-	

TYPE KEY AND CURVE SPECIFICATIONS

50Hz

Rev. A

TYPE KEY:



PERFORMANCE CURVE SPECIFICATIONS

The specifications below qualify the curves shown on the following pages.

Tolerances according to ISO 9906 Annex A

The curves refer to effective speed of asynchronous motors at 50 Hz

Measurements were carried out with clean water at 20°C of temperature and with a kinematic viscosity of $\nu = 1 \text{ mm}^2/\text{s}$ (1 cSt)

The NPSH curve is an average curve obtained in the same conditions of performance curves.

The continuous curves indicate the recommended working range. The dotted curve is only a guide.

In order to avoid the risk of over-heating, the pumps should not be used at a flow rate below 10% of best efficiency point.

Symbols explanation:

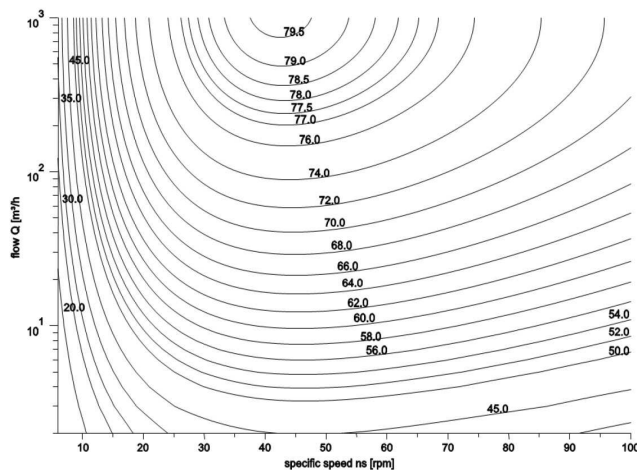
- Q = volume flow rate
- H = total head
- P_2 = pump power input (shaft power)
- η = pump efficiency
- NPSH = net positive suction head required by the pump
- MEI = minimum efficiency index

The minimum efficiency index (MEI) is a measure of the quality of a pump size in respect to its mean efficiency. The minimum efficiency index is based on the hydraulic efficiency and on the head at the best efficiency point.

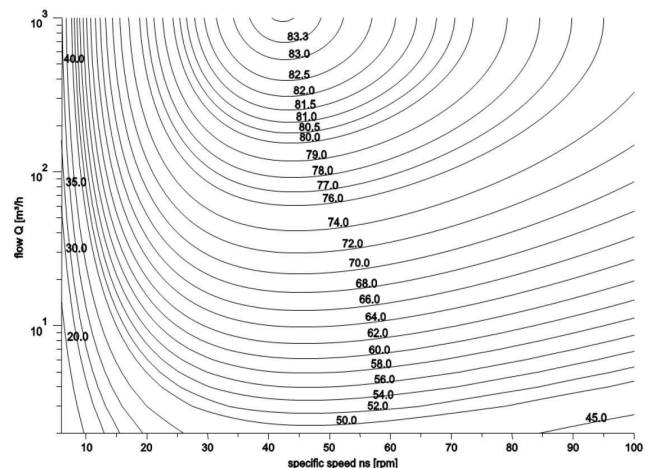
The efficiency of a pump with trimmed impeller is usually lower than that of a pump with the full impeller diameter. The trimming of the impeller will adapt the pump to a fixed duty point, leading to reduced energy consumption. The minimum efficiency index (MEI) is based on the full impeller diameter.

The operation of these water pumps with variable duty points may be more efficient and economic when controlled, for example, by the use of a variable speed drive that matches the pump duty to the system.

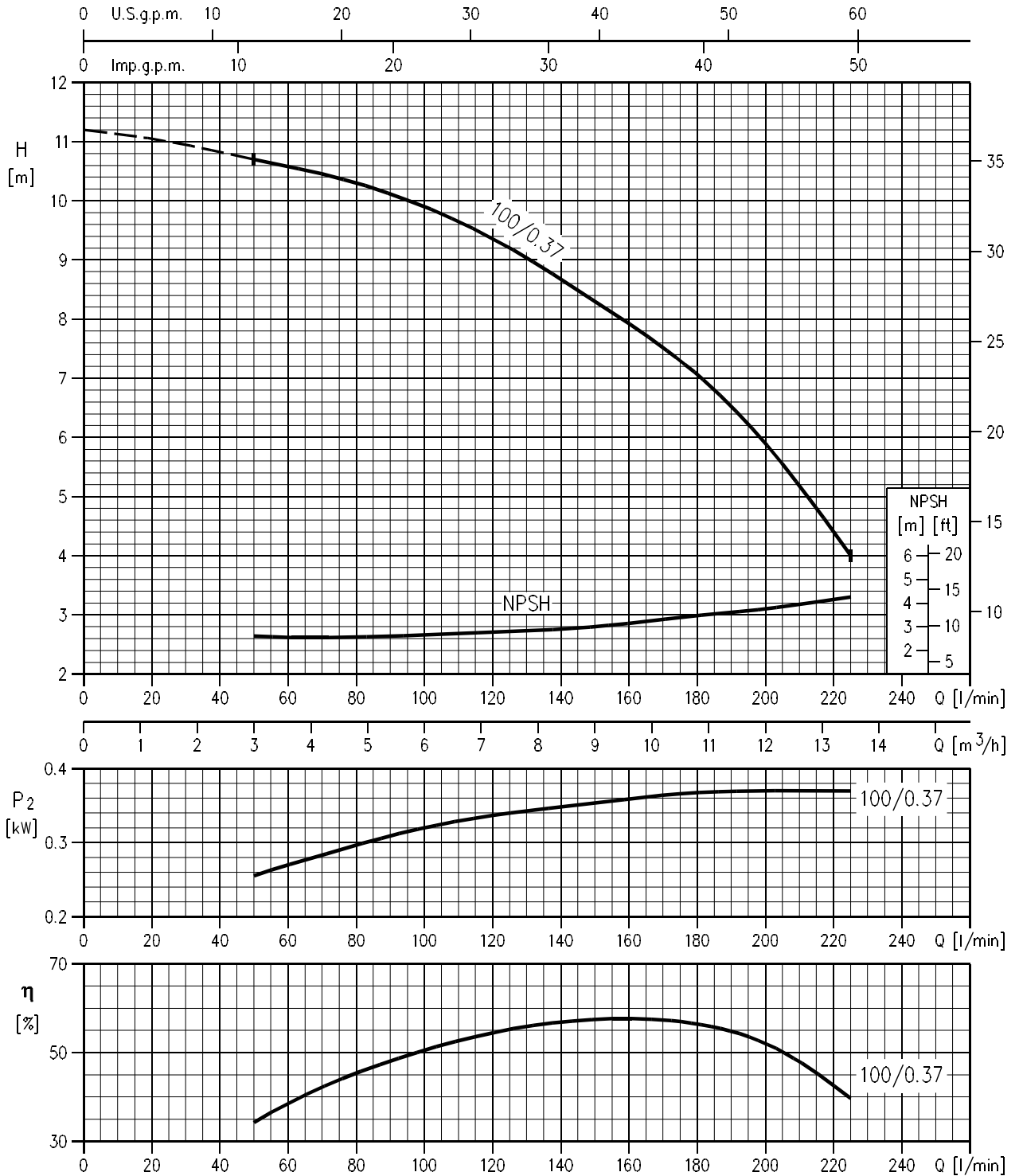
MEI = 0.4 for ESCCi 2900rpm



MEI=0.7 for ESCCi 2900 rpm



LPC 32-100/0.37 (0.37 kW) MEI > 0.40 Impeller diameter = 99 mm



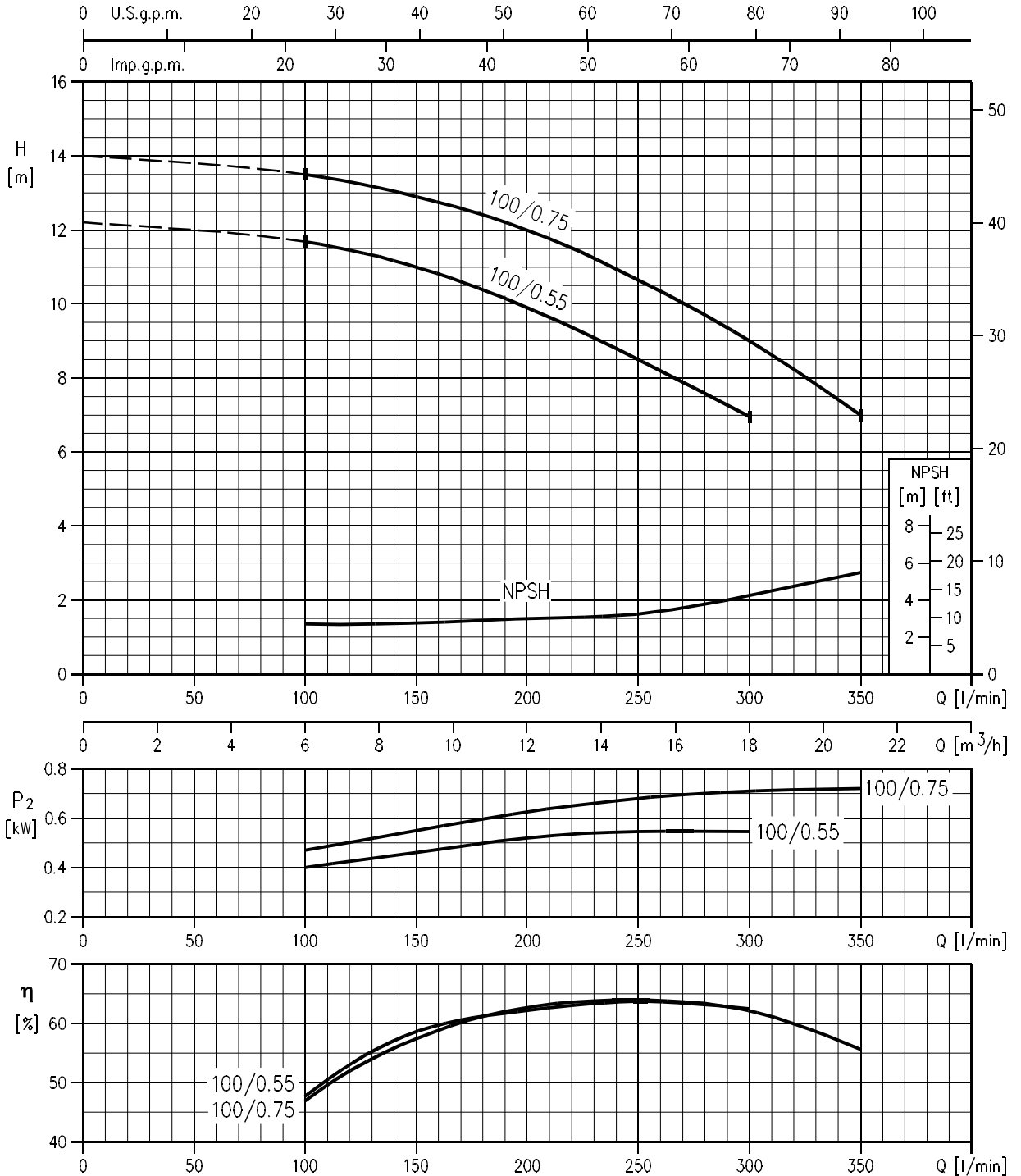
Rotation speed ≈ 2900 min⁻¹
 Test standard: ISO 9906 – Annex A

PERFORMANCE CURVE

50Hz

Rev. A

LPC 40-100/0.55 (0.55 kW) MEI > 0.40 Impeller diameter = 98 mm
 LPC 40-100/0.75 (0.75 kW) MEI > 0.40 Impeller diameter = 105 mm



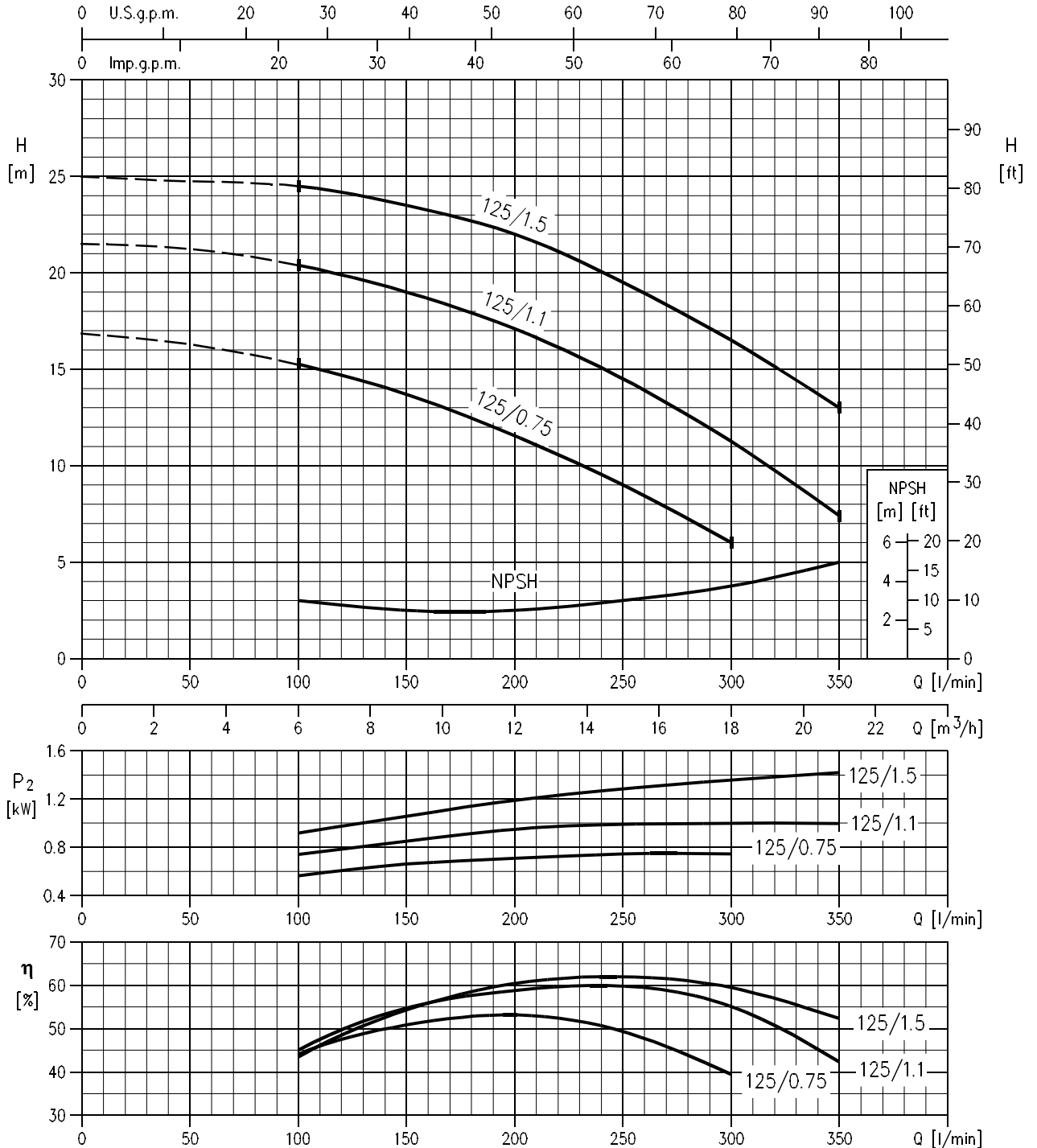
Rotation speed ≈ 2900 min⁻¹
 Test standard: ISO 9906 – Annex A

PERFORMANCE CURVE

50Hz

Rev. A

LPC 40-125/0.75 (0.75 kW) MEI > 0.40 Impeller diameter = 120 mm
 LPC 40-125/1.1 (1.1 kW) MEI > 0.40 Impeller diameter = 130 mm
 LPC 40-125/1.5 (1.5 kW) MEI > 0.40 Impeller diameter = 139 mm



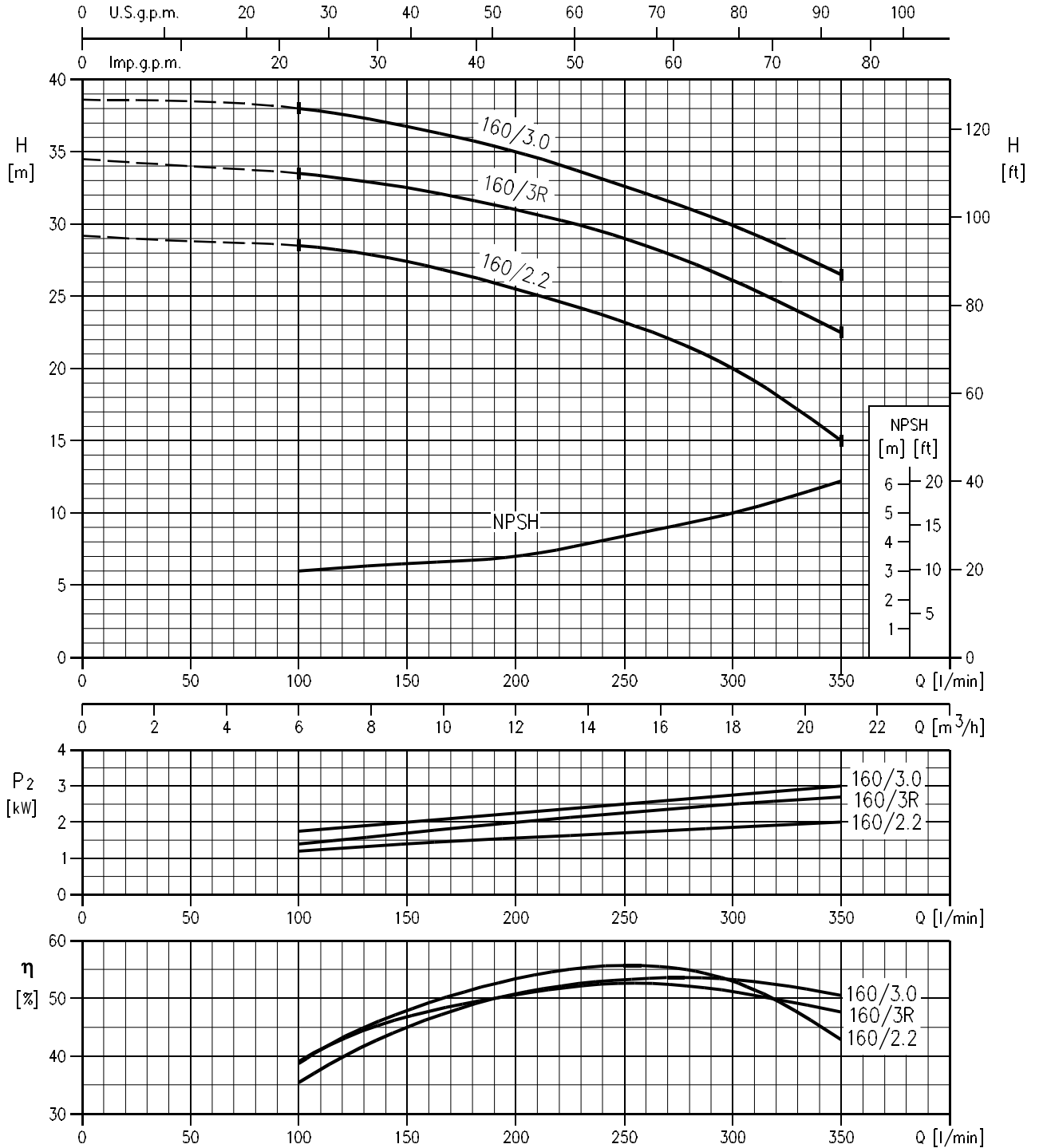
Rotation speed ≈ 2900 min⁻¹
 Test standard: ISO 9906 – Annex A

PERFORMANCE CURVE

50Hz

Rev. A

LPC 40-160/2.2 (2.2 kW) MEI > 0.40 Impeller diameter = 150 mm
 LPC 40-160/3R (3.0 kW) MEI > 0.40 Impeller diameter = 160 mm
 LPC 40-160/3.0 (3.0 kW) MEI > 0.40 Impeller diameter = 169 mm



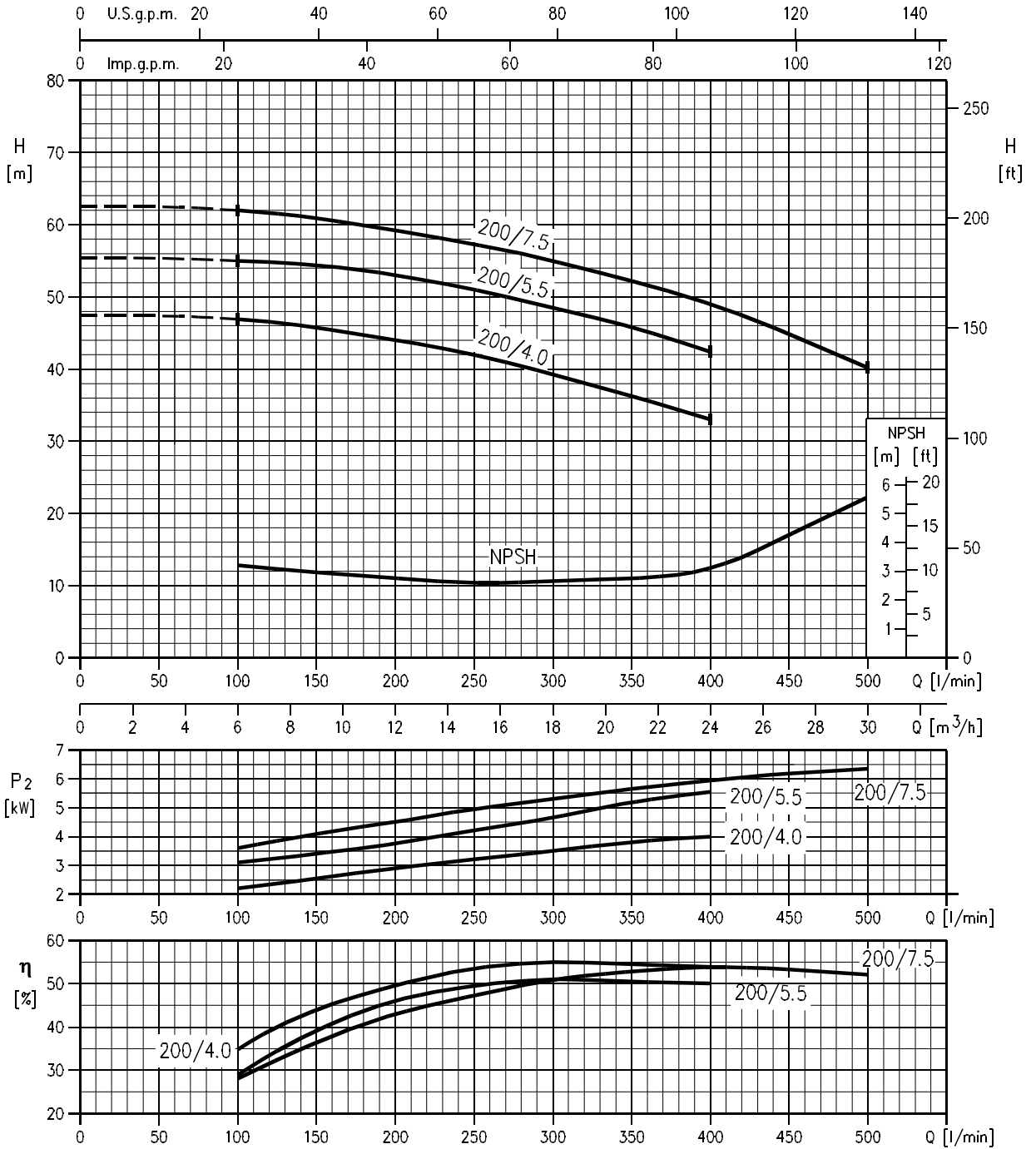
Rotation speed ≈ 2900 min⁻¹
 Test standard: ISO 9906 – Annex A

PERFORMANCE CURVE

50Hz

Rev. A

LPC 40-200/4.0 (4.0 kW) MEI > 0.40 Impeller diameter = 187 mm
 LPC 40-200/5.5 (5.5 kW) MEI > 0.40 Impeller diameter = 200 mm
 LPC 40-200/7.5 (7.5 kW) MEI > 0.40 Impeller diameter = 209 mm



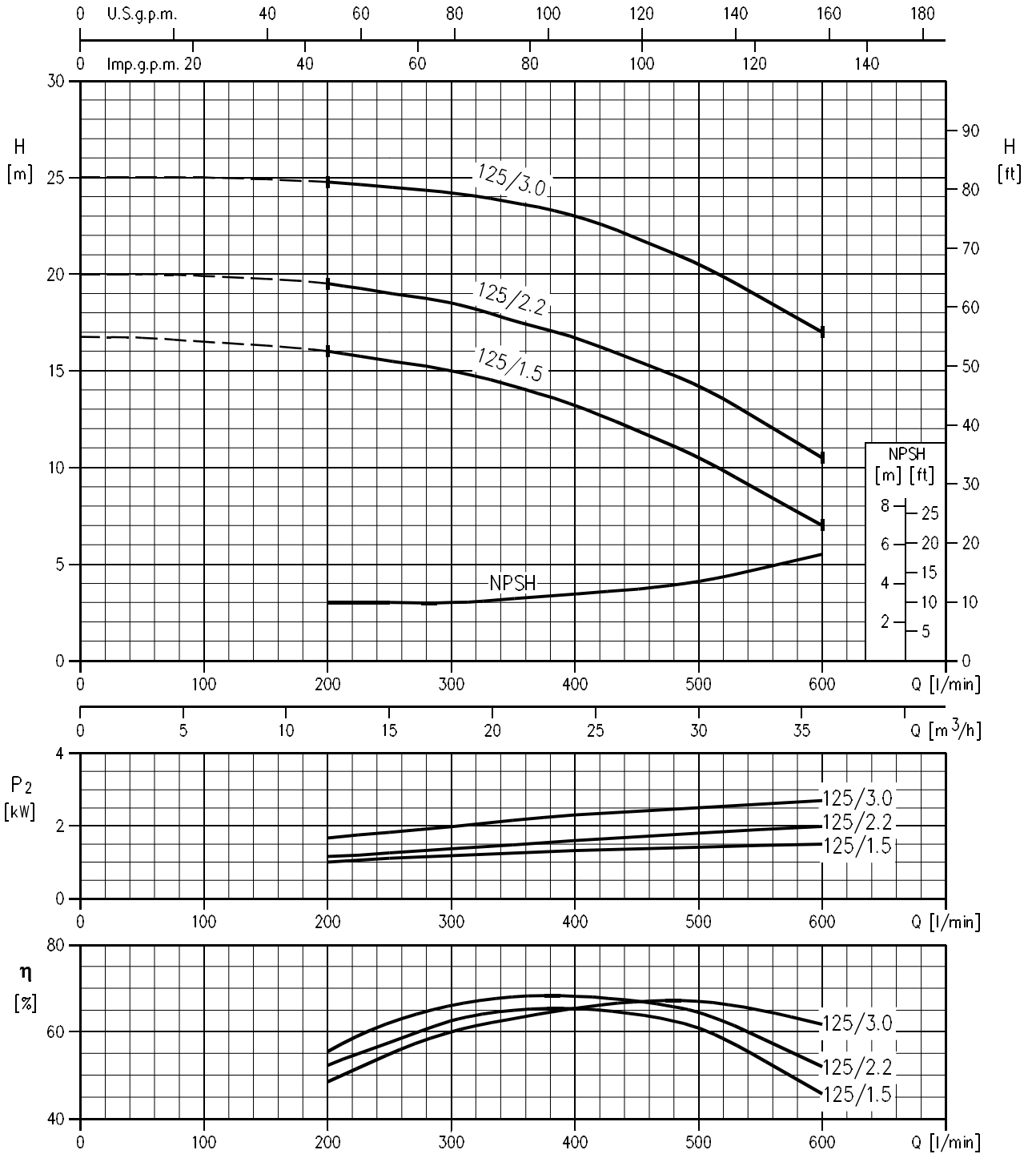
Rotation speed ≈ 2900 min⁻¹
 Test standard: ISO 9906 – Annex A

PERFORMANCE CURVE

50Hz

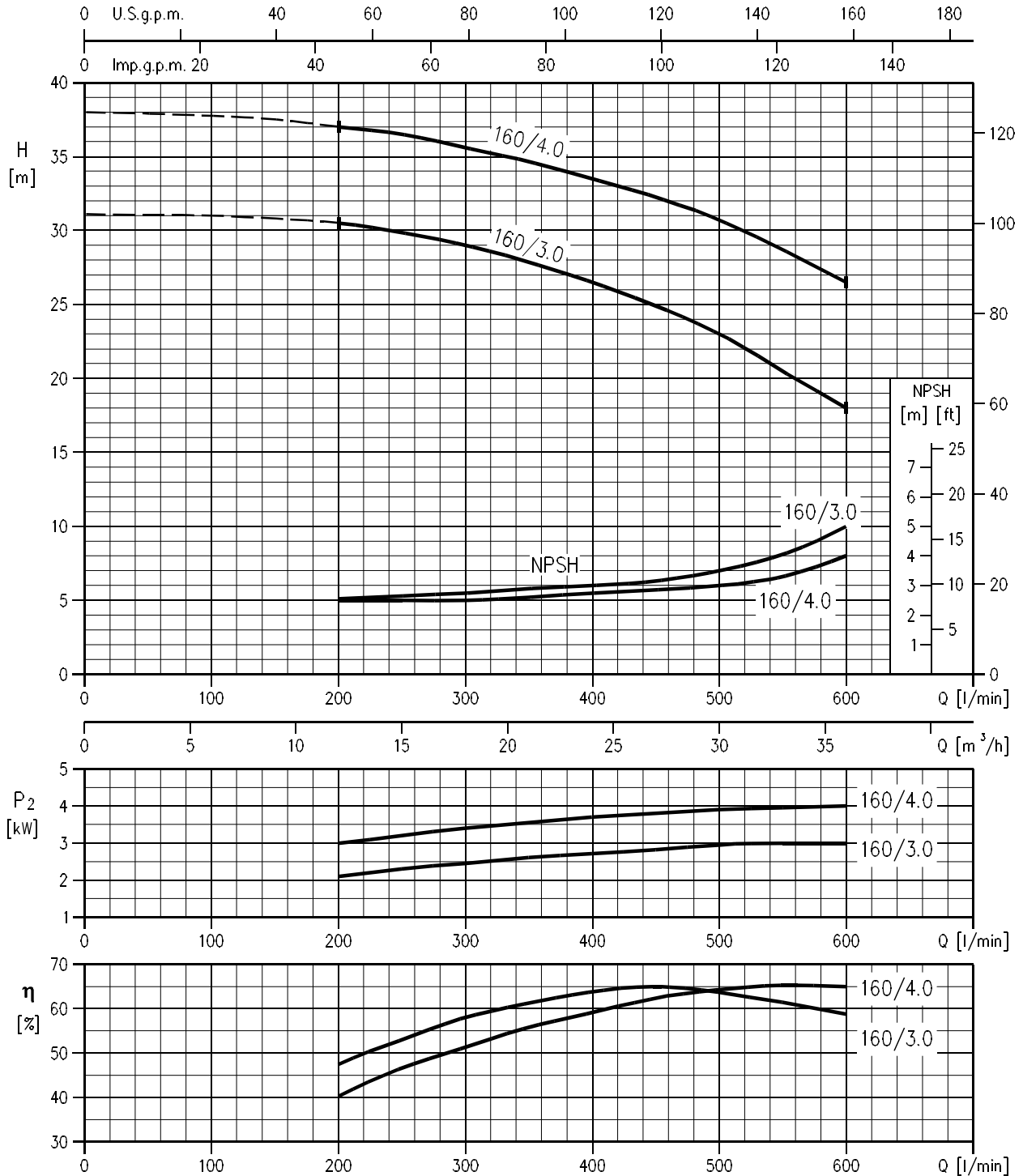
Rev. A

LPC 50-125/1.5 (1.5 kW) MEI > 0.40 Impeller diameter = 122 mm
 LPC 50-125/2.2 (2.2 kW) MEI > 0.40 Impeller diameter = 130 mm
 LPC 50-125/3.0 (3.0 kW) MEI > 0.40 Impeller diameter = 140.5 mm



Rotation speed ≈ 2900 min⁻¹
 Test standard: ISO 9906 – Annex A

LPC 50-160/3.0 (3.0 kW) MEI > 0.40 Impeller diameter = 158 mm
 LPC 50-160/4.0 (4.0 kW) MEI > 0.40 Impeller diameter = 169 mm



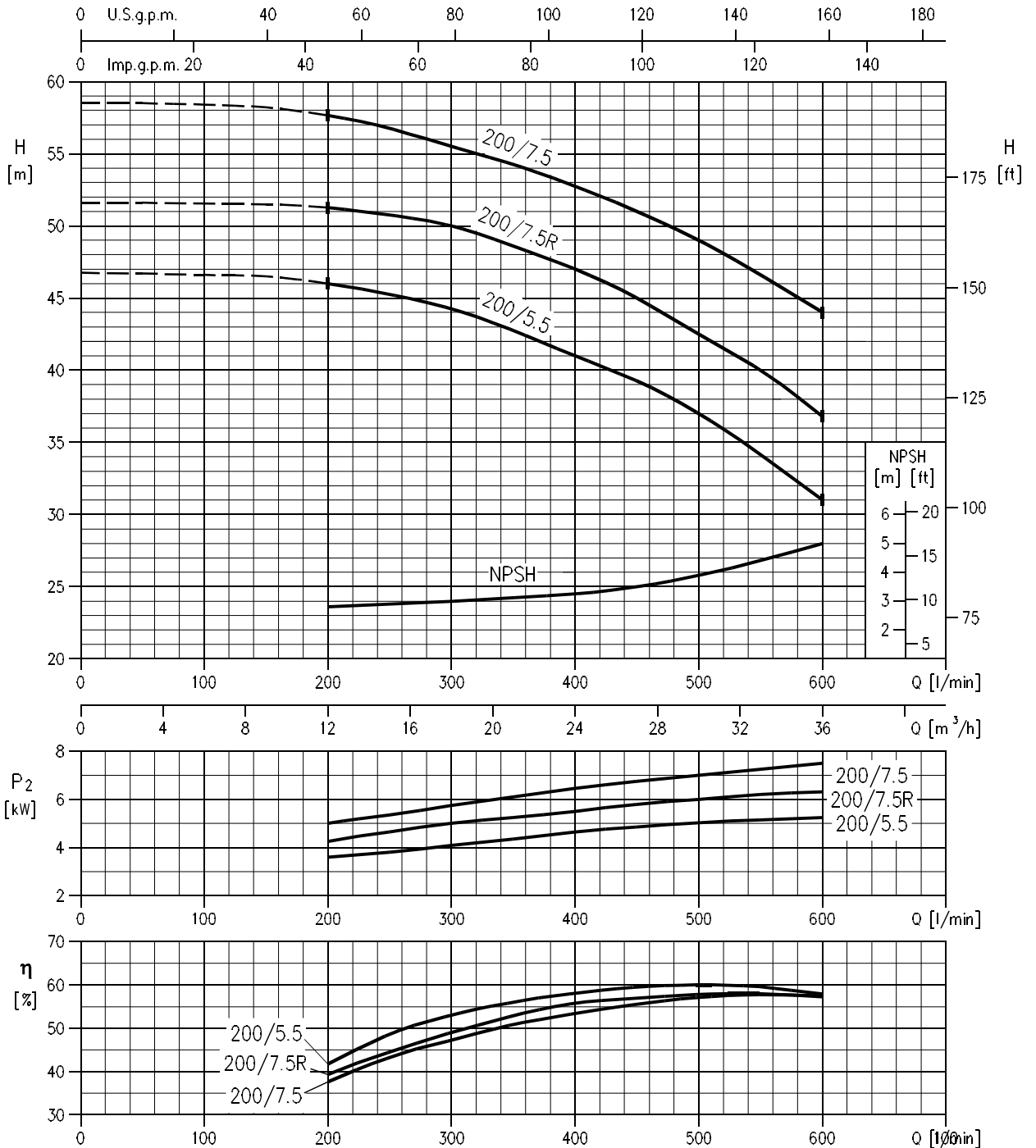
Rotation speed ≈ 2900 min⁻¹
 Test standard: ISO 9906 – Annex A

PERFORMANCE CURVE

50Hz

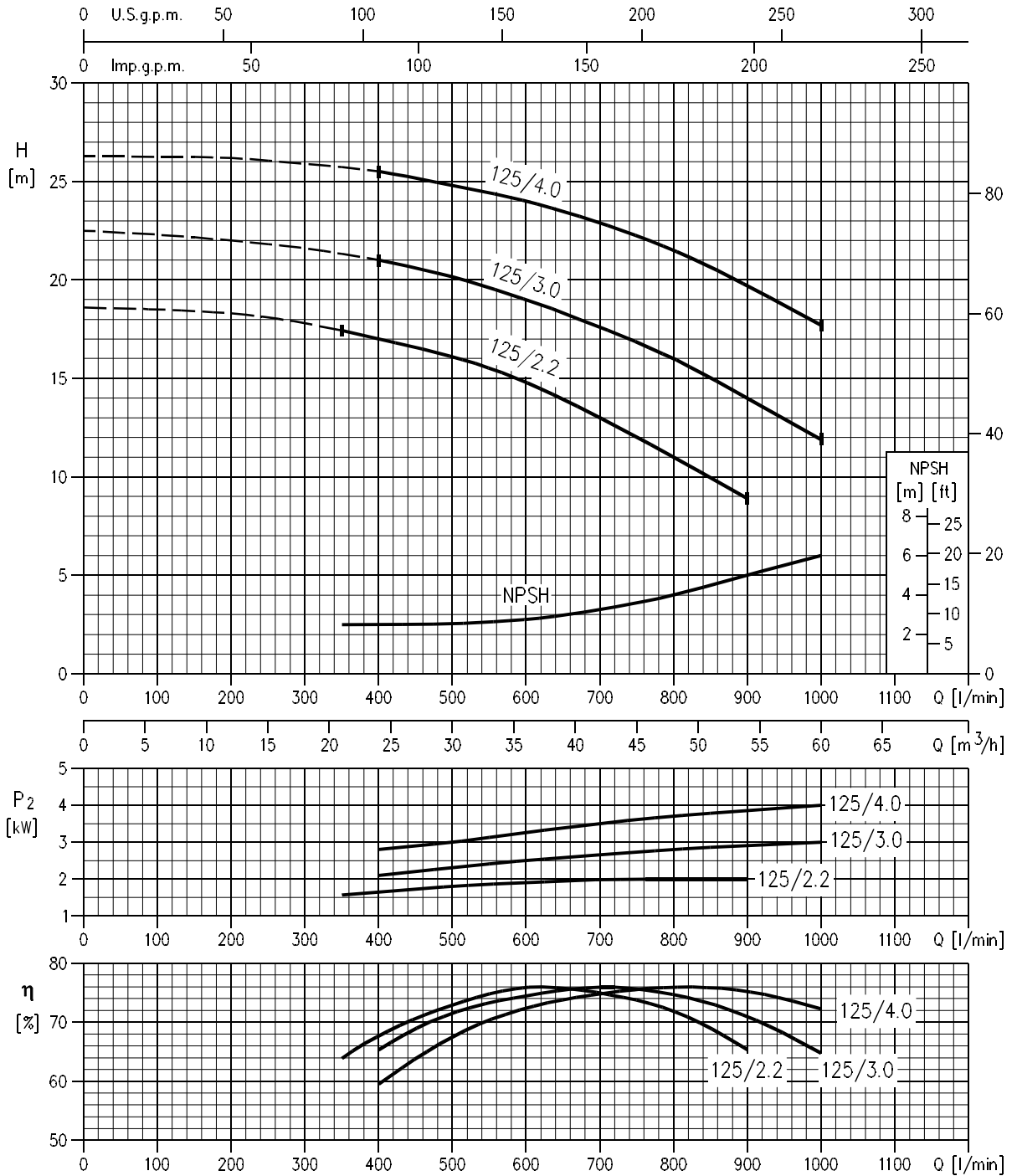
Rev. A

LPC 50-200/5.5 (5.5 kW) MEI > 0.40 Impeller diameter = 193 mm
 LPC 50-200/7.5R (7.5 kW) MEI > 0.40 Impeller diameter = 201 mm
 LPC 50-200/7.5 (7.5 kW) MEI > 0.40 Impeller diameter = 210 mm



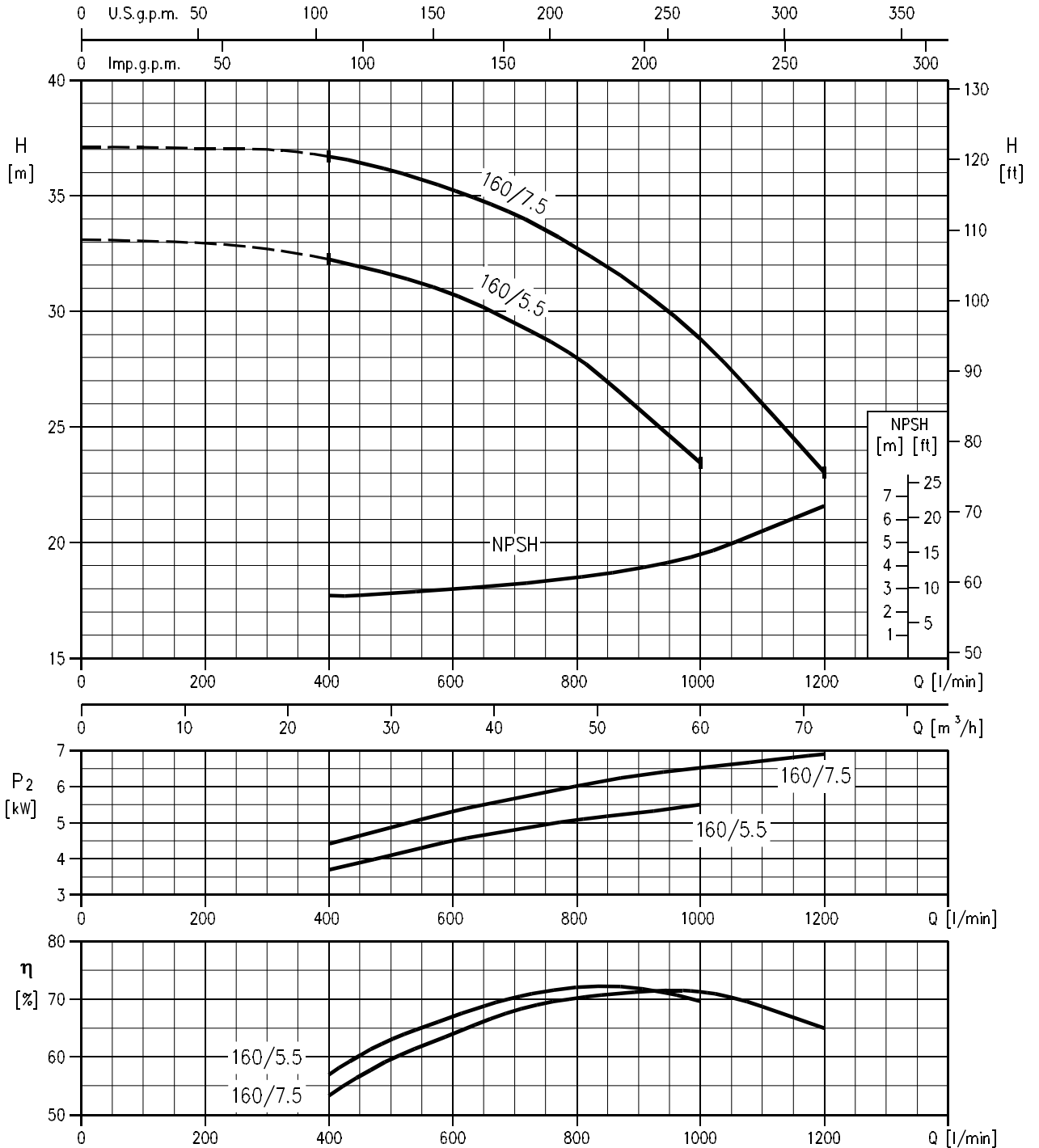
Rotation speed ≈ 2900 min⁻¹
 Test standard: ISO 9906 – Annex A

LPC 65-125/2.2 (2.2 kW) MEI > 0.40 Impeller diameter = 118 mm
 LPC 65-125/3.0 (3.0 kW) MEI > 0.40 Impeller diameter = 128 mm
 LPC 65-125/4.0 (4.0 kW) MEI > 0.40 Impeller diameter = 139 mm



Rotation speed ≈ 2900 min⁻¹
 Test standard: ISO 9906 – Annex A

LPC 65-160/5.5 (5.5 kW) MEI > 0.40 Impeller diameter = 160 mm
 LPC 65-160/7.5 (7.5 kW) MEI > 0.40 Impeller diameter = 169 mm



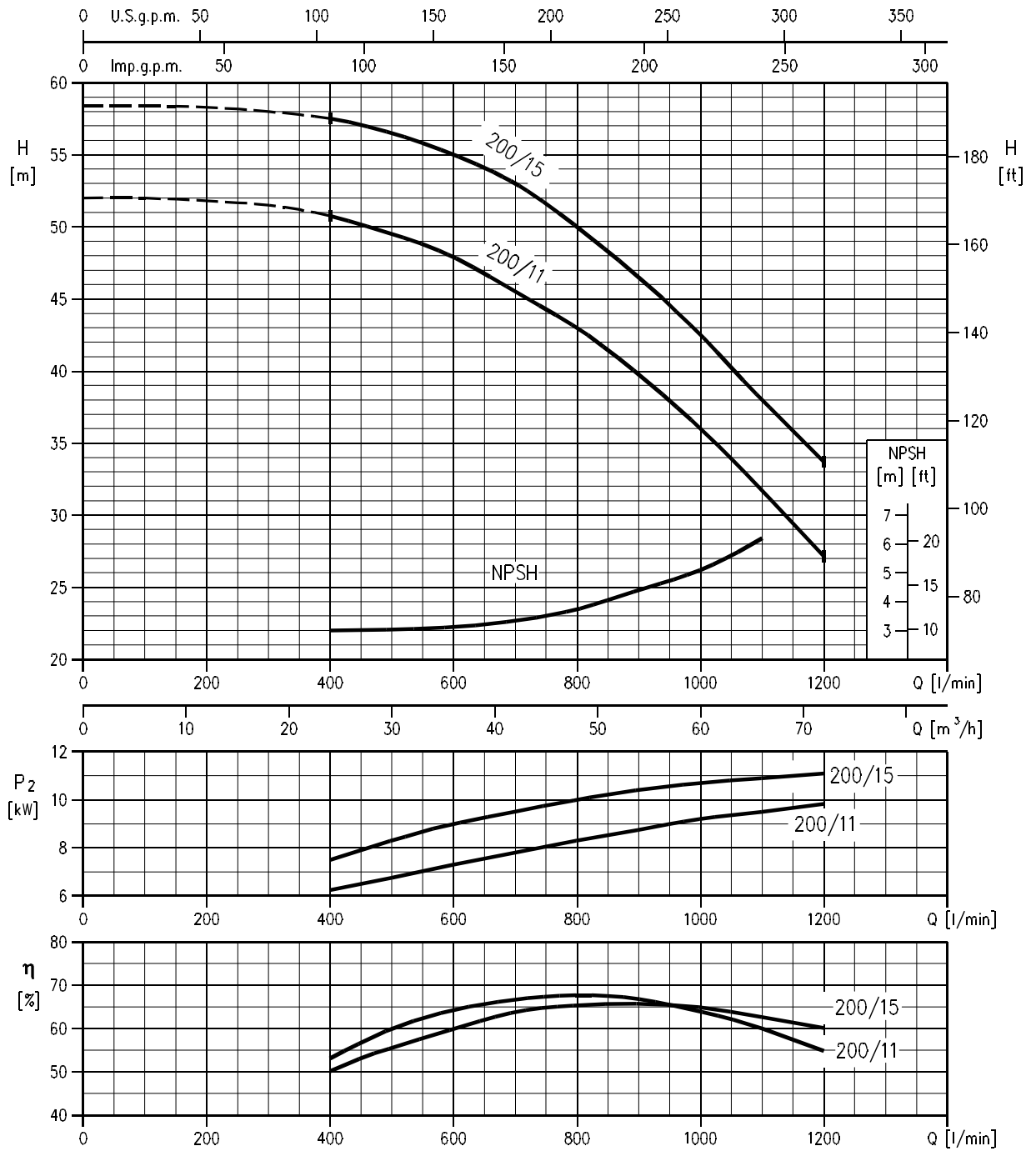
Rotation speed ≈ 2900 min⁻¹
 Test standard: ISO 9906 – Annex A

PERFORMANCE CURVE

50Hz

Rev. A

LPC 65-200/11 (11 kW) MEI > 0.40 Impeller diameter = 200 mm
 LPC 65-200/15 (15 kW) MEI > 0.40 Impeller diameter = 209 mm



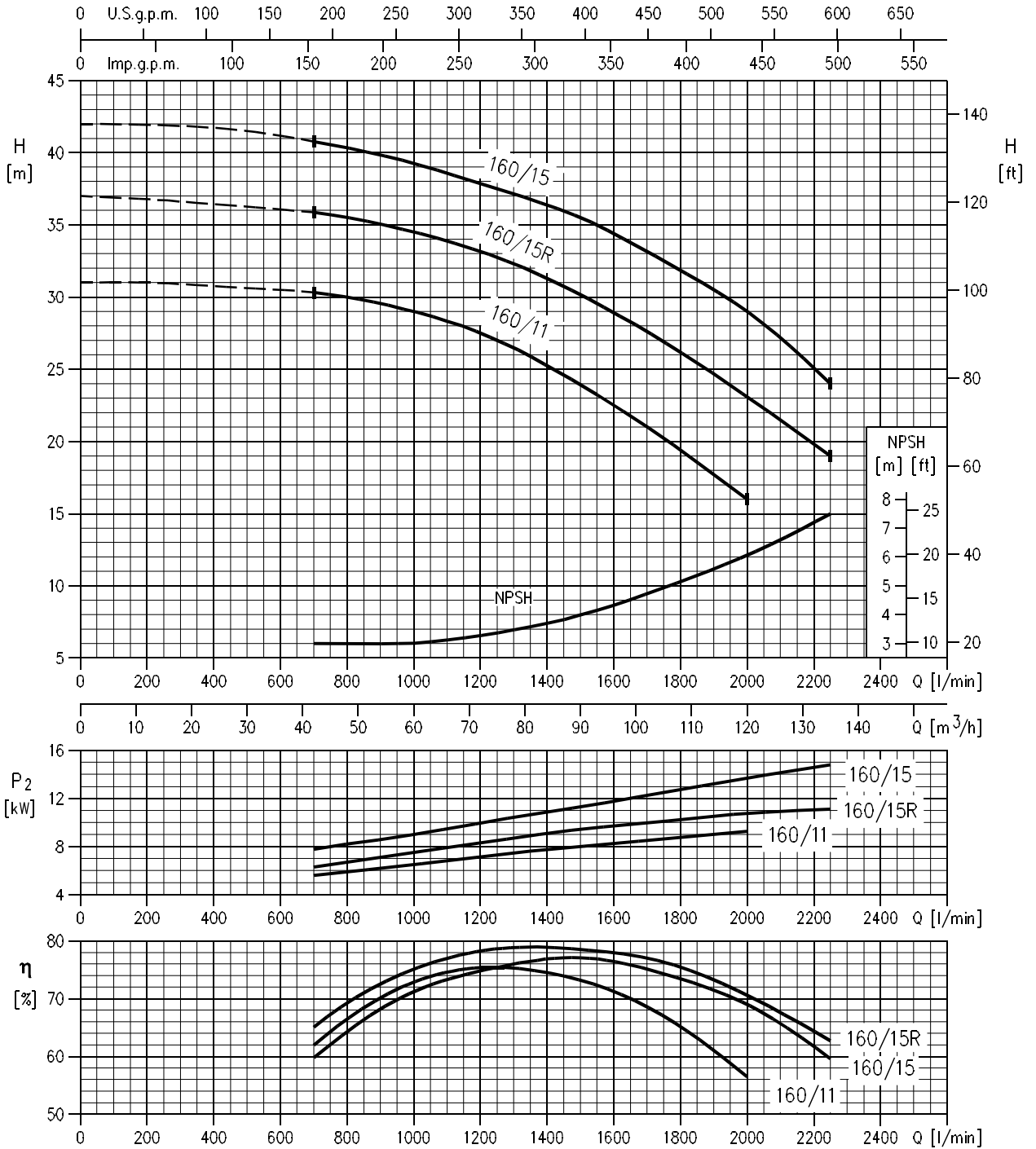
Rotation speed $\approx 2900 \text{ min}^{-1}$
 Test standard: ISO 9906 – Annex A

PERFORMANCE CURVE

50Hz

Rev. A

LPC 80-160/11 (11 kW) MEI > 0.40 Impeller diameter = 150 mm
 LPC 80-160/15R (15 kW) MEI > 0.40 Impeller diameter = 160 mm
 LPC 80-160/15 (15 kW) MEI > 0.40 Impeller diameter = 169 mm



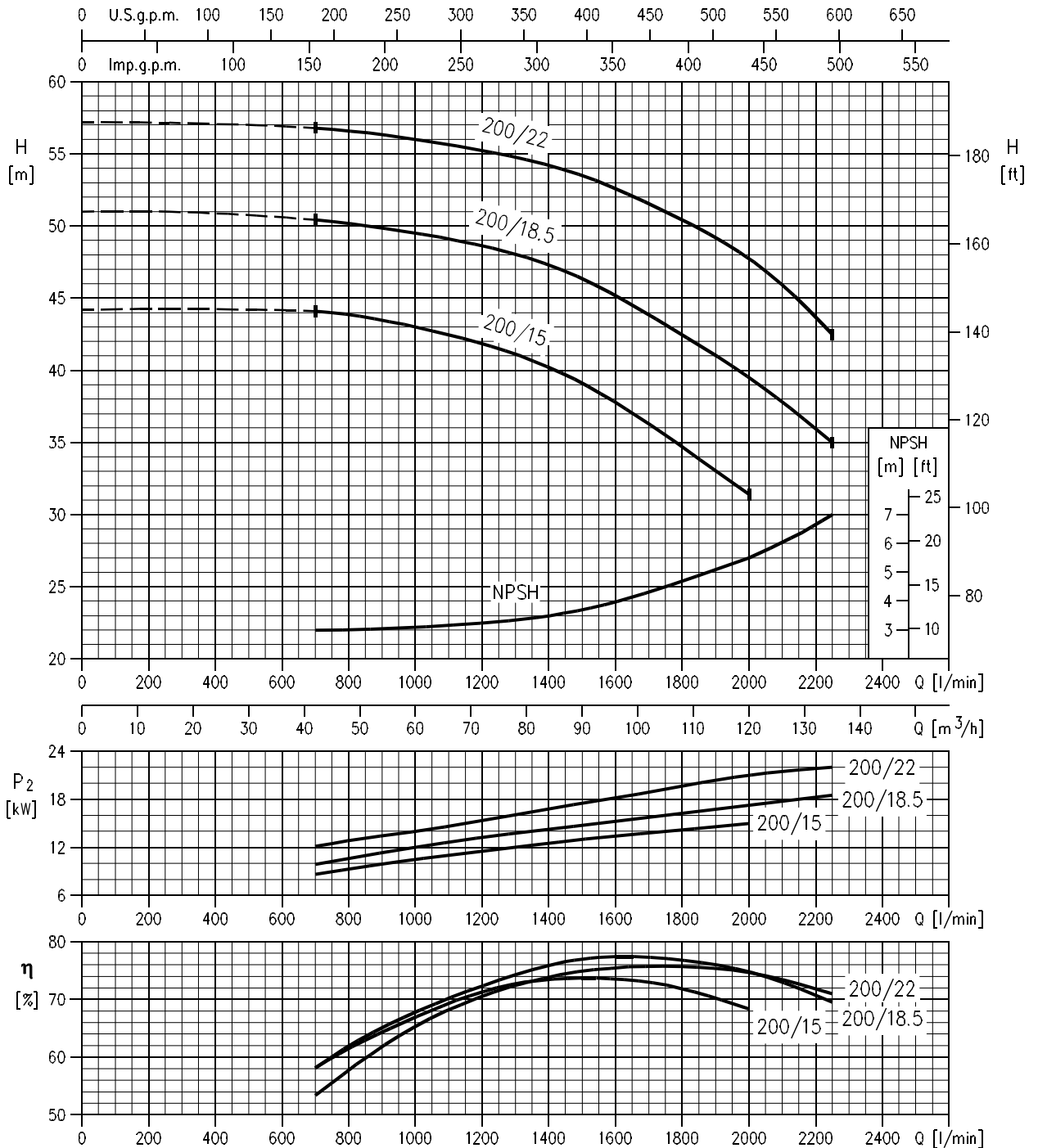
Rotation speed ≈ 2900 min⁻¹
 Test standard: ISO 9906 – Annex A

PERFORMANCE CURVE

50Hz

Rev. A

LPC 80-200/15 (15 kW) MEI > 0.40 Impeller diameter = 180 mm
 LPC 80-200/18.5 (18.5 kW) MEI > 0.40 Impeller diameter = 194 mm
 LPC 80-200/22 (22 kW) MEI > 0.40 Impeller diameter = 204 mm



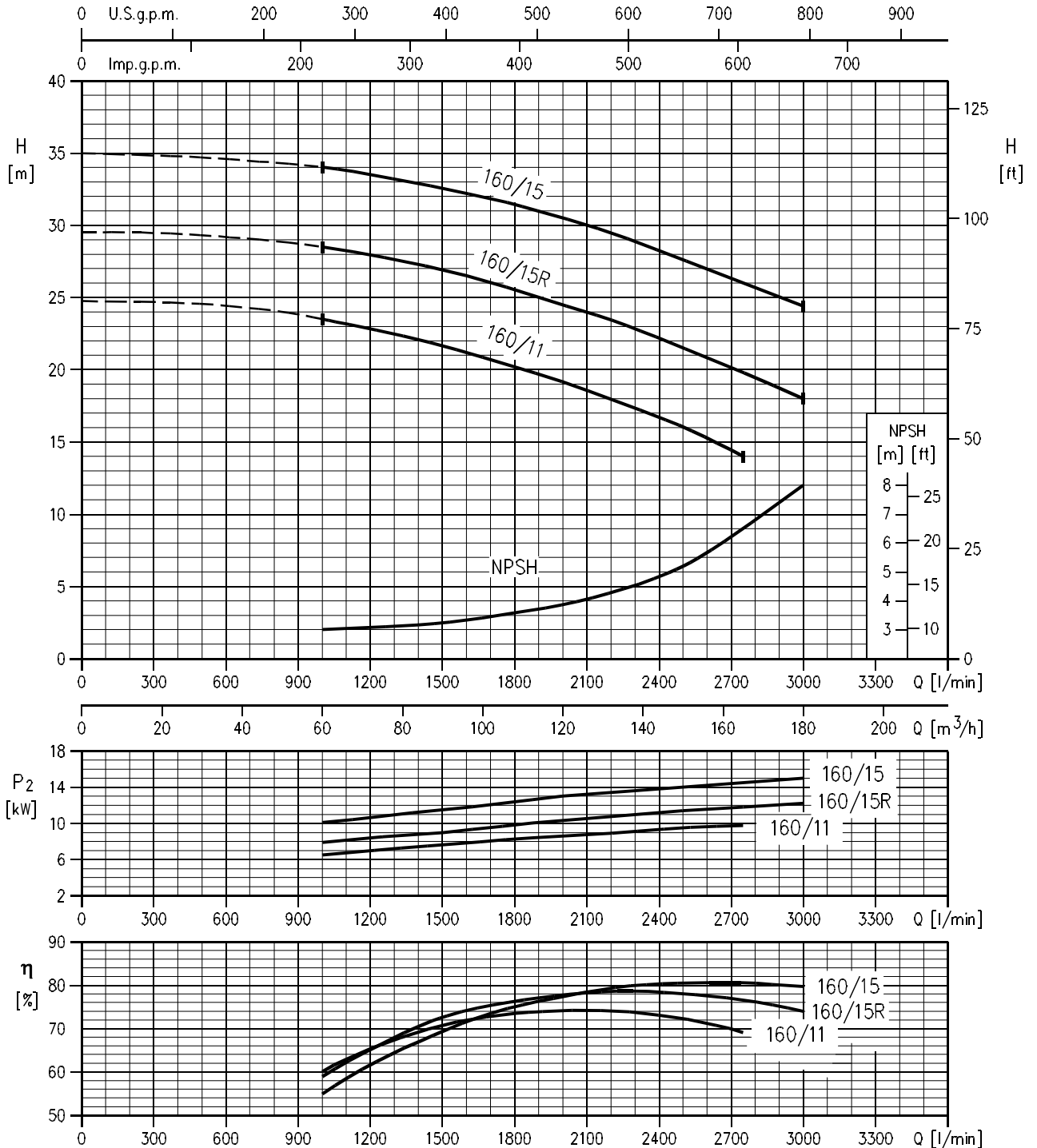
Rotation speed ≈ 2900 min⁻¹
 Test standard: ISO 9906 – Annex A

PERFORMANCE CURVE

50Hz

Rev. A

LPC 100-160/11 (11 kW) MEI > 0.40 Impeller diameter = 140 mm
 LPC 100-160/15R (15 kW) MEI > 0.40 Impeller diameter = 150 mm
 LPC 100-160/15 (15 kW) MEI > 0.40 Impeller diameter = 160 mm



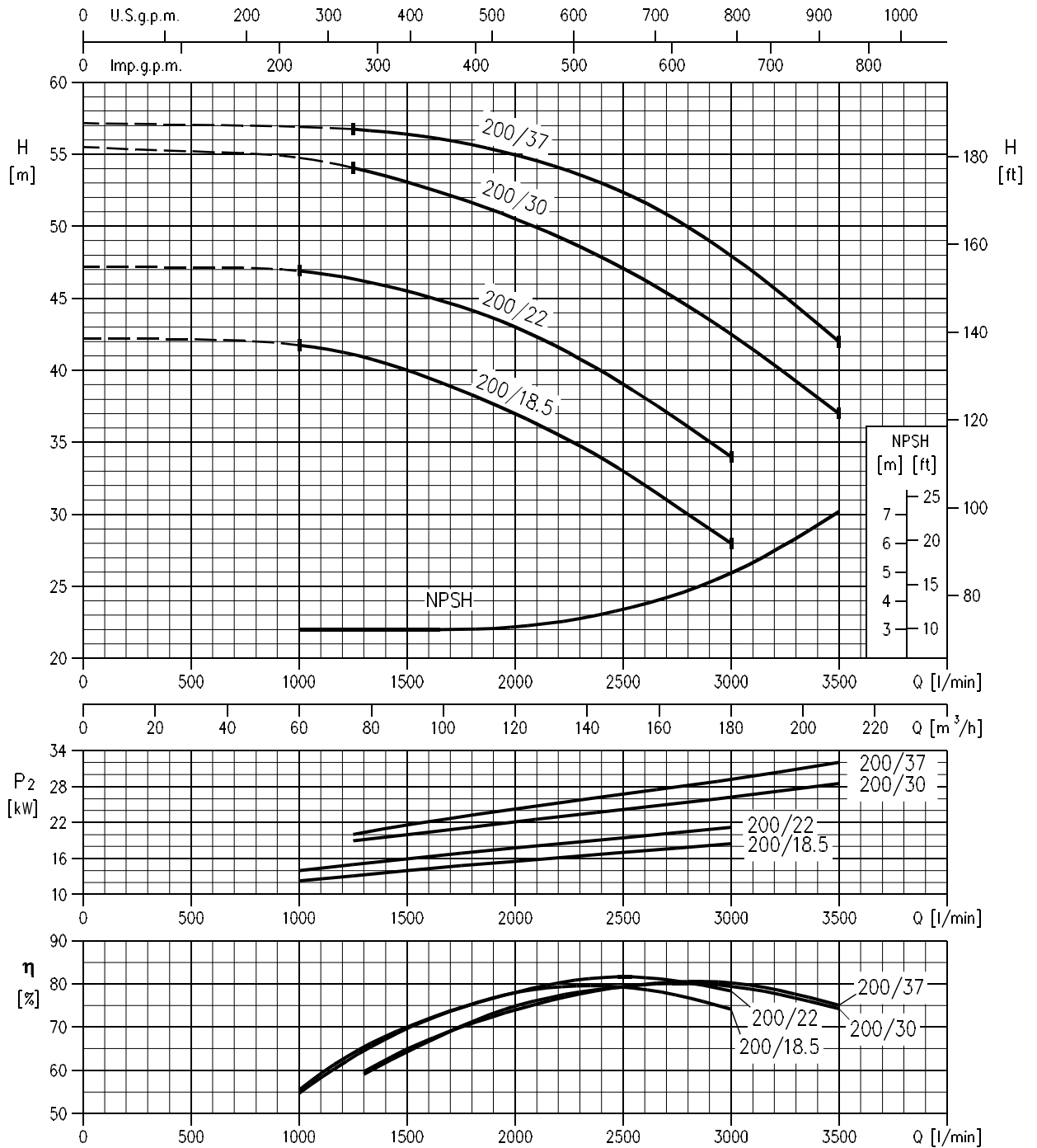
Rotation speed ≈ 2900 min⁻¹
 Test standard: ISO 9906 – Annex A

PERFORMANCE CURVE

50Hz

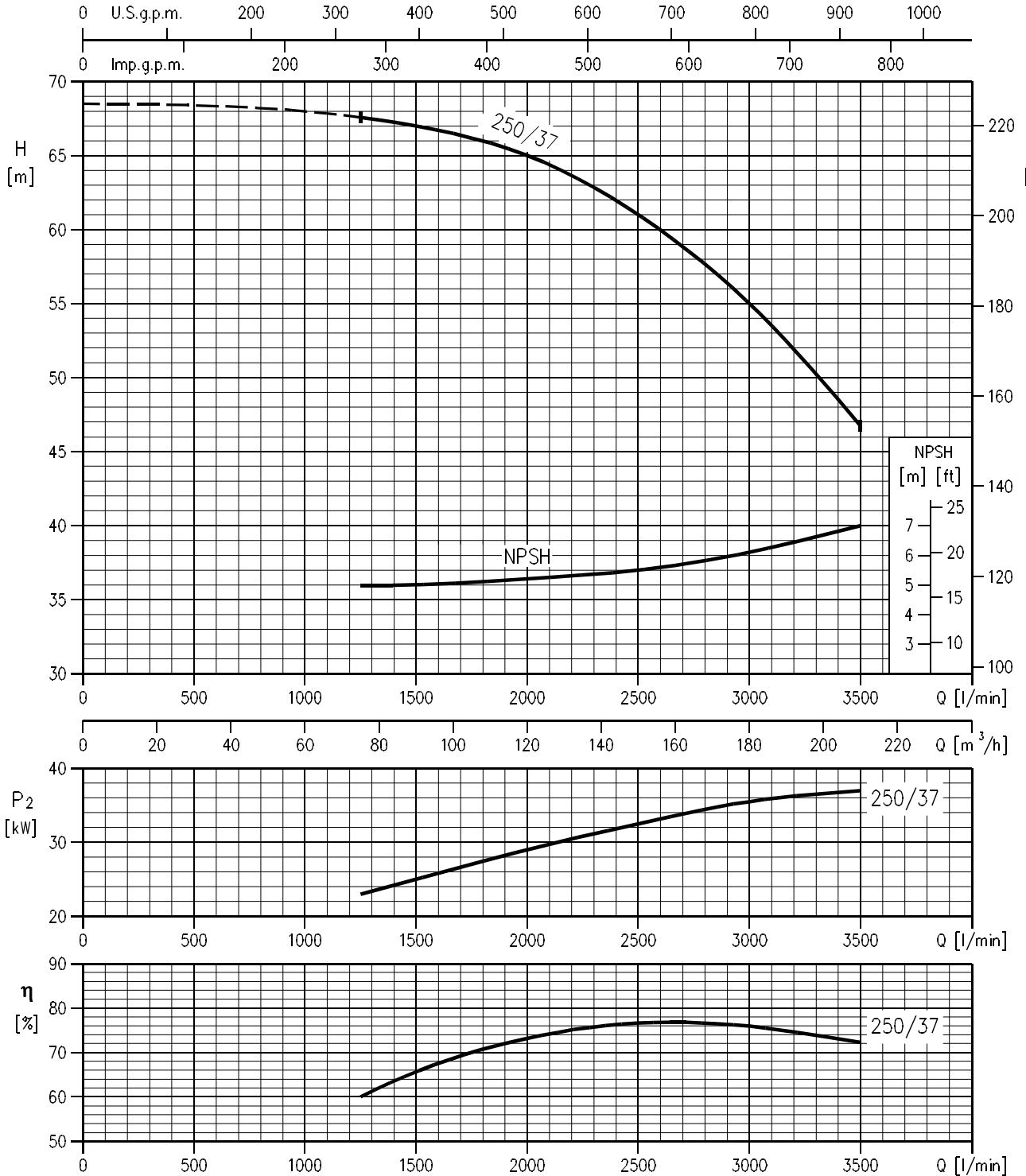
Rev. A

LPC 100-200/18.5 (18.5 kW) MEI > 0.40 Impeller diameter = 180 mm
 LPC 100-200/22 (22 kW) MEI > 0.40 Impeller diameter = 190 mm
 LPC 100-200/30 (30 kW) MEI > 0.40 Impeller diameter = 205 mm
 LPC 100-200/37 (37 kW) MEI > 0.40 Impeller diameter = 209 mm



Rotation speed ≈ 2900 min⁻¹
 Test standard: ISO 9906 – Annex A

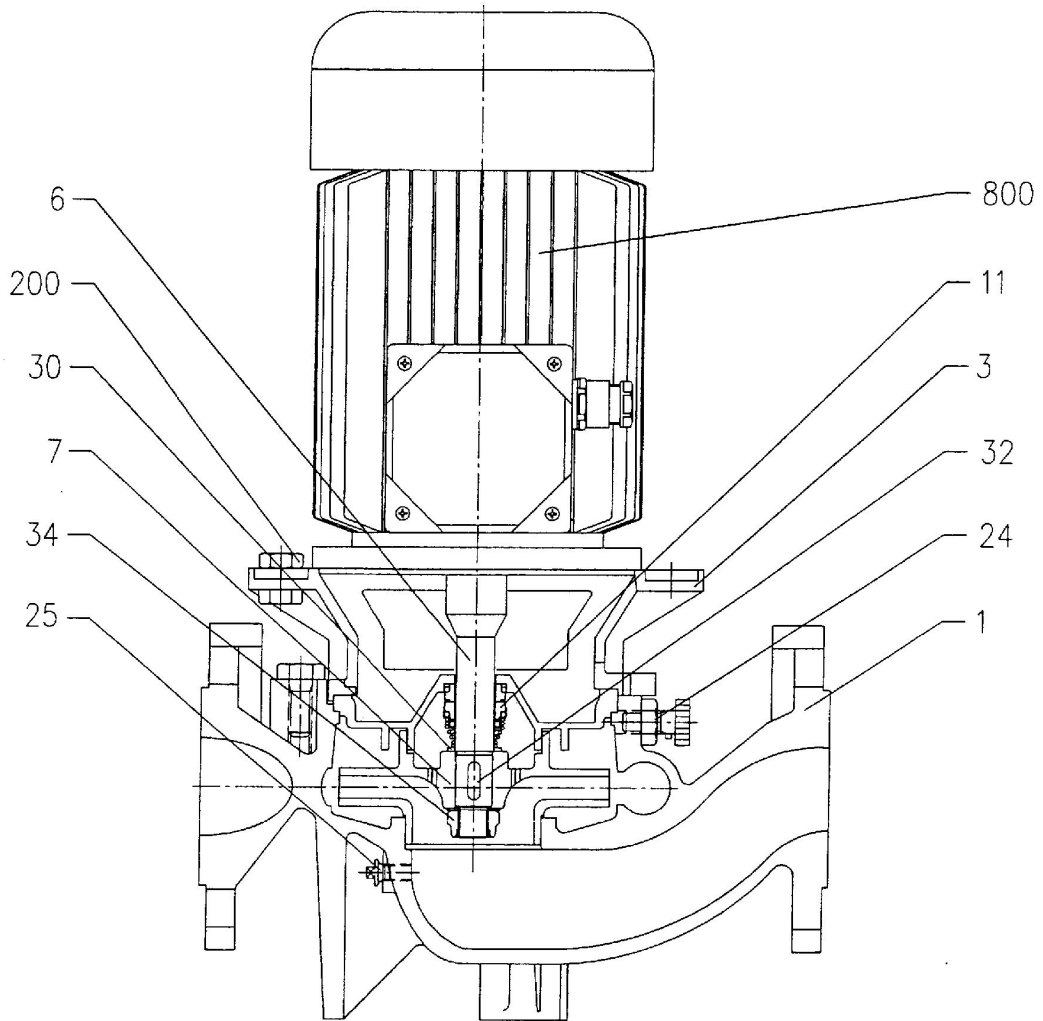
LPC 100-250/37 (37 kW) MEI > 0.40 Impeller diameter = 226 mm



Rotation speed ≈ 2900 min⁻¹
 Test standard: ISO 9906 – Annex A

SECTIONAL VIEW DRAWING

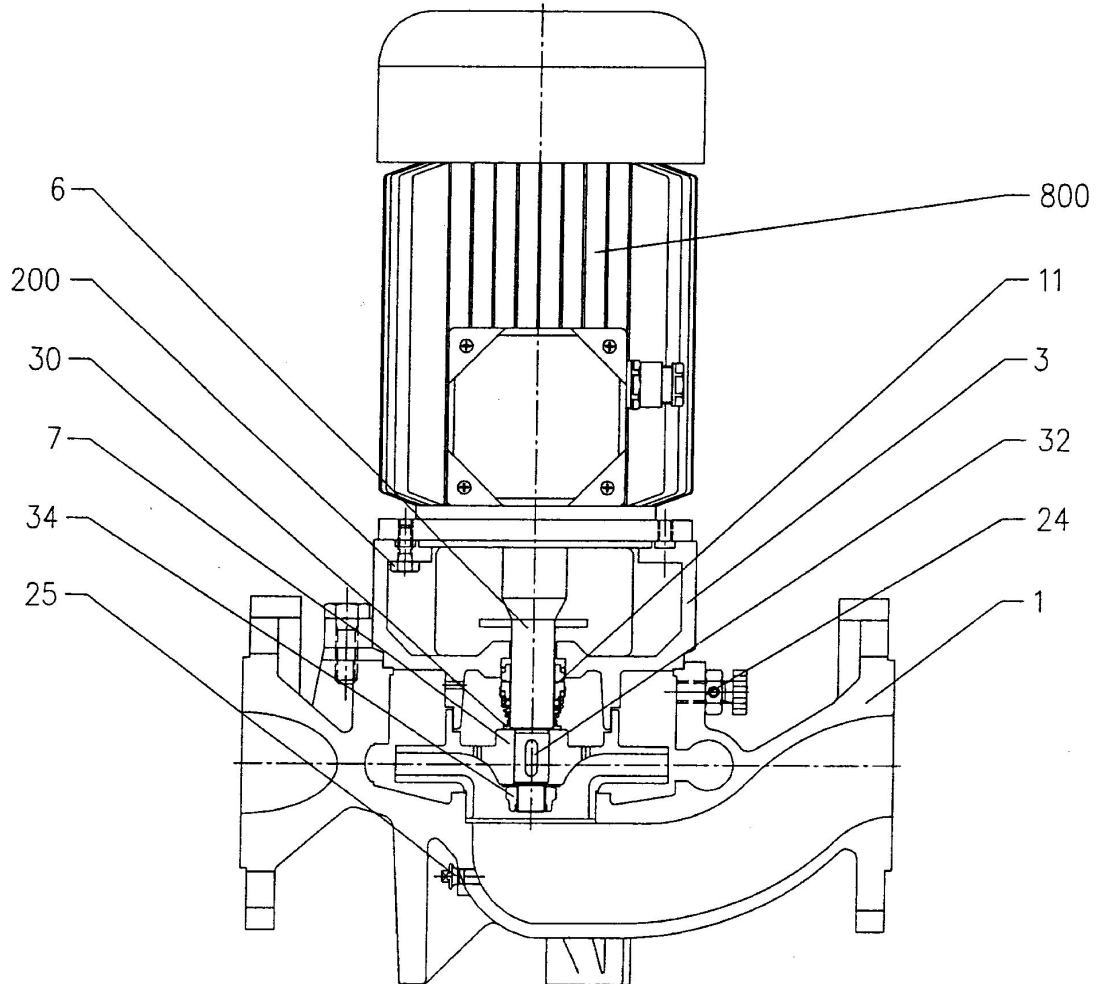
UP TO MEC 160



N°	PART NAME	MATERIAL
1	Casing	Cast Iron
3	Motor bracket	Cast Iron
6	Shaft with rotor	AISI 420
7	Impeller	Cast Iron
11	Mechanical seal	Carbon/SiC/EPDM
24	Priming plug	Stainless Steel
25	Drain plug	Stainless Steel
30	Spacer	Stainless steel
32	Key	Stainless steel
34	Impeller nut	Stainless steel
200	Screw	Stainless steel
800	Motor frame with stator	Alluminum (up to MEC 160)

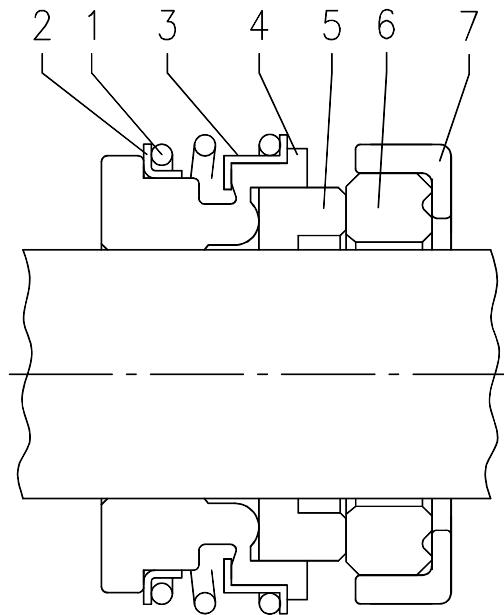
SECTIONAL VIEW DRAWING

MEC 180 AND MORE POWERFUL



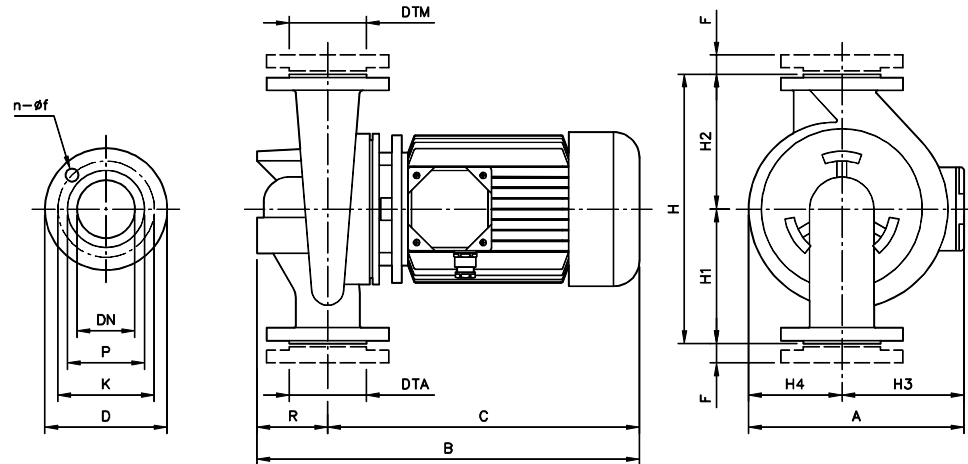
N°	PART NAME	MATERIAL
1	Casing	Cast Iron
3	Motor bracket	Cast Iron
6	Shaft with rotor	AISI 420
7	Impeller	Cast Iron
11	Mechanical seal	Carbon/SiC/EPDM
24	Priming plug	Stainless Steel
25	Drain plug	Stainless Steel
30	Spacer	Stainless steel
32	Key	Stainless steel
34	Impeller nut	Stainless steel
200	Screw	Stainless steel
800	Motor frame with stator	Cast iron (MEC 180 and above)

MECHANICAL SEAL



REF	PART NAME	MATERIAL (Max temperature: +110°C)
1	Spring	AISI 316
2	O Ring	EPDM
3	Frame	AISI 316
4	O Ring	EPDM
5	Rotating part	Carbon
6	Fixed part	SiC
7	Rubber cover	EPDM

PUMP LPC



three phase	Dimensions (mm)																	Weight (kgf)
	DTAM	DNAM	n	f	P	K	D	H	H1	H2	H3	H4	R	F	A	B	C	
LPC 32-100/0.37	G 1 1/4	32PN10	4	14	70	90	120	220	110	110	112	65	65	16	177	379	314	12
LPC 40-100/0.55	G 1 1/2	40PN10	4	14	80	100	130	260	140	120	112	77	90	16	189	407	317	16
LPC 40-100/0.75	G 1 1/2	40PN10	4	14	80	100	130	260	140	120	129	77	90	16	206	424	334	18
LPC 40-125/0.75	G 1 1/2	40PN16	4	18	88	110	150	300	160	140	129	93	100	20	222	446	346	26
LPC 40-125/1.1	G 1 1/2	40PN16	4	18	88	110	150	300	160	140	129	93	100	20	222	446	346	27
LPC 40-125/1.5	G 1 1/2	40PN16	4	18	88	110	150	300	160	140	129	93	100	20	222	446	346	29
LPC 40-160/2.2	G 1 1/2	40PN16	4	18	88	110	150	320	170	150	138	108	100	20	246	481	381	31
LPC 40-160/3R	G 1 1/2	40PN16	4	18	88	110	150	320	170	150	145	108	100	20	253	520	420	40
LPC 40-160/3.0	G 1 1/2	40PN16	4	18	88	110	150	320	170	150	145	108	100	20	253	520	420	42
LPC 40-200/4.0	G 1 1/2	40PN16	4	18	88	110	150	380	200	180	145	127	100	20	272	520	420	50
LPC 40-200/5.5	G 1 1/2	40PN16	4	18	88	110	150	380	200	180	160	127	100	20	287	542	442	57
LPC 40-200/7.5	G 1 1/2	40PN16	4	18	88	110	150	380	200	180	160	127	100	20	287	564	464	60
LPC 50-125/1.5	G 2	50PN16	4	18	102	125	165	322	182	140	129	103	110	22	232	456	346	28
LPC 50-125/2.2	G 2	50PN16	4	18	102	125	165	322	182	140	138	103	110	22	241	491	381	30
LPC 50-125/3.0	G 2	50PN16	4	18	102	125	165	322	182	140	145	103	110	22	248	530	420	37
LPC 50-160/3.0	G 2	50PN16	4	18	102	125	165	340	180	160	145	113	110	22	258	530	420	37
LPC 50-160/4.0	G 2	50PN16	4	18	102	125	165	340	180	160	145	113	110	22	258	530	420	42
LPC 50-200/5.5	G 2	50PN16	4	18	102	125	165	400	220	180	160	131	110	22	291	552	442	58
LPC 50-200/7.5R	G 2	50PN16	4	18	102	125	165	400	220	180	160	131	110	22	291	574	464	61
LPC 50-200/7.5	G 2	50PN16	4	18	102	125	165	400	220	180	160	131	110	22	291	574	464	61
LPC 65-125/2.2	G 2 1/2	65PN16	4	18	122	145	185	360	205	155	138	108	140	22	246	521	381	36
LPC 65-125/3.0	G 2 1/2	65PN16	4	18	122	145	185	360	205	155	145	108	140	22	253	560	420	43
LPC 65-125/4.0	G 2 1/2	65PN16	4	18	122	145	185	360	205	155	145	108	140	22	253	560	420	44
LPC 65-160/5.5	G 2 1/2	65PN16	4	18	122	145	185	400	220	180	160	122	140	22	282	582	442	56
LPC 65-160/7.5	G 2 1/2	65PN16	4	18	122	145	185	400	220	180	160	122	140	22	282	604	464	58
LPC 65-200/11	G 2 1/2	65PN16	4	18	122	145	185	440	240	200	194	136	140	22	330	679	539	83
LPC 65-200/15	G 2 1/2	65PN16	4	18	122	145	185	440	240	200	194	136	140	22	330	730	590	86
LPC 80-160/11	G 3	80PN16	8	18	138	160	200	440	240	200	194	131	160	24	325	719	559	85
LPC 80-160/15R	G 3	80PN16	8	18	138	160	200	440	240	200	194	131	160	24	325	770	610	86
LPC 80-160/15	G 3	80PN16	8	18	138	160	200	440	240	200	194	131	160	24	325	770	610	86
LPC 80-200/15	G 3	80PN16	8	18	138	160	200	500	275	225	194	146	160	24	340	770	610	92
LPC 80-200/18.5	G 3	80PN16	8	18	138	160	200	500	275	225	238	146	160	24	384	867	707	129
LPC 80-200/22	G 3	80PN16	8	18	138	160	200	500	275	225	238	146	160	24	384	867	707	139
LPC 100-160/11	G 4	100PN16	8	18	158	180	220	525	300	225	194	136	190	26	330	800	610	89
LPC 100-160/15R	G 4	100PN16	8	18	158	180	220	525	300	225	194	136	190	26	330	800	610	92
LPC 100-160/15	G 4	100PN16	8	18	158	180	220	525	300	225	194	136	190	26	330	800	610	93
LPC 100-200/18.5	G 4	100PN16	8	18	158	180	220	550	300	250	238	156	190	26	394	929	739	140
LPC 100-200/22	G 4	100PN16	8	18	158	180	220	550	300	250	238	156	190	26	394	929	739	150
LPC 100-200/30	G 4	100PN16	8	18	158	180	220	550	300	250	305	156	190	26	461	1047	857	287
LPC 100-200/37	G 4	100PN16	8	18	158	180	220	550	300	250	305	156	190	26	461	1047	857	320
LPC 100-250/37	G 4	100PN16	8	18	158	180	220	600	320	280	305	176	190	26	506	1047	857	327

MOTOR DATA

Pump type Three Phase	Power		Efficiency	Input [kW]	Efficiency (% load) and power-factor				Full load current [A]			Locked rotor current [A]		
	[kW]	[HP]			η %			cos-φ	230 V	400 V	690 V	230 V	400 V	690 V
					50%	75%	100%							
LPC 32-100/0,37	0,37	0,5	-	0,58	54,0	58,0	65,0	0,70	2,1	1,2	-	9,5	5,5	-
LCP 40-100/0,55	0,55	0,75	-	0,80	57,0	64,0	71,0	0,77	2,6	1,5	-	12,5	7,2	-
LPC 40-100/0,75	0,75	1,0	IE2	0,92	77,3	78,5	80,5	0,78	3,0	1,7	-	24,7	14,3	-
LPC 40-125/0,75	0,75	1,0	IE2	0,92	77,3	78,5	80,5	0,78	3,0	1,7	-	24,7	14,3	-
LPC 40-125/1,1	1,1	1,5	IE2	1,35	79,5	81,2	81,5	0,78	4,3	2,5	-	41,1	23,8	-
LPC 40-125/1,5	1,5	2,0	IE2	1,83	80,5	82,1	82,4	0,78	5,9	3,4	-	45,9	26,5	-
LPC 40-160/2,2	2,2	3,0	IE2	2,59	82,5	84,0	84,0	0,85	7,6	4,4	-	76,9	44,4	-
LPC 40-160/3R	3,0	4,0	IE2	3,43	84,1	85,8	85,5	0,84	10,3	5,9	-	105,3	60,8	-
LPC 40-160/3	3,0	4,0	IE2	3,43	84,1	85,8	85,5	0,84	10,3	5,9	-	105,3	60,8	-
LPC 40-200/4	4,0	5,5	IE2	4,64	85,2	86,4	86,1	0,86	13,6	7,8	-	140,5	81,1	-
LPC 40-200/5,5	5,5	7,5	IE2	6,34	85,8	87,4	87,3	0,88	-	10,4	6,0	-	102,9	59,4
LPC 40-200/7,5	7,5	10,0	IE3	8,38	88,0	89,7	90,1	0,84	-	14,4	8,3	-	149,7	86,4
LPC 50-125/1,5	1,5	2,0	IE2	1,83	80,5	82,1	82,4	0,78	5,9	3,4	-	45,9	26,5	-
LPC 50-125/2,2	2,2	3,0	IE2	2,59	82,5	84,0	84,0	0,85	7,6	4,4	-	76,9	44,4	-
LPC 50-125/3	3,0	4,0	IE2	3,43	84,1	85,8	85,5	0,84	10,3	5,9	-	105,3	60,8	-
LPC 50-160/3	3,0	4,0	IE2	3,43	84,1	85,8	85,5	0,84	10,3	5,9	-	105,3	60,8	-
LPC 50-160/4	4,0	5,5	IE2	4,64	85,2	86,4	86,1	0,86	13,6	7,8	-	140,5	81,1	-
LPC 50-200/5,5	5,5	7,5	IE2	6,34	85,8	87,4	87,3	0,88	-	10,4	6,0	-	102,9	59,4
LPC 50-200/7,5R	7,5	10,0	IE3	8,38	88,0	89,7	90,1	0,84	-	14,4	8,3	-	149,7	86,4
LPC 50-200/7,5	7,5	10,0	IE3	8,38	88,0	89,7	90,1	0,84	-	14,4	8,3	-	149,7	86,4
LPC 65-125/2,2	2,2	3,0	IE2	2,59	82,5	84,0	84,0	0,85	7,6	4,4	-	76,9	44,4	-
LPC 65-125/3	3,0	4,0	IE2	3,43	84,1	85,8	85,5	0,84	10,3	5,9	-	105,3	60,8	-
LPC 65-125/4	4,0	5,5	IE2	4,64	85,2	86,4	86,1	0,86	13,6	7,8	-	140,5	81,1	-
LPC 65-160/5,5	5,5	7,5	IE2	6,34	85,8	87,4	87,3	0,88	-	10,4	6,0	-	102,9	59,4
LPC 65-160/7,5	7,5	10,0	IE3	8,38	88,0	89,7	90,1	0,84	-	14,4	8,3	-	149,7	86,4
LPC 65-200/11	11,0	15,0	IE3	12,27	90,0	90,8	91,2	0,89	-	19,9	11,5	-	193,0	111,4
LPC 65-200/15	15,0	20,0	IE3	16,33	91,0	92,2	91,9	0,88	-	26,8	15,5	-	257,3	148,5
LPC 80-160/11	11,0	15,0	IE3	12,27	90,0	90,8	91,2	0,89	-	19,9	11,5	-	193,0	111,4
LPC 80-160/15R	15,0	20,0	IE3	16,33	91,0	92,2	91,9	0,88	-	26,8	15,5	-	257,3	148,5
LPC 80-160/15	15,0	20,0	IE3	16,33	91,0	92,2	91,9	0,88	-	26,8	15,5	-	257,3	148,5
LPC 80-200/18,5	18,5	25,0	IE3	20,12	91,6	92,8	92,4	0,88	-	33,0	19,0	-	353,1	203,9
LPC 80-200/22	22,0	30,0	IE3	23,75	92,2	93,7	92,7	0,87	-	39,4	22,5	-	409,8	236,6
LPC 100-160/11	11,0	15,0	IE3	12,27	90,0	90,8	91,2	0,89	-	19,9	11,5	-	193,0	111,4
LPC 100-160/15R	15,0	20,0	IE3	16,33	91,0	92,2	91,9	0,88	-	26,8	15,5	-	257,3	148,5
LPC 100-160/15	15,0	20,0	IE3	16,33	91,0	92,2	91,9	0,88	-	26,8	15,5	-	257,3	148,5
LPC 100-200/18,5	18,5	25,0	IE3	20,12	91,6	92,8	92,4	0,88	-	33,0	19,0	-	353,1	203,9
LPC 100-200/22	22,0	30,0	IE3	23,75	92,2	93,7	92,7	0,87	-	39,4	22,5	-	409,8	236,6
LPC 100-200/30	30,0	40,0	IE3	32,12	91,4	93,3	93,3	0,89	-	52,1	30,0	-	390,8	225,6
LPC 100-200/37	37,0	50,0	IE3	39,47	91,8	93,7	93,7	0,91	-	62,6	36,0	-	469,5	271,1
LPC 100-250/37	37,0	50,0	IE3	39,47	91,8	93,7	93,7	0,91	-	62,6	36,0	-	469,5	271,1

NOISE DATA

Pump type Three Phase	Power		L _{pA} - dB(A) *
	[kW]	[HP]	
LPC 32-100/0,37	0,37	0,5	<70
LPC 40-100/0,55	0,55	0,75	
LPC 40-100/0,75	0,75	1	
LPC 40-125/0,75	0,75	1	
LPC 40-125/1,1	1,1	1,5	
LPC 40-125/1,5	1,5	2	
LPC 40-160/2,2	2,2	3	
LPC 40-160/3R	3	4	72
LPC 40-160/3	3	4	78
LPC 40-200/4	4	5,5	
LPC 40-200/5,5	5,5	7,5	80
LPC 40-200/7,5	7,5	10	
LPC 50-125/1,5	1,5	2	<70
LPC 50-125/2,2	2,2	3	72
LPC 50-125/3	3	4	
LPC 50-160/3	3	4	78
LPC 50-160/4	4	5,5	
LPC 50-200/5,5	5,5	7,5	80
LPC 50-200/7,5R	7,5	10	
LPC 50-200/7,5	7,5	10	<70
LPC 65-125/2,2	2,2	3	
LPC 65-125/3	3	4	72
LPC 65-125/4	4	5,5	78
LPC 65-160/5,5	5,5	7,5	
LPC 65-160/7,5	7,5	10	80
LPC 65-200/11	10	13,6	
LPC 65-200/15	12,5	17	
LPC 80-160/11	10	13,6	
LPC 80-160/15R	12,5	17	
LPC 80-160/15	15	20	
LPC 80-200/15	20	15	
LPC 80-200/18,5	18,5	25	81
LPC 80-200/22	22	30	
LPC 100-160/11	10	13,6	80
LPC 100-160/15R	12,5	17	
LPC 100-160/15	15	20	
LPC 100-200/18,5	18,5	25	81
LPC 100-200/22	22	30	
LPC 100-200/30	30	40	83
LPC 100-200/37	37	55	
LPC 100-250/37	37	55	

* Mean value of several measures at 1m distance around the pump.
Tolerance ± 2.5 dB.