

1 UPS 32-100 180



95906500

3-

*
*
*
*
*
*

, PES/PP.

1-

: -25 .. 110 °C
60 °C
983.2 / 3

TF

110
: CE

EN-JL1030
ASTM 30 B
, PES/PP

80 0C: 40 °C

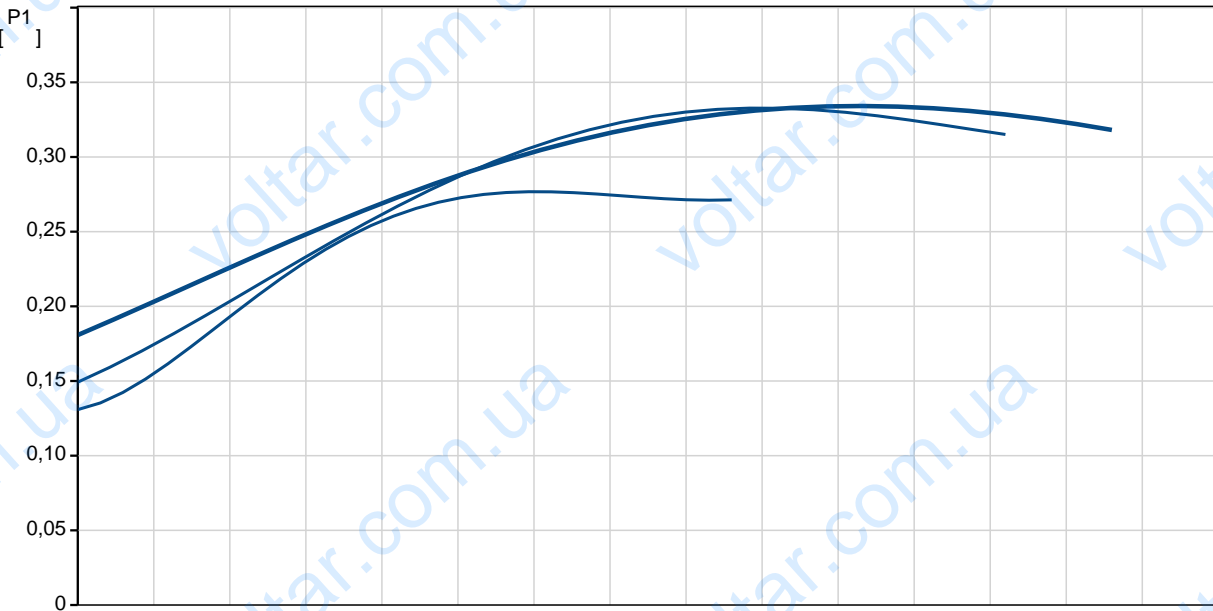
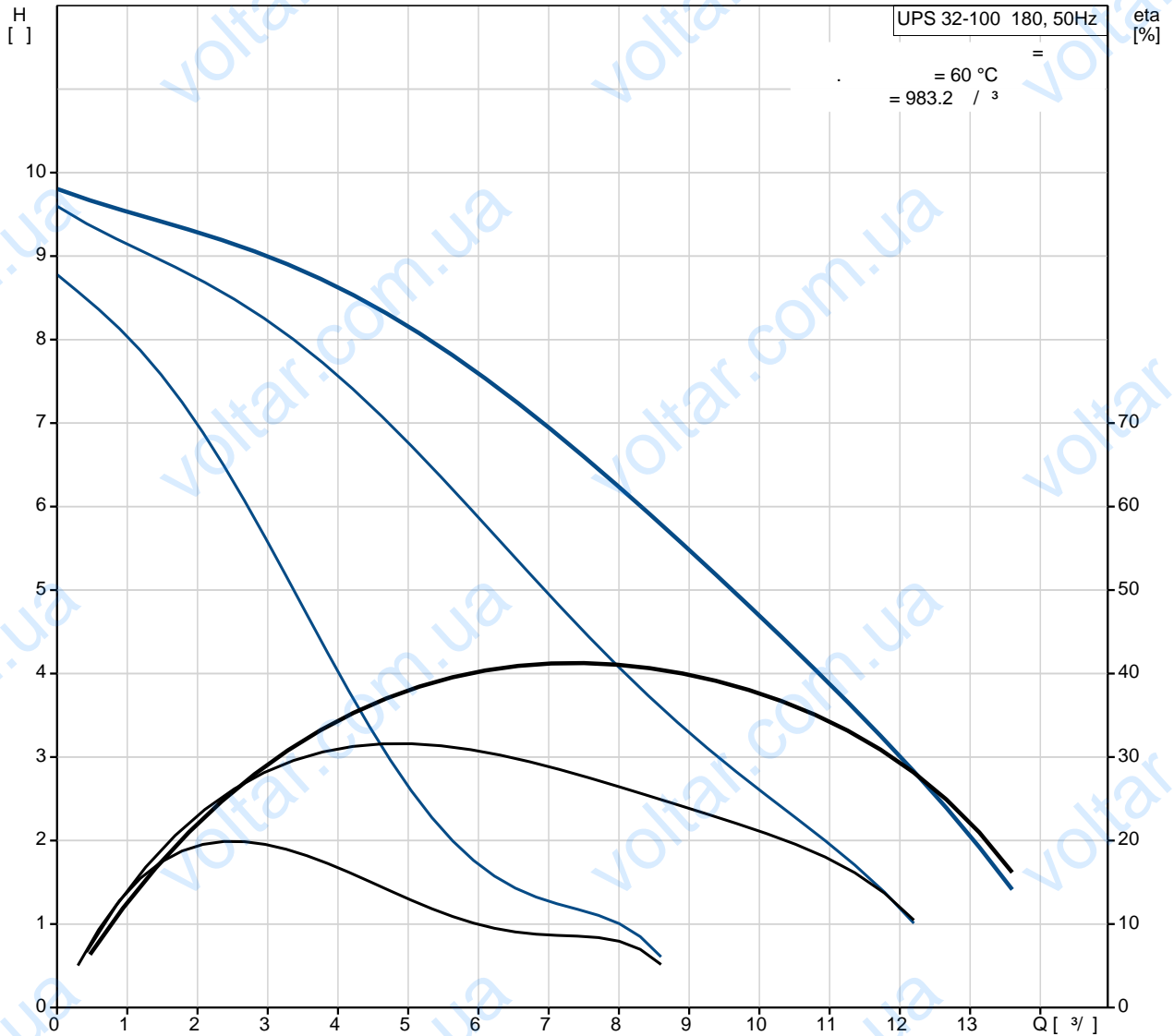
10
G 2
PN 10
180

C

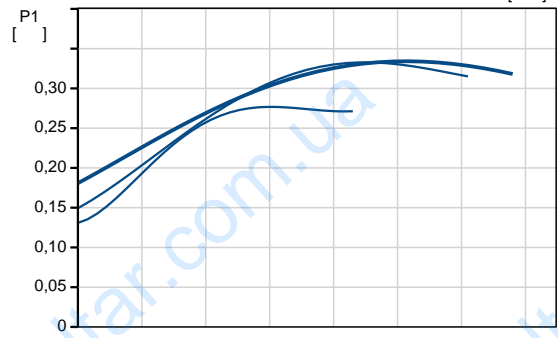
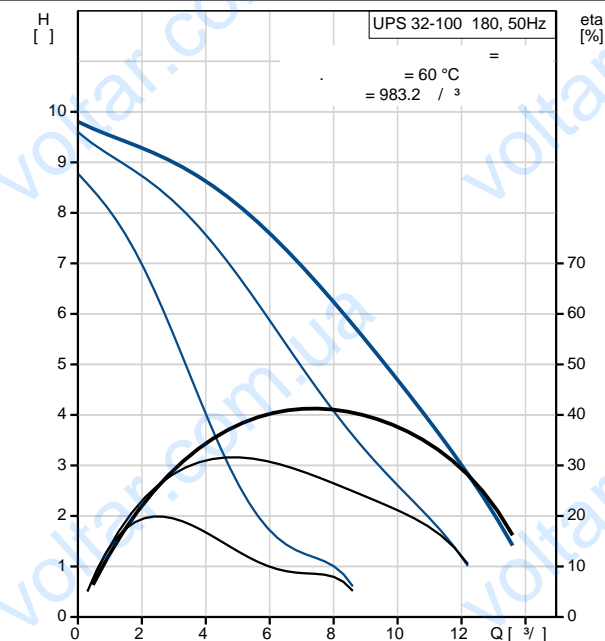
9.5
1: 280
2: 340
345

:	50 Hz
:	1 x 230 V
1:	1.3 A
2:	1.5 A
3:	1.52 A
-	: 9.5
(IEC 34-5):	X4D
(IEC 85):	H
:	
:	6.4
:	6.9
:	0.012 ³

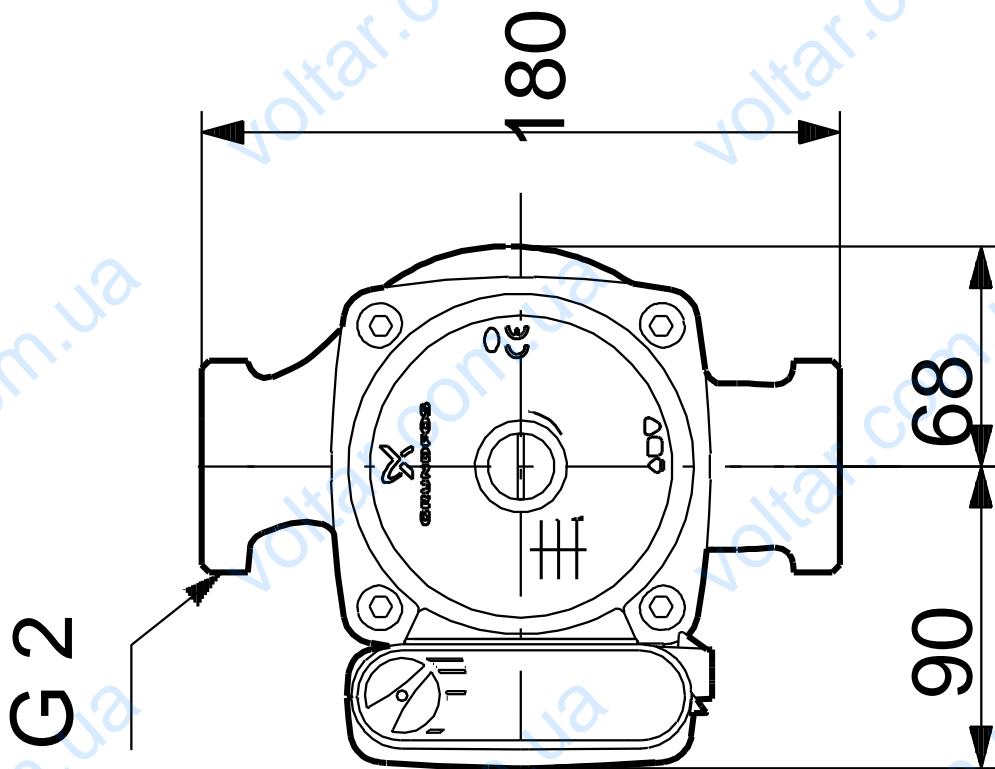
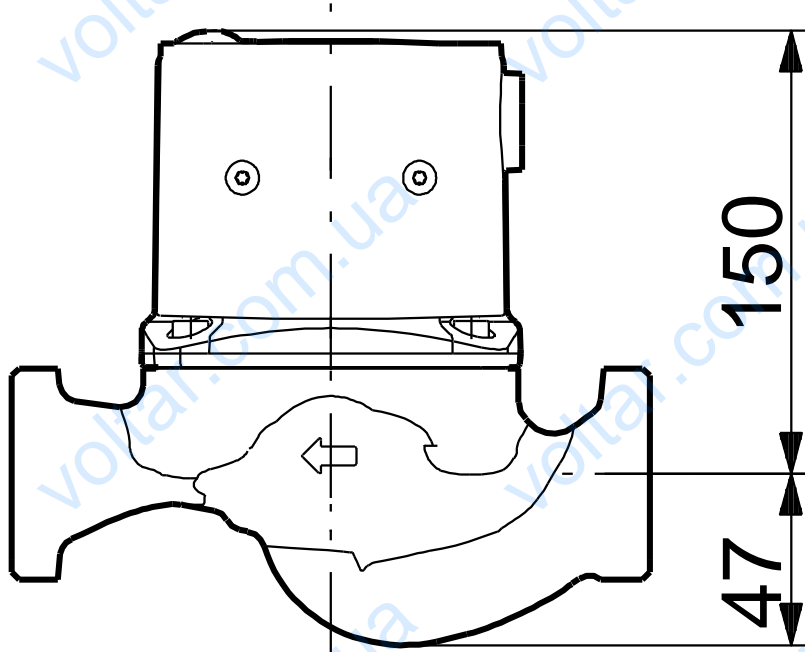
95906500 UPS 32-100 180 50



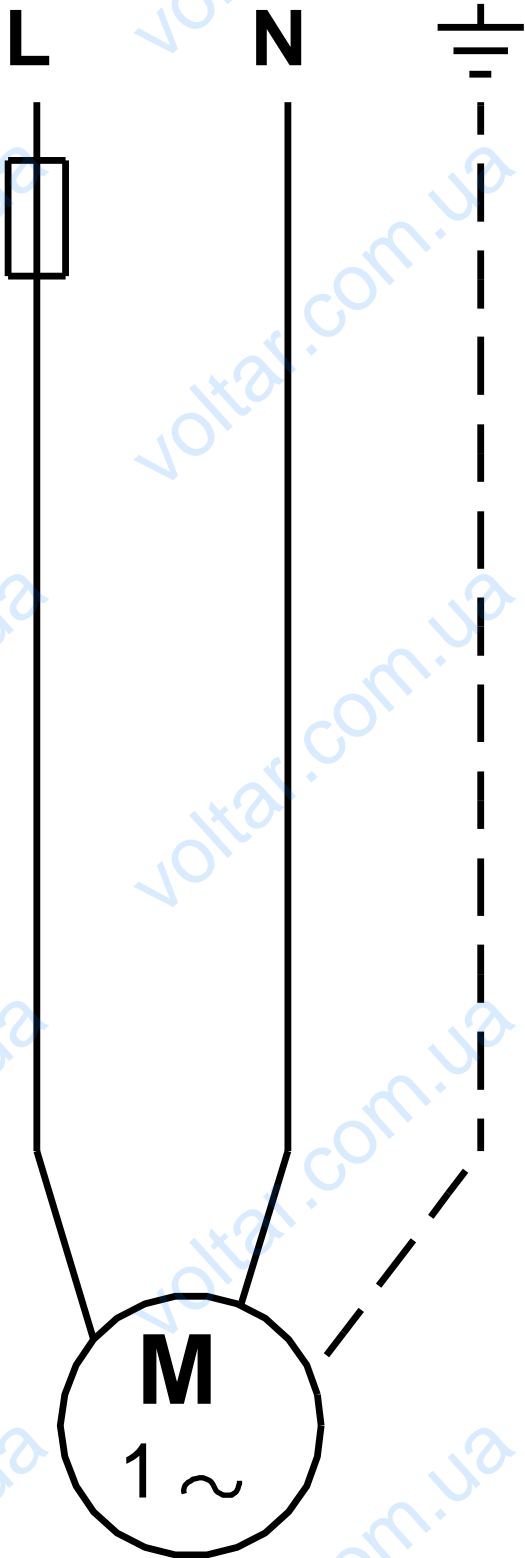
		UPS 32-100 180
		95906500
EAN		5700312073079
		3
		100
TF		110
		CE
		EN-JL1030
		ASTM 30 B
		, PES/PP
		40 °C
T	80 OC:	40 °C
		10
		G 2
		PN 10
		180
		-25 .. 110 °C
		60 °C
		983.2 / ³
C		9.5
		1: 280
		2: 340
		345
		50 Hz
		1 x 230 V
		1: 1.3 A
		2: 1.5 A
		3: 1.52 A
		9.5
(IEC 34-5):		X4D
(IEC 85):		H
		CONTACT
		9H
		6.4
		6.9
		0.012 ³



95906500 UPS 32-100 180 50



95906500 UPS 32-100 180 50



! [], .