

1 UPS 50-180 F



: 96402136

\* 3  
\*  
\*  
\*  
\*  
\*  
\*

- 3 -

: -10 .. 120 °C  
60 °C  
983.2 / 3

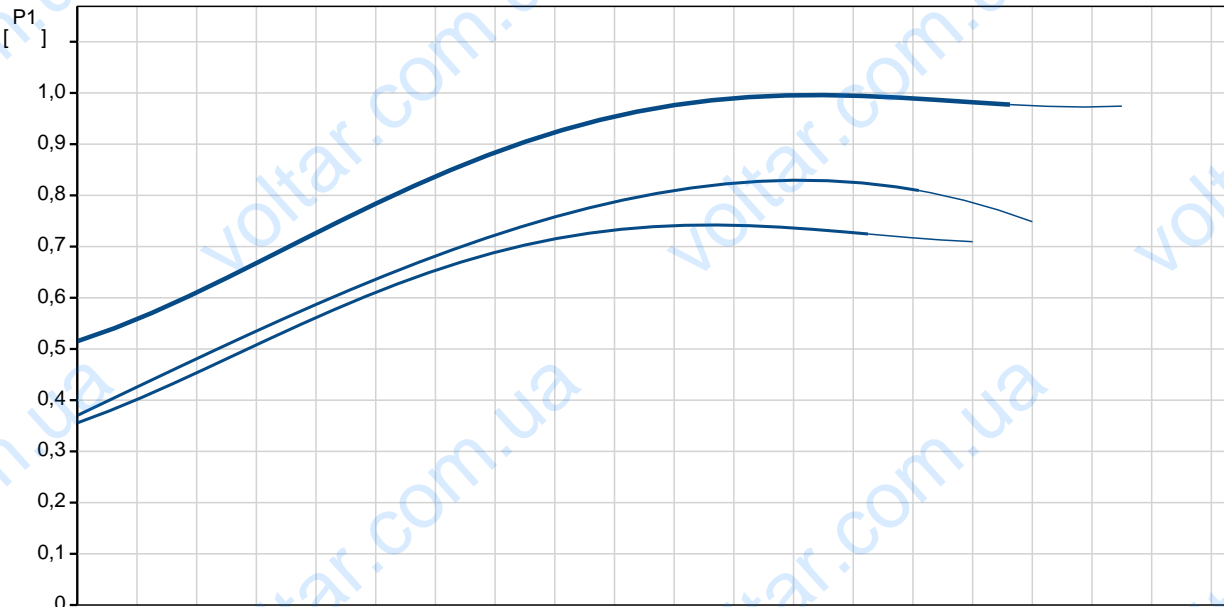
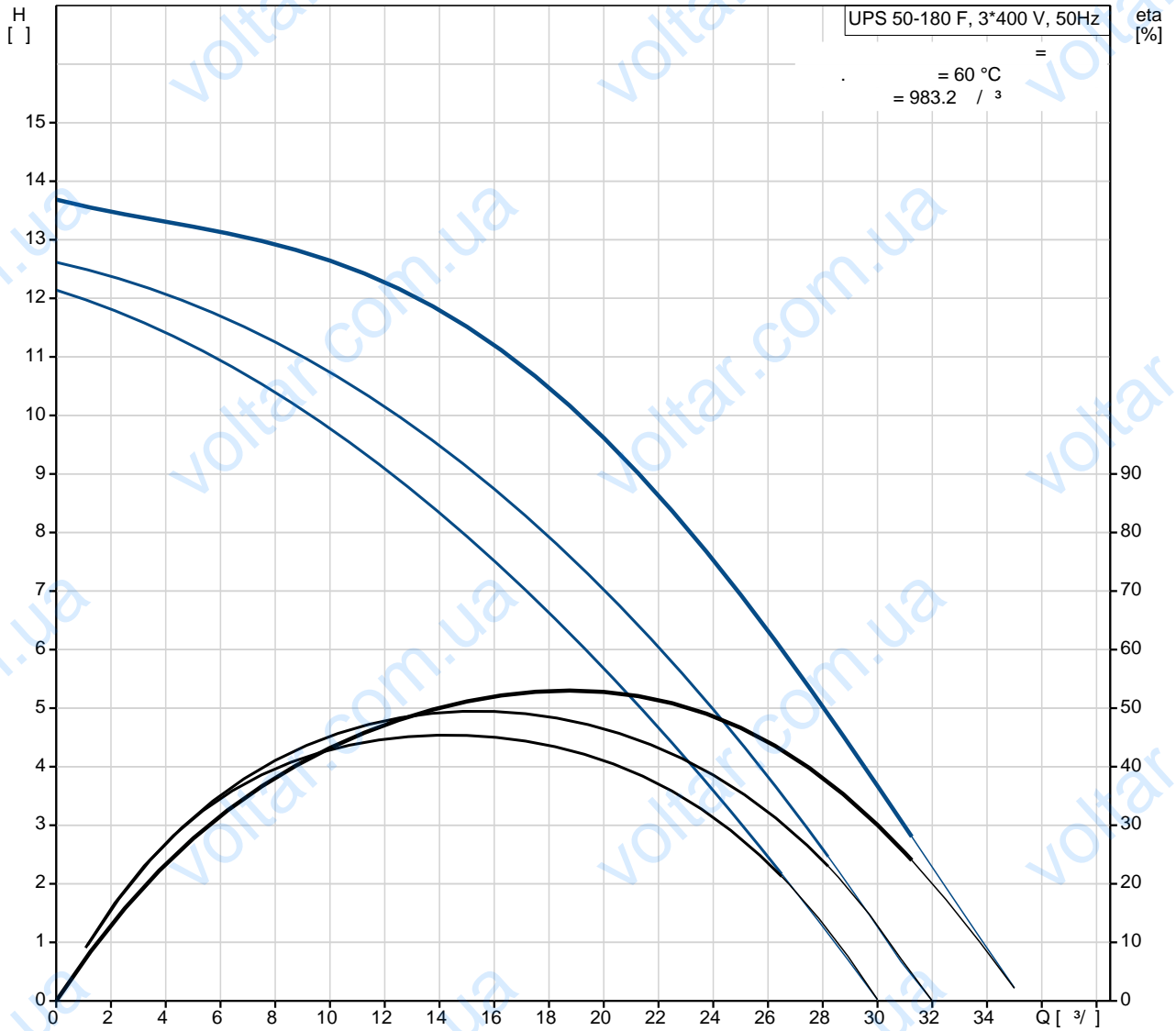
: AAA,EAC

EN-JL1040  
ASTM 35 B - 40 B

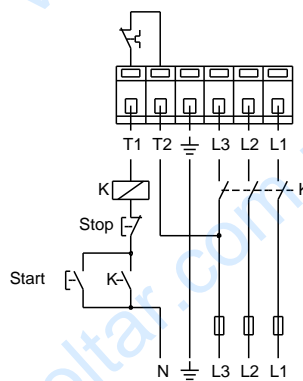
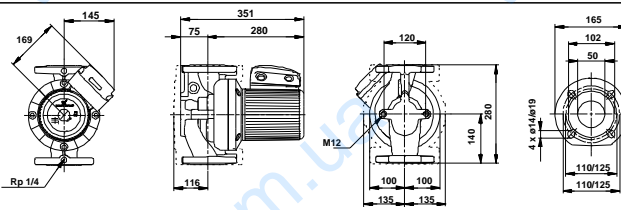
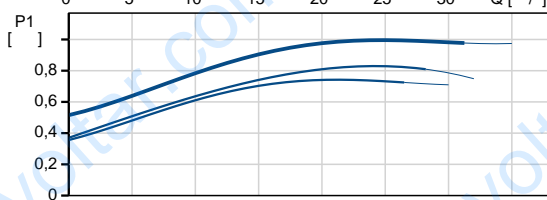
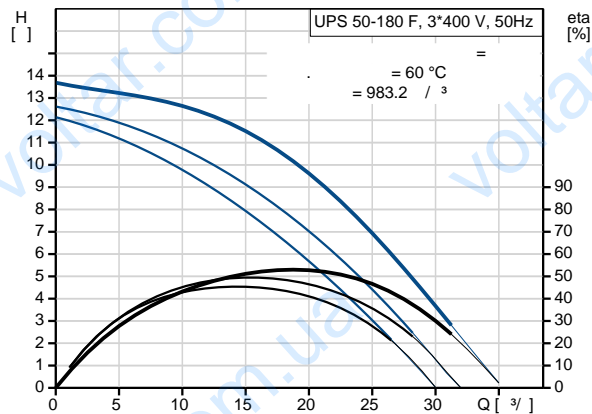
DIN W.-Nr. 1.4301  
AISI 304

			: 0 .. 40 °C
		10	
		DIN	
		DN 50	
		PN 6 / PN 10	
		280	
		- :	
			1: 760
			2: 850
			1000
			50 Hz
			3 x 400-415 V
		1:	1.25 A
		2:	1.4 A
		3:	2 A
Cos	1:		0,88
Cos	2:		0,88
Cos	:		0,72
	(IEC 85):		H
Enclosure class (IEC 60529):			X4D
			25.6
			26.9
			0.043 <sup>3</sup>

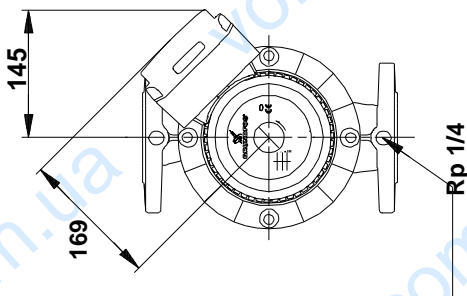
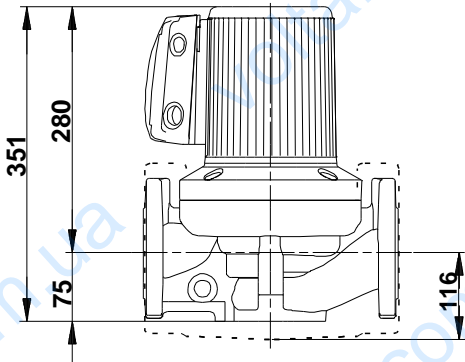
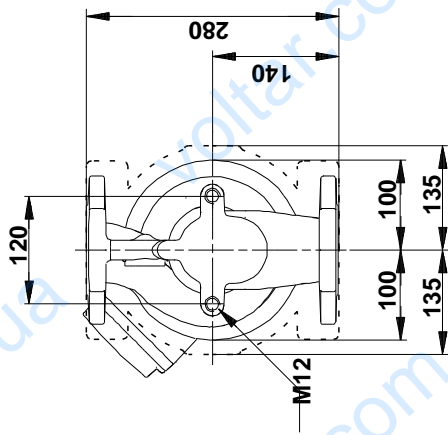
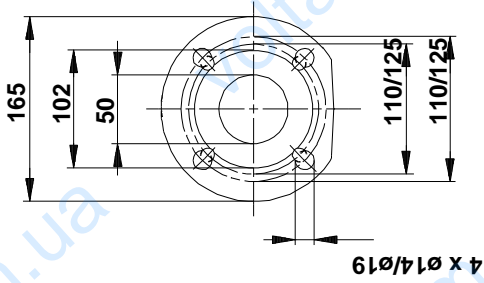
## 96402136 UPS 50-180 F 50



UPS 50-180 F	
96402136	
EAN	5708601058936
3	
180	
AAA,EAC	
EN-JL1040	
ASTM 35 B - 40 B	
DIN W.-Nr. 1.4301	
AISI 304	
0 .. 40 °C	
10	
DIN	
DN 50	
PN 6 / PN 10	
280	
-10 .. 120 °C	
60 °C	
983.2 / ³	
1:	760
2:	850
1000	
50 Hz	
3 x 400-415 V	
1:	1.25 A
2:	1.4 A
3:	2 A
Cos 1:	0,88
Cos 2:	0,88
Cos :	0,72
(IEC 85):	H
Enclosure class (IEC 60529):	X4D
CONTACT	
1.30H	
25.6	
26.9	
0.043 ³	



## 96402136 UPS 50-180 F 50



96402136 UPS 50-180 F 50

