

1 UPS 65-120 F



: 96402278

\* 3  
\*  
\*  
\*  
\*  
\*  
\*

- 1 -

: -10 .. 120 °C  
60 °C  
983.2 / 3

: AAA,EAC

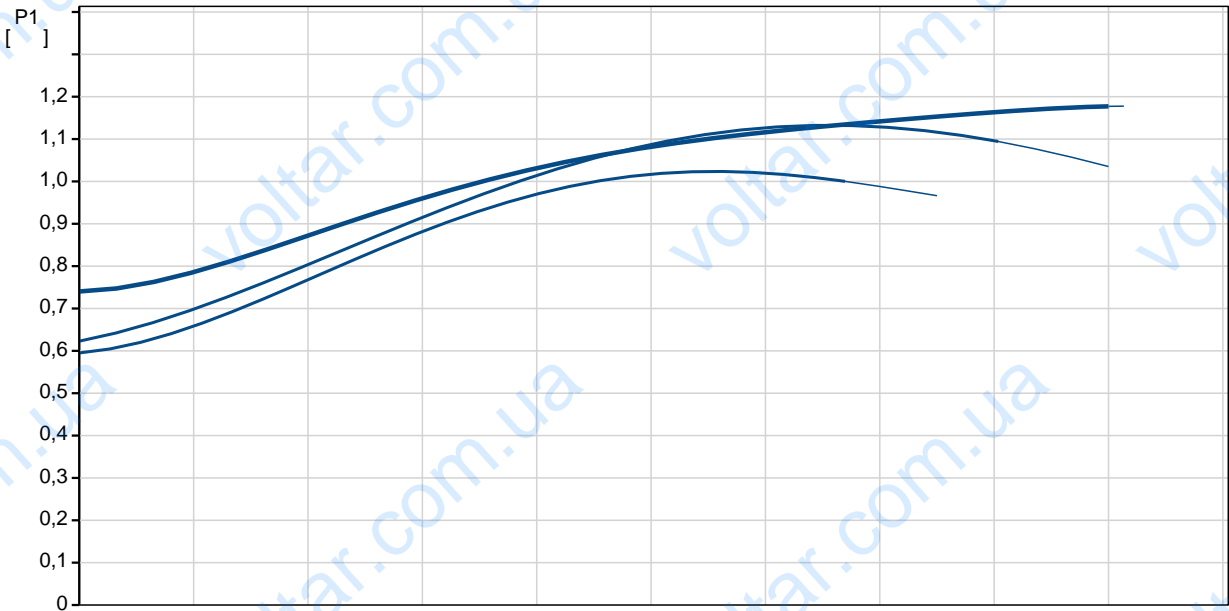
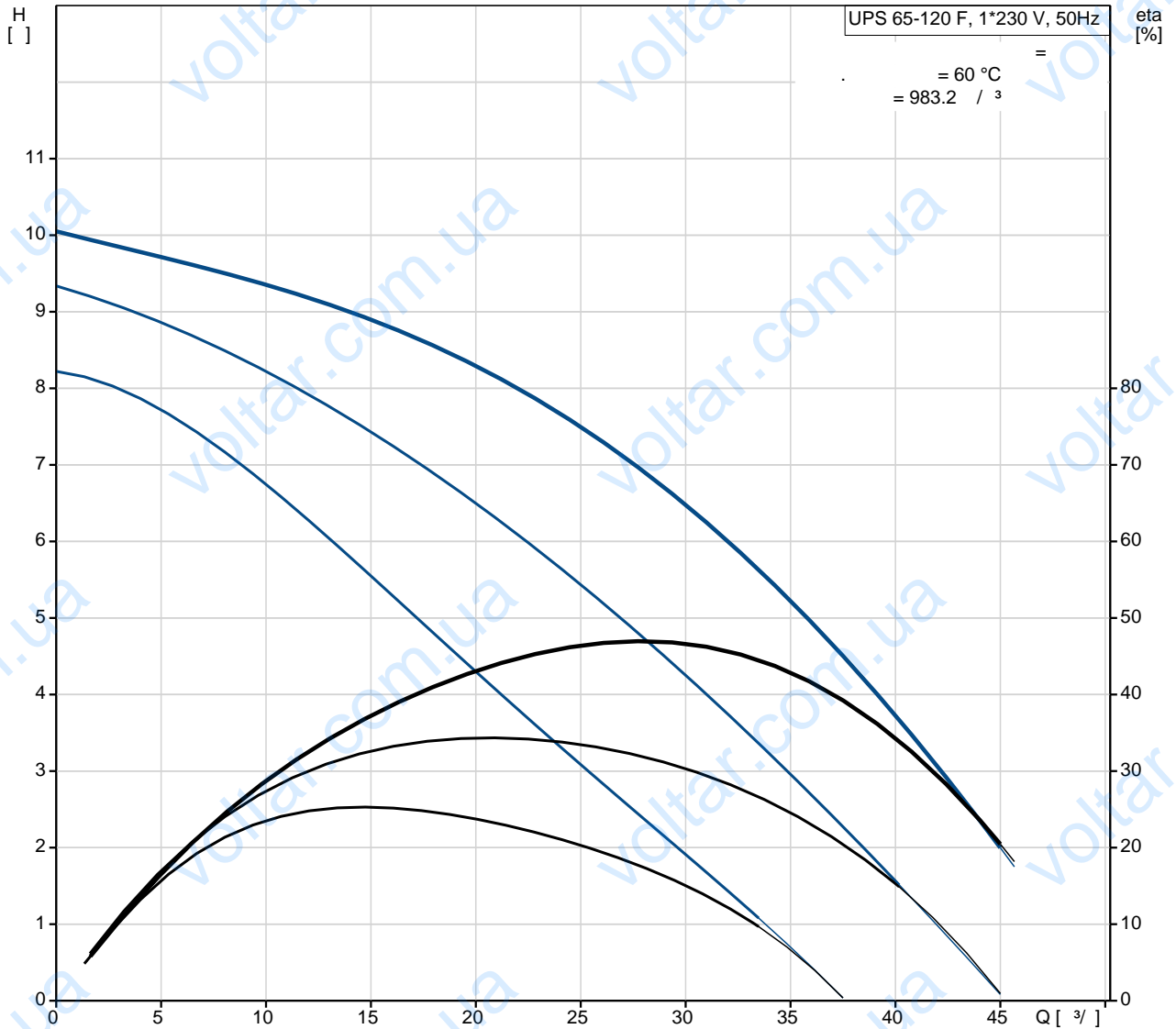
EN-JL1040  
ASTM 35 B - 40 B

DIN W.-Nr. 1.4301  
AISI 304

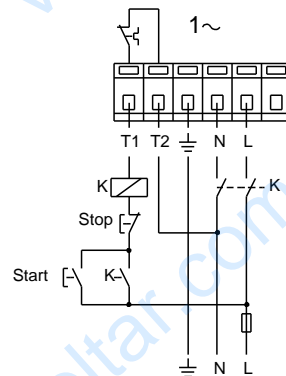
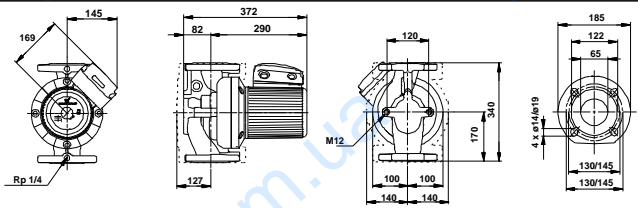
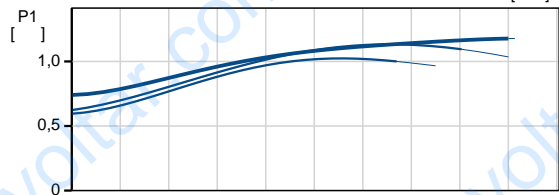
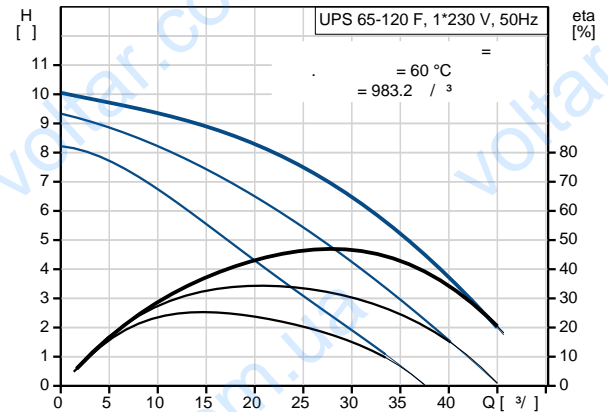
: 0 .. 40 °C  
 : 10  
 : DIN  
 : DN 65  
 : PN 6 / PN 10  
 : 340  
 C : - : 30  
 1: 1050  
 2: 1150  
 : 1200  
 : 50 Hz  
 : 1 x 230-240 V  
 1: 5.1 A  
 2: 5.6 A  
 3: 5.5 A  
 Cos 1: 0,9  
 Cos 2: 0,89  
 Cos : 0,95  
 : 30 /400 V  
 (IEC 85): H  
 Enclosure class (IEC 60529): X4D  
 : 27.2  
 : 33  
 : 0.043 <sup>3</sup>



# 96402278 UPS 65-120 F 50



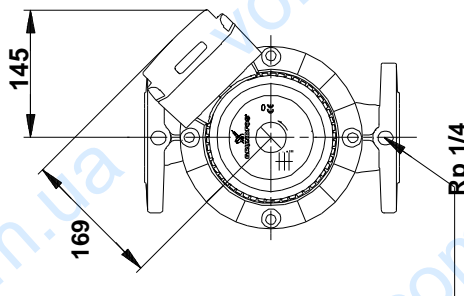
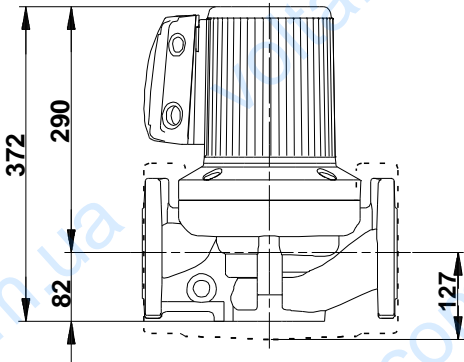
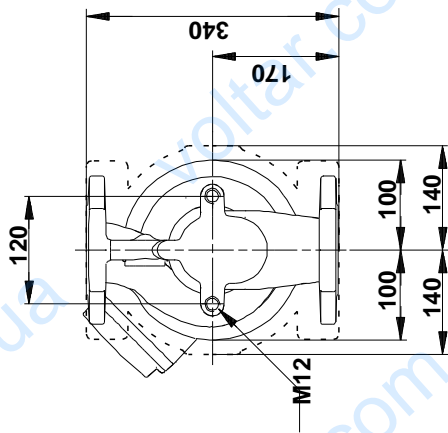
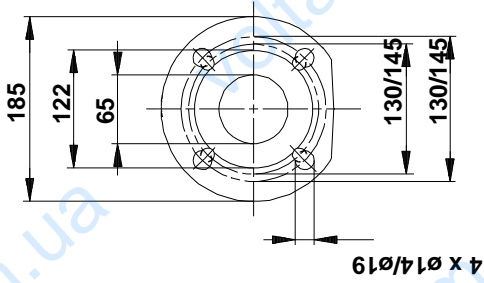
|     |                              |                   |
|-----|------------------------------|-------------------|
|     |                              | UPS 65-120 F      |
|     |                              | 96402278          |
| EAN |                              | 5700390664947     |
|     |                              | 3                 |
|     |                              | 120               |
|     |                              | AAA,EAC           |
|     |                              | EN-JL1040         |
|     |                              | ASTM 35 B - 40 B  |
|     |                              | DIN W.-Nr. 1.4301 |
|     |                              | AISI 304          |
|     |                              | 0 .. 40 °C        |
|     |                              | 10                |
|     |                              | DIN               |
|     |                              | DN 65             |
|     |                              | PN 6 / PN 10      |
|     |                              | 340               |
|     |                              | -10 .. 120 °C     |
|     |                              | 60 °C             |
|     |                              | 983.2 / ³         |
| C   |                              | 30                |
|     | 1:                           | 1050              |
|     | 2:                           | 1150              |
|     |                              | 1200              |
|     |                              | 50 Hz             |
|     |                              | 1 x 230-240 V     |
|     | 1:                           | 5.1 A             |
|     | 2:                           | 5.6 A             |
|     | 3:                           | 5.5 A             |
| Cos | 1:                           | 0,9               |
| Cos | 2:                           | 0,89              |
| Cos |                              | 0,95              |
|     |                              | 30 /400 V         |
|     | (IEC 85):                    | H                 |
|     | Enclosure class (IEC 60529): | X4D               |
|     |                              | CONTACT           |
|     |                              | 1.30H             |
|     |                              | 27.2              |



---

: 33  
: 0.043 <sup>3</sup>

## 96402278 UPS 65-120 F 50



96402278 UPS 65-120 F 50

