

1 **MAGNA 40-120 F**



Magna UPE 2000

Magna UPE 25-40

Grundfos MAGNA - part of Series 2000 pumps - feature automatic control of differential pressure through adaptation of pump performance to actual heat requirement without the need for connection of external components

* AUTO ().

*
*
*

* ...
* LONWorks
* GENiBus
* R-100
* /

: 2.. 95 °C

: 60 °C

: 983.2 / 3

TF

: 110

: CE,TSE,PCT

EN-JL1040
ASTM 35 B - 40 B

DIN W.-Nr. 1.4301
AISI 304

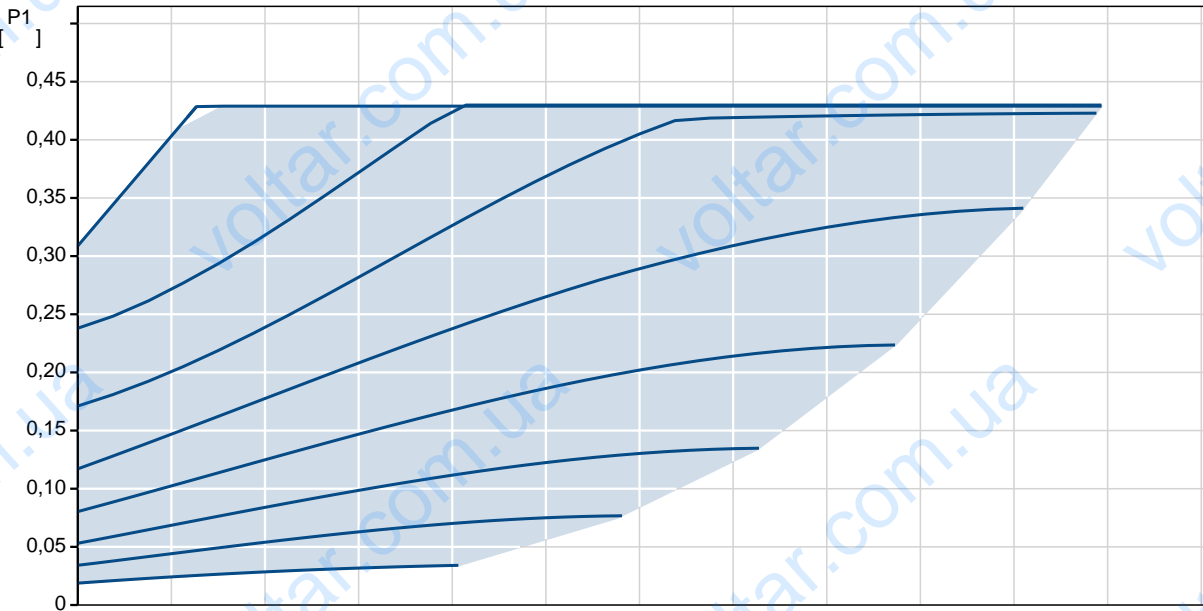
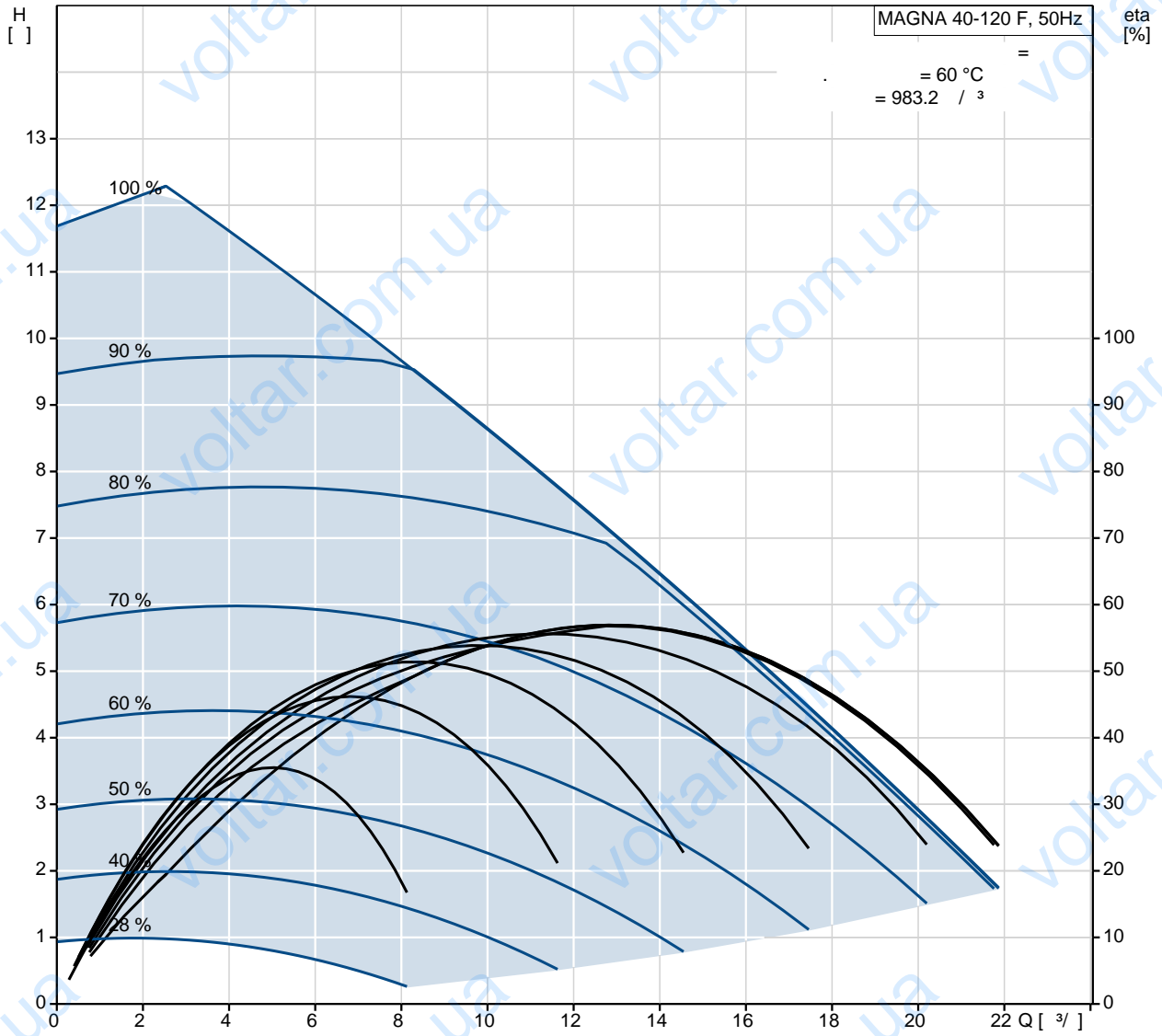
: 0 .. 40 °C

10
DIN
DN 40
PN 6 / PN 10
250

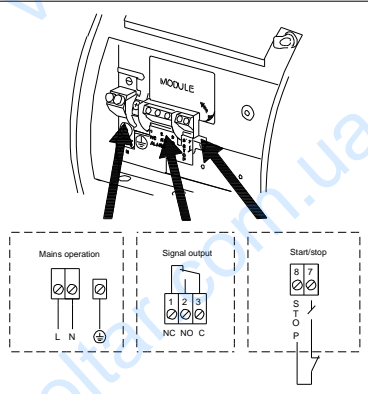
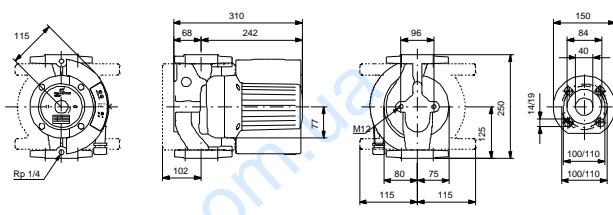
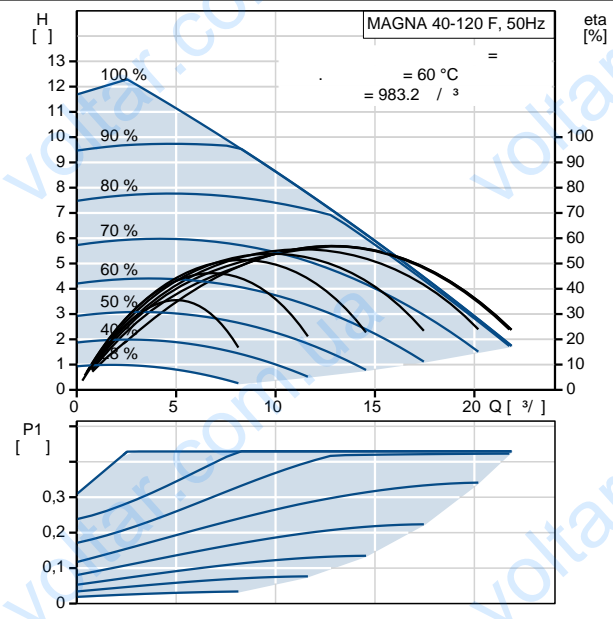
-P1: 25 .. 450
50 Hz
1 x 230-240 V
: 0.17 .. 2 A
(IEC 34-5): X4D
(IEC 85): H

15.5
17.5
0.034 ³

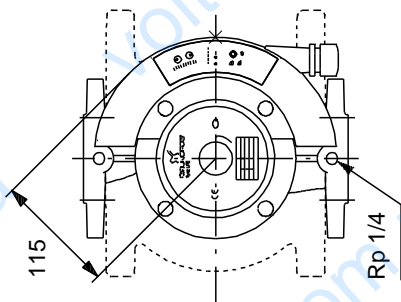
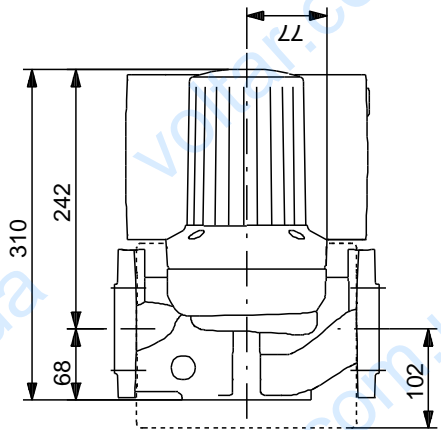
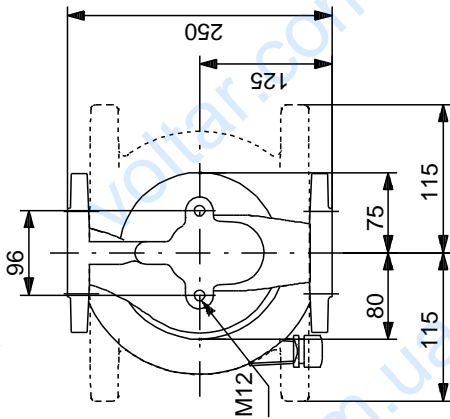
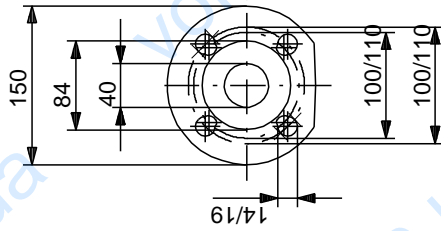
MAGNA 40-120 F 50



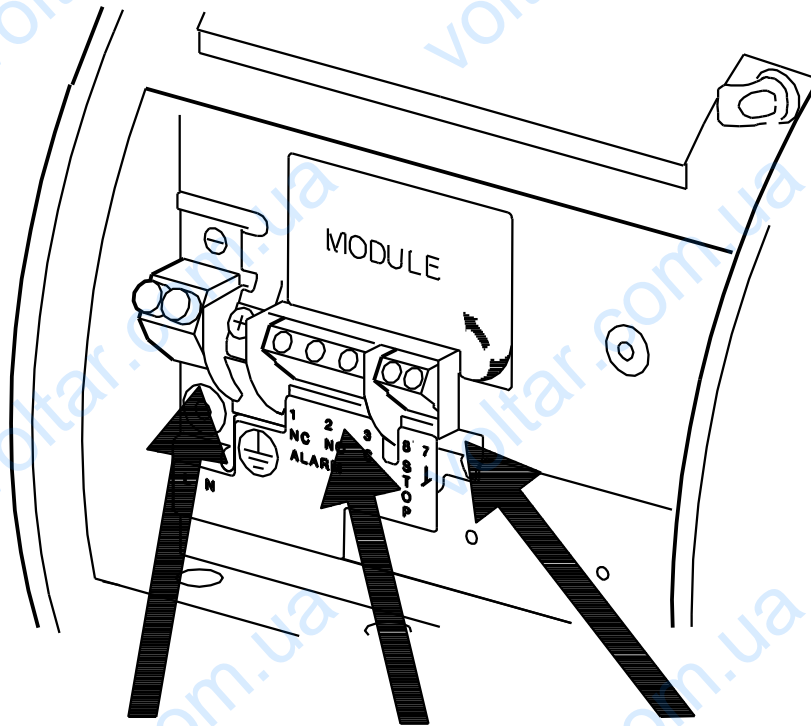
MAGNA 40-120 F	
EAN	
TF	120 110 CE, TSE, PCT F
	EN-JL1040 ASTM 35 B - 40 B DIN W.-Nr. 1.4301 AISI 304
	0 .. 40 °C
	10 DIN DN 40 PN 6 / PN 10 250
	2 .. 95 °C 60 °C 983.2 / ³
-P1:	25 .. 450 50 Hz 1 x 230-240 V 0.17 .. 2 A
(IEC 34-5): (IEC 85):	X4D H
	15
	15.5 17.5 0.034 ³



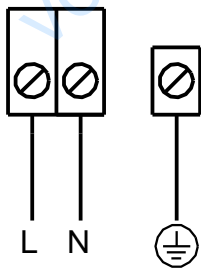
MAGNA 40-120 F 50



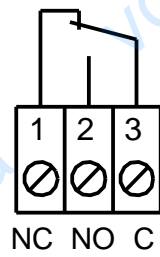
MAGNA 40-120 F 50



Mains operation



Signal output



Start/stop

