

1 MQ3-35 A-O-A-BVBP



: 96515412

MQ -

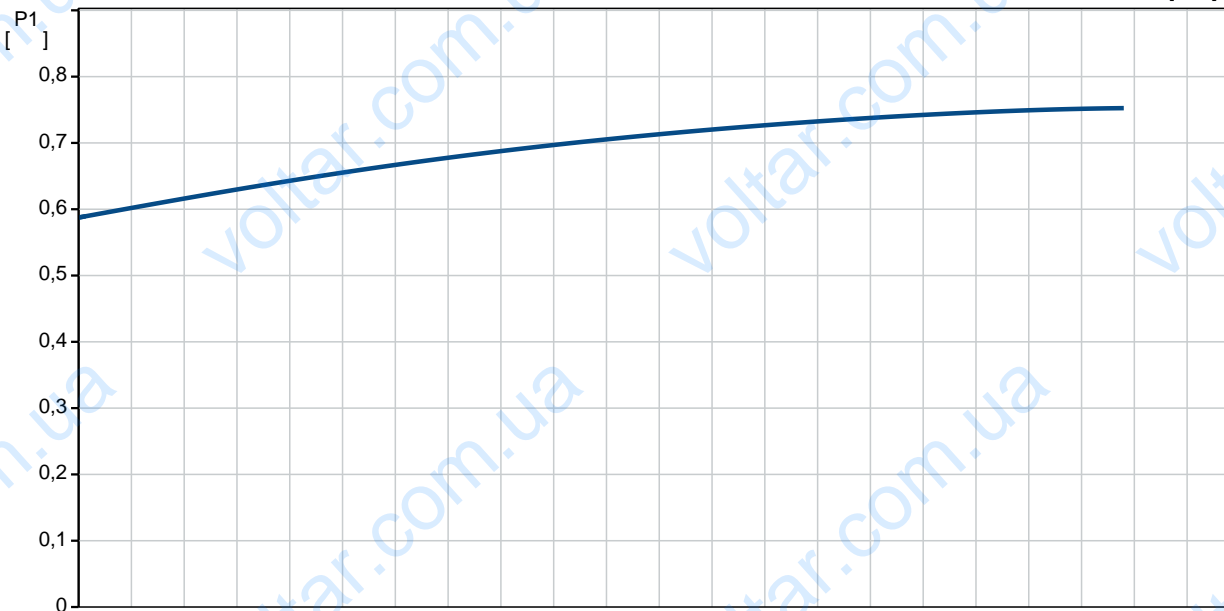
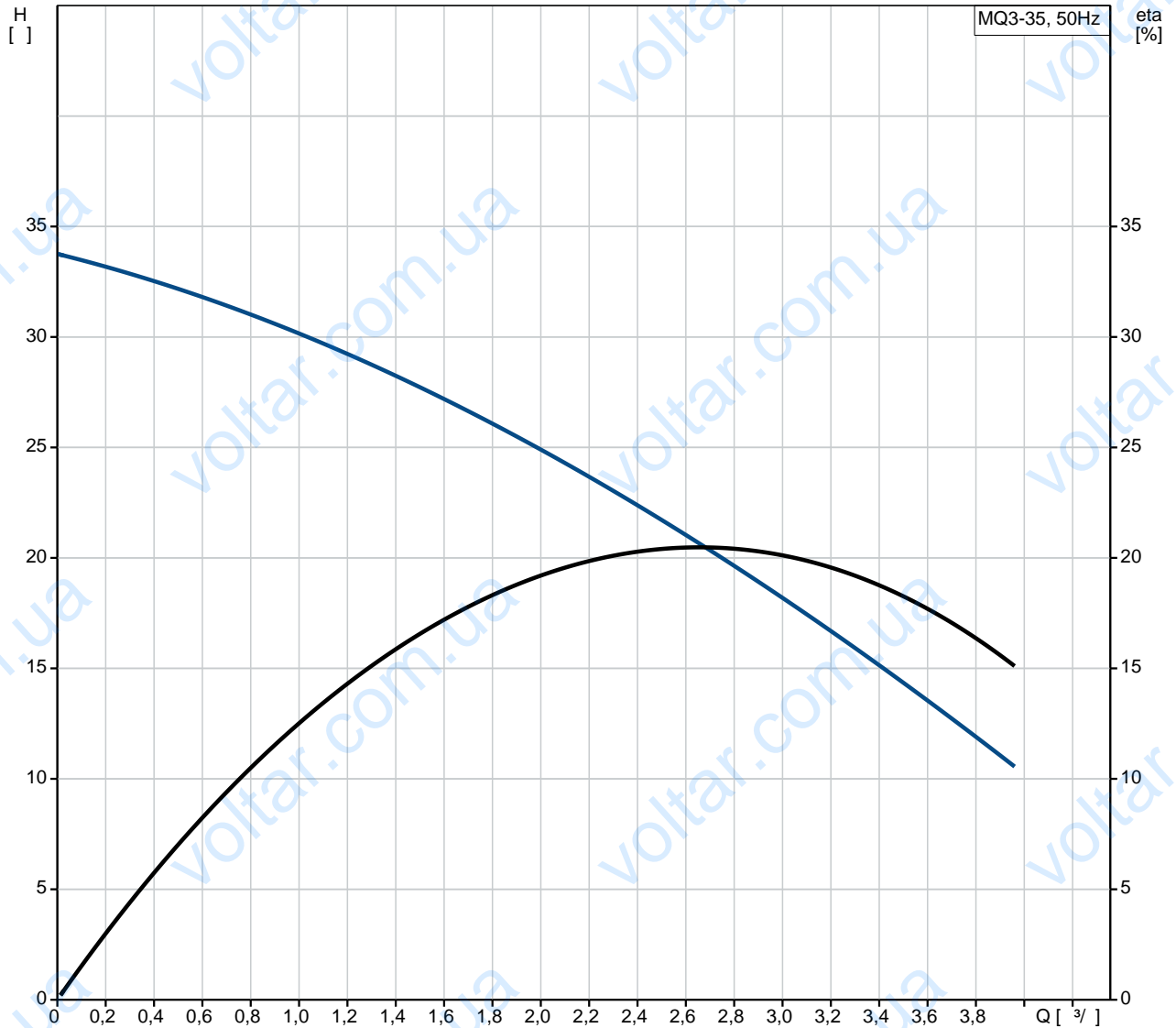
ON/OFF

8

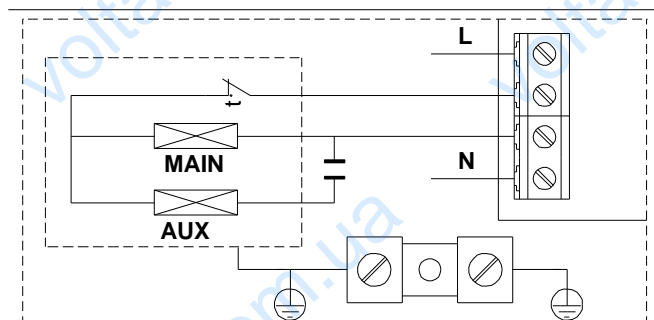
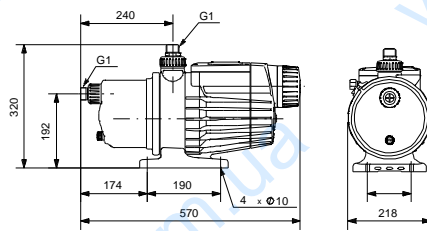
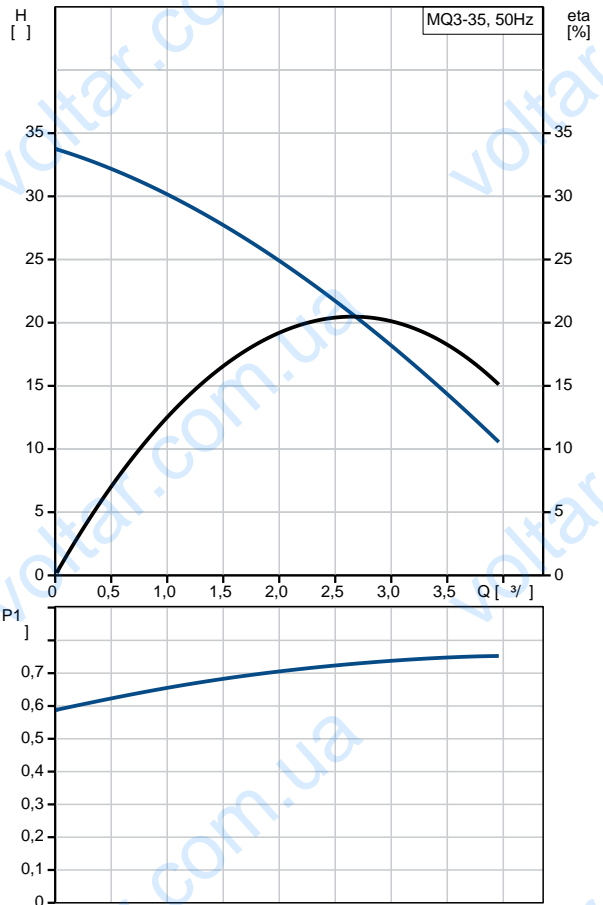
24

30

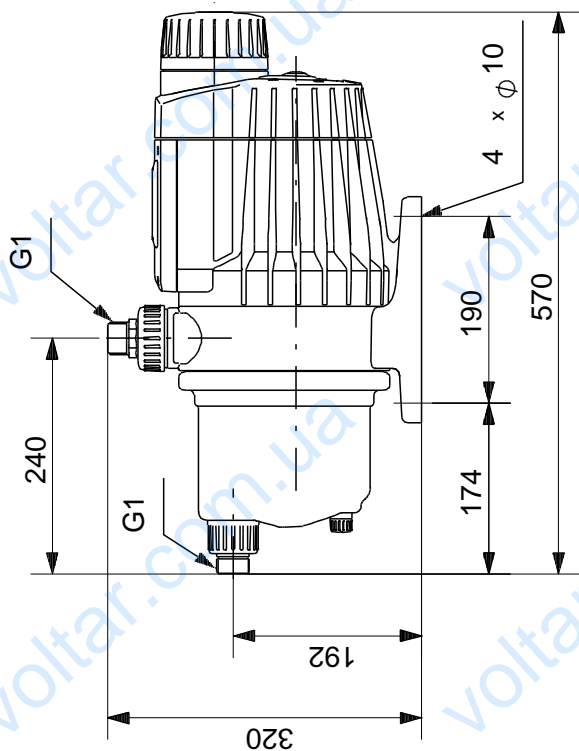
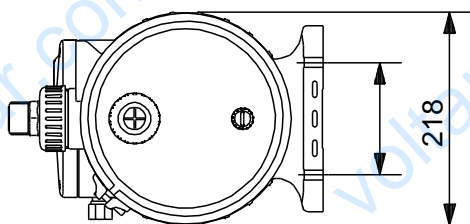
96515412 MQ3-35 A-O-A-BVBP 50



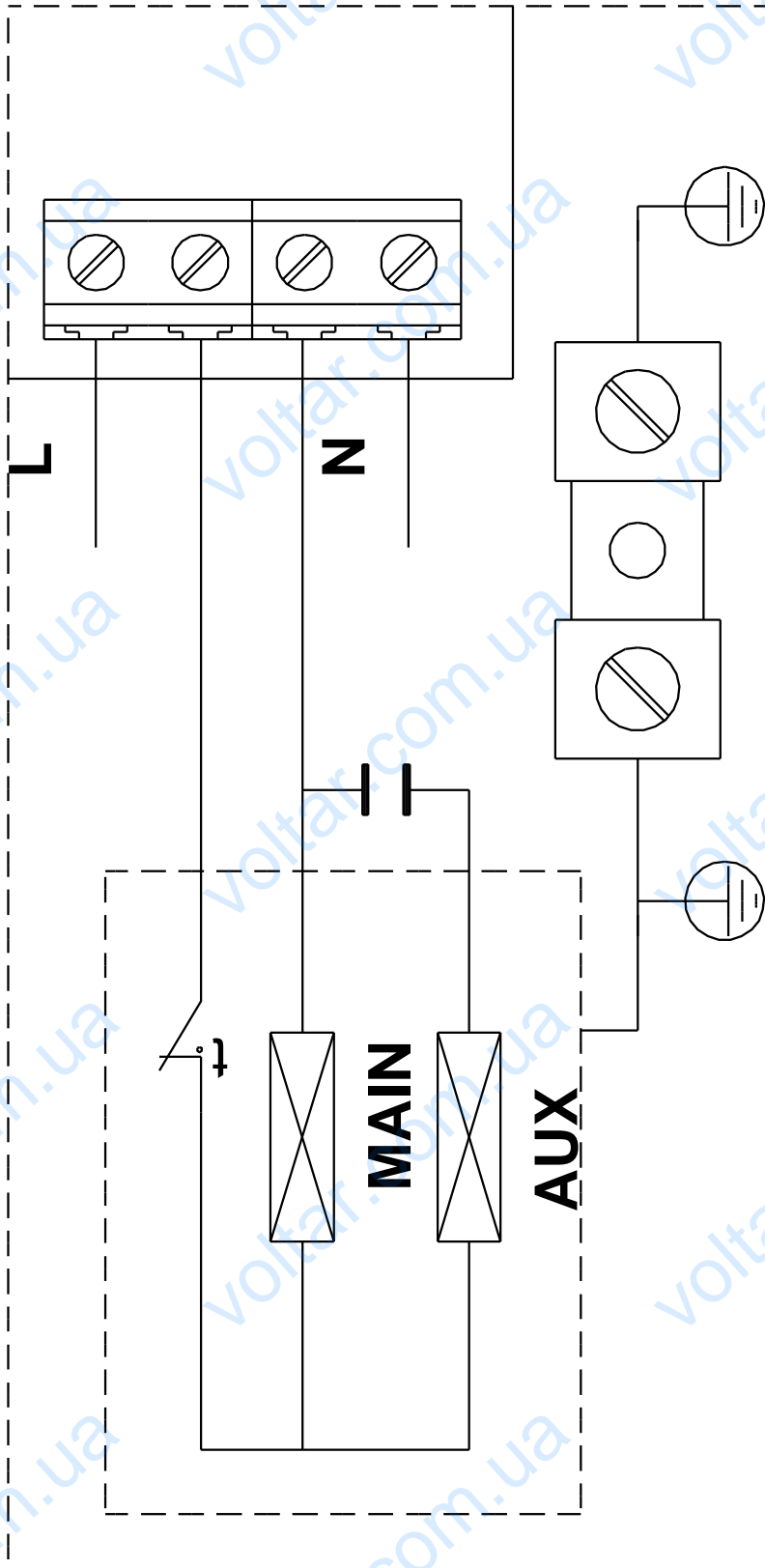
Model	MQ3-35 A-O-A-BVBP
Part No.	96515412
EAN	5700396722504
Price	324,79 €
Phase	3 ϕ
Speed	18
Flow	35
Control	BVBP
Protection	CE, WEEE
Standard	ISO9906:2012 3B
Material	A
Material	B
Material	POM + (25%)
Material	PPO + (20%)
Material	A
Temperature	0 .. 45 °C
Flow	7.5
Connection	G1
Connection	O
Temperature	0 .. 35 °C
Temperature	20 °C
Efficiency	998.2 / m^3
Power	- P1: 850
Frequency	50 Hz
Voltage	1 x 220-240
Current	4 A
Protection (IEC 34-5)	IP54
Protection (IEC 85)	B
Wiring	2
Wiring	SCHUKO
Wiring	/
Weight	13.1
Weight ()	15.3
Weight	0.055 m^3
Danish VVS No.:	385261035
Swedish RSK No.:	5952134
Finnish LVI No.:	4732512
Norwegian NRF no.:	9040026
C	IT
Weight	8413708900



96515412 MQ3-35 A-O-A-BVBP 50



96515412 MQ3-35 A-O-A-BVBP 50



! [] .