

1

UP 20-14 BX PM



97916772

PM.

5-8

12-

COMFORT

EN 60335-1 EN 60335-2-51.

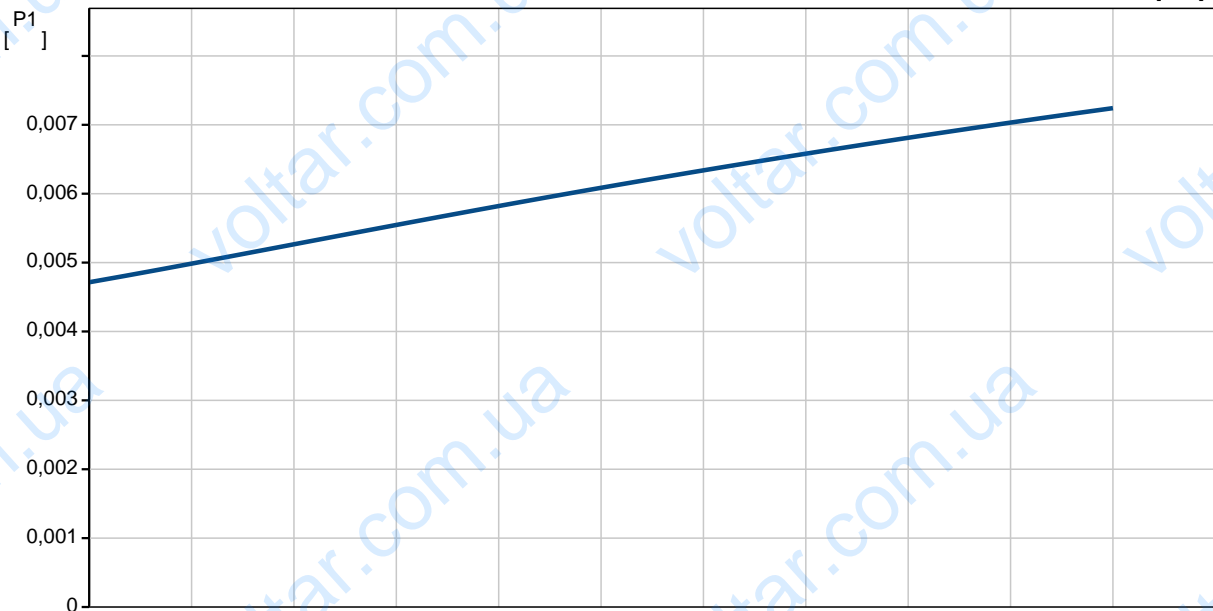
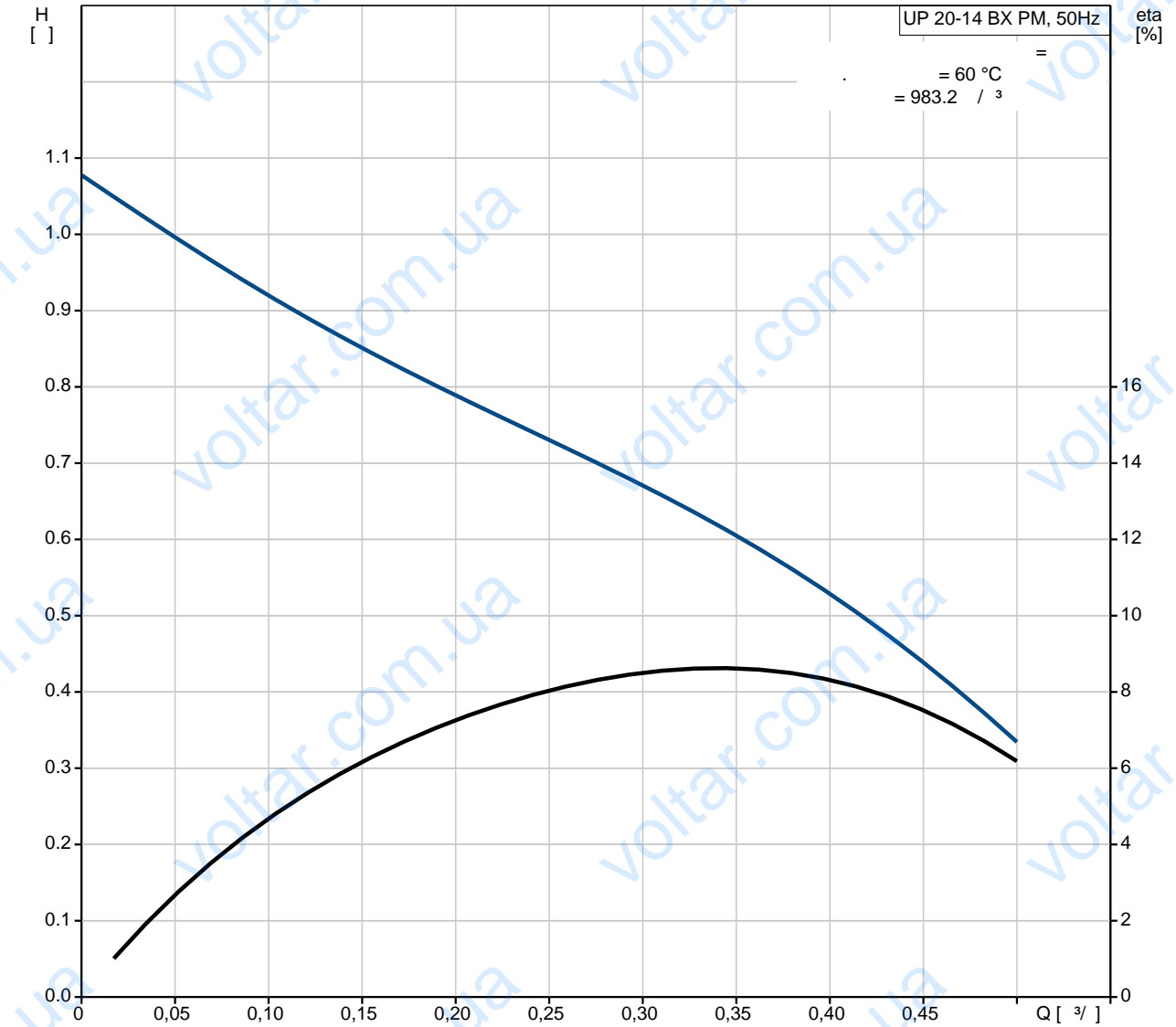
IEC 61140, II,



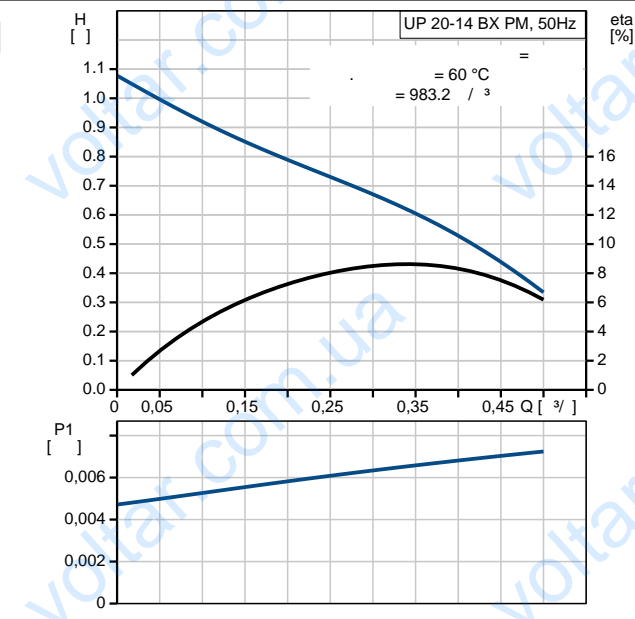
		<ul style="list-style-type: none"> <li>: 2.. 95 °C</li> <li>60 °C</li> <li>983.2 / 3</li> </ul>
TF		<ul style="list-style-type: none"> <li>95</li> <li>: CE,VDE,EAC</li> </ul>
		<ul style="list-style-type: none"> <li>MS 68</li> <li>, EPDM, PPO,</li> </ul>
		<ul style="list-style-type: none"> <li>10.2</li> <li>1 1/4</li> <li>110</li> </ul>
C		<ul style="list-style-type: none"> <li>0.6</li> <li>3: 7</li> <li>50 Hz</li> <li>1 x 230 V</li> <li>0.07 A</li> <li>: 0.6</li> <li>(IEC 34-5): IP44</li> <li>(IEC 85): F</li> </ul>
		<ul style="list-style-type: none"> <li>1.35</li> <li>1.51</li> <li>0.003 3</li> </ul>



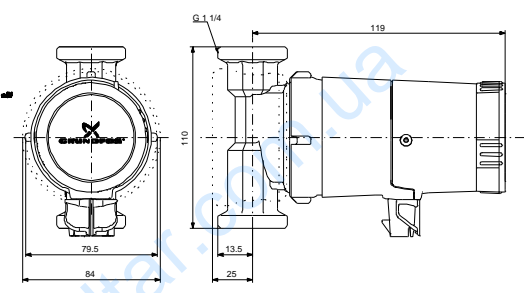
# 97916772 UP 20-14 BX PM 50



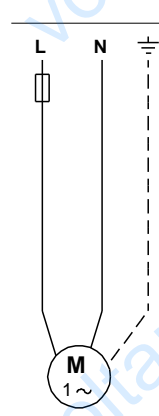
		UP 20-14 BX PM
		97916772
EAN		5710626363773
		1
		14
TF		95
		CE, VDE, EAC
		MS 68
		EPDM, PPO,



		10.2
		1 1/4
		110
		2 .. 95 °C
		60 °C
		983.2 / ³

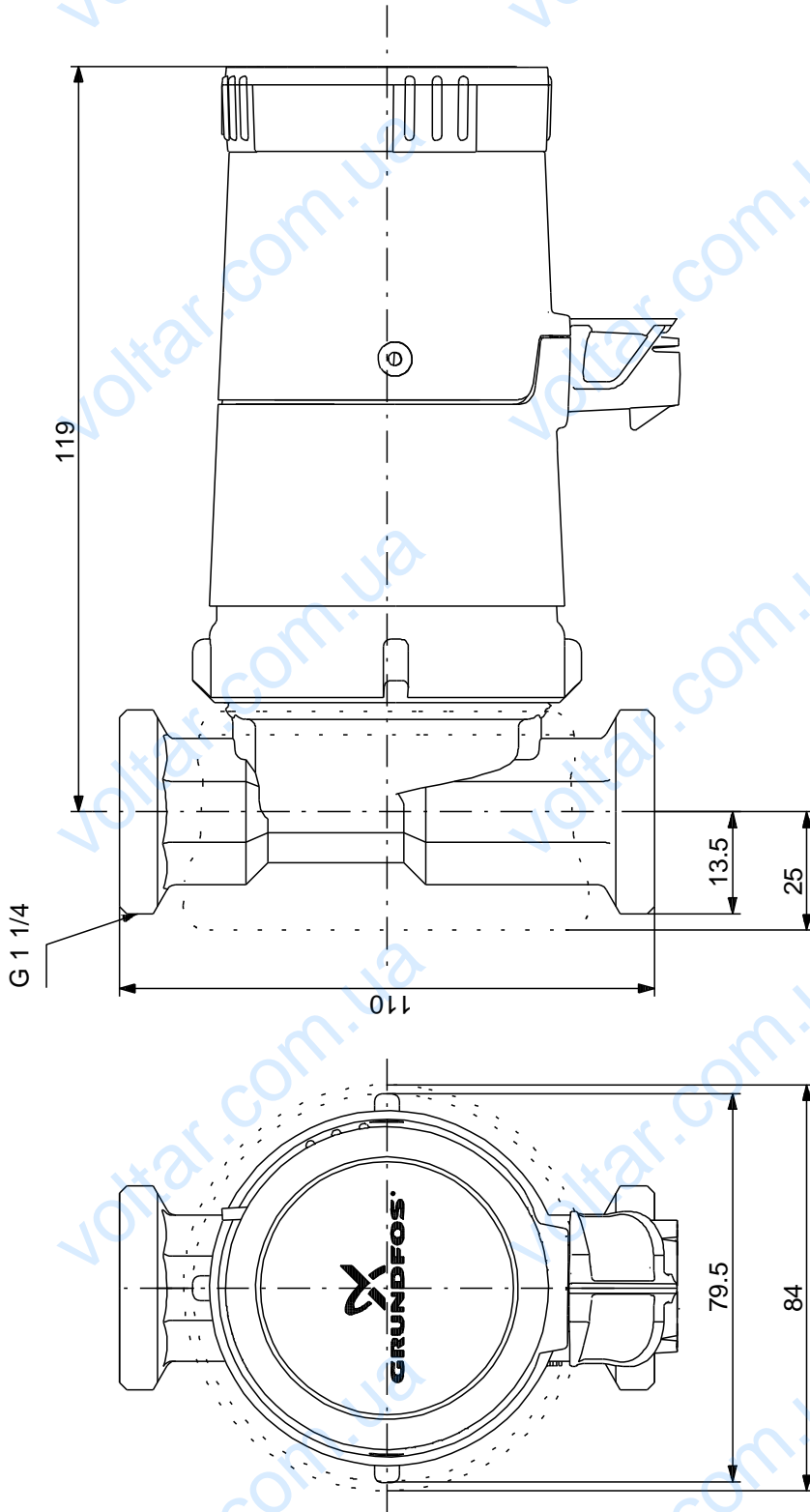


C		0.6
		3: 7
		50 Hz
		1 x 230 V
3:		0.07 A
		0.6
(IEC 34-5):		IP44
(IEC 85):		F
		1.35
		1.51
		0.003 ³



**GRUNDFOS** 

**97916772 UP 20-14 BX PM 50**



97916772 UP 20-14 BX PM 50

