

1 **MAGNA3 50-80 F**



MAGNA3 –

, MAGNA3

Grundfos

MAGNA3 -

MAGNA3 -

TFT-

CIM-

MAGNA3

- AUTOADAPT (
- FLOWADAPT (

) FLOWLIMIT ( ) ( )

MAGNA3

Grundfos (Grundfos GO Remote)

CIM-

MAGNA3

4-

(

)

: -10 .. 110 °C

60 °C

983.2 / 3

TF

110

: CE,VDE,EAC

EN-GJL-250

ASTM A48-250B

PES 30%GF

: 0 .. 40 °C

10

DIN

DN 50

PN6/10

240

..P1:

21 .. 325

50 Hz

1 x 230 V

: 0.22 .. 1.46 A

(IEC 34-5):

X4D

(IEC 85):

F

Grundfos Blueflux

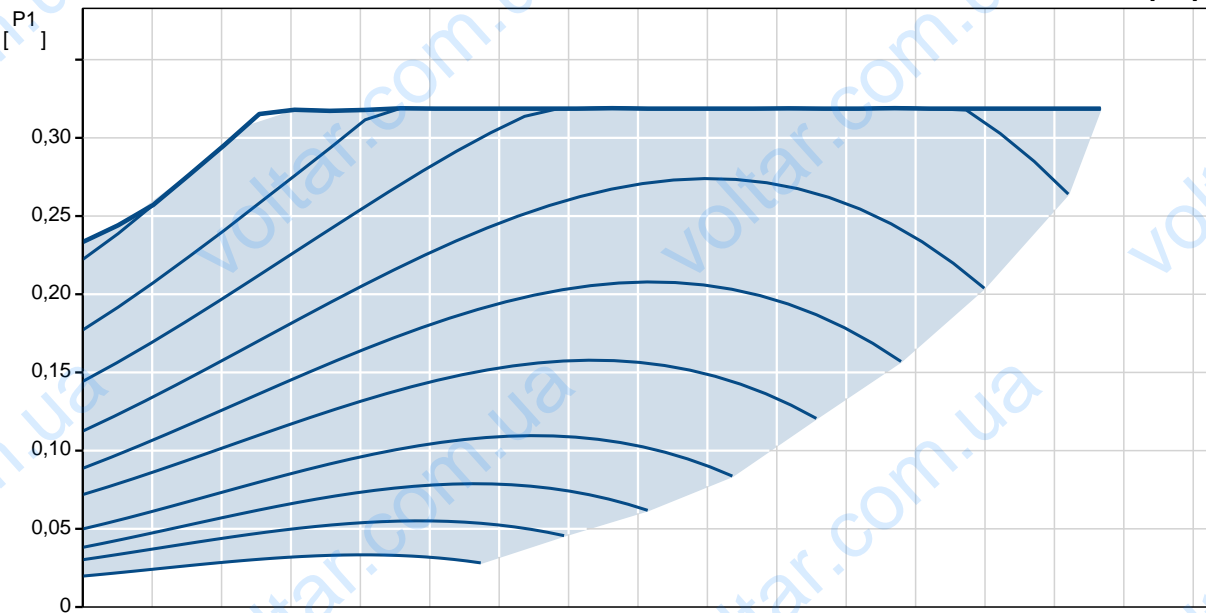
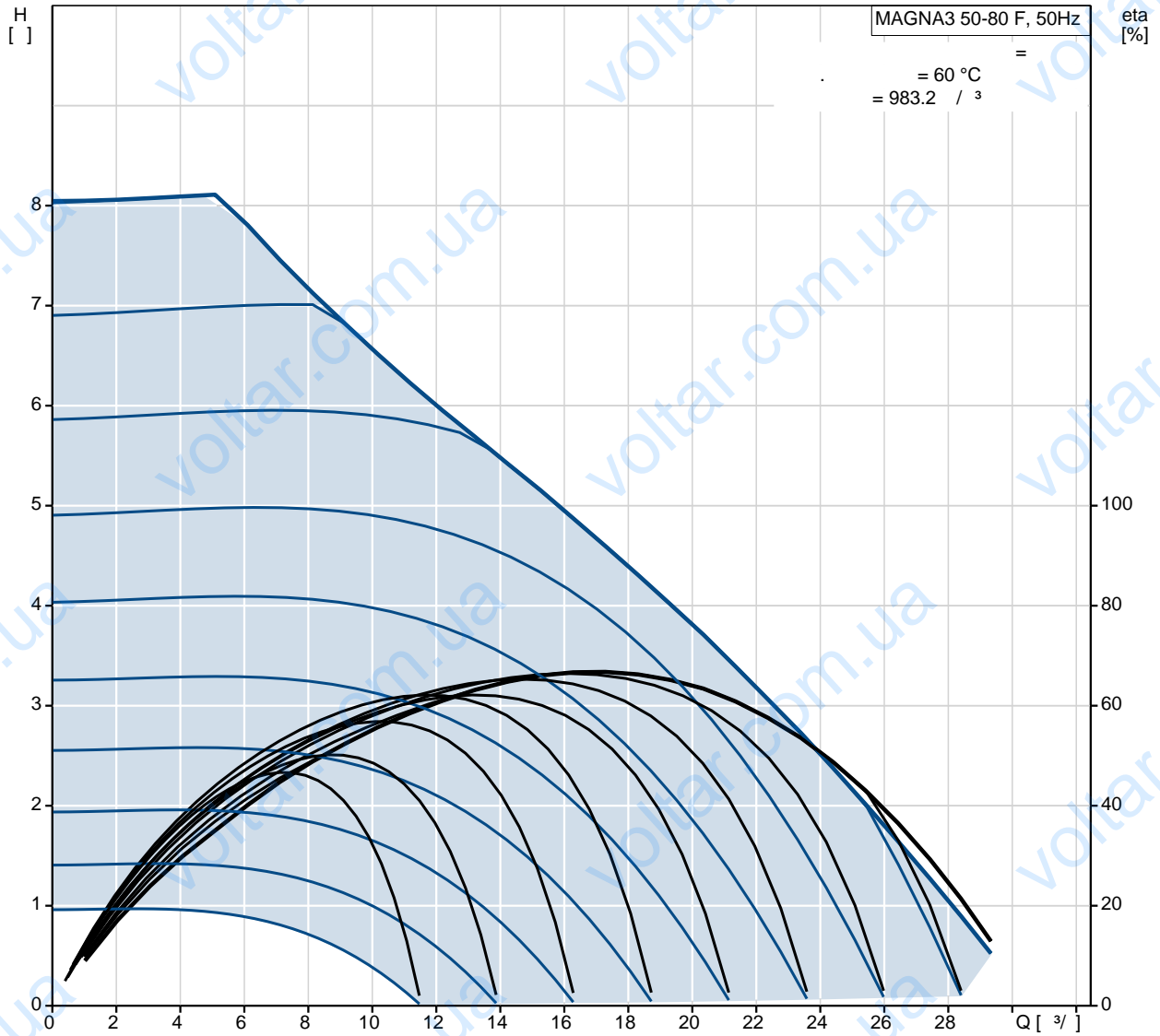
(EEI): 0.18

17.7

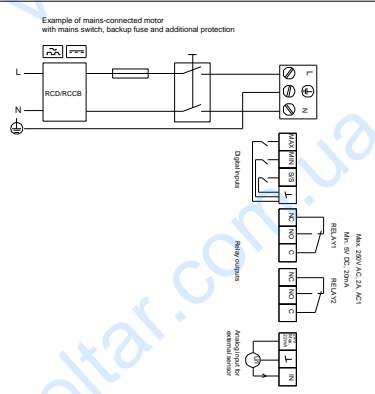
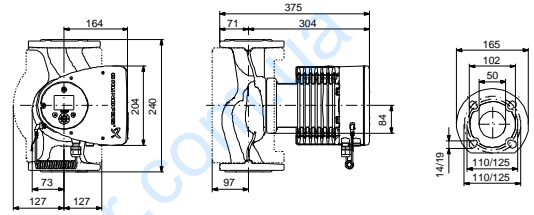
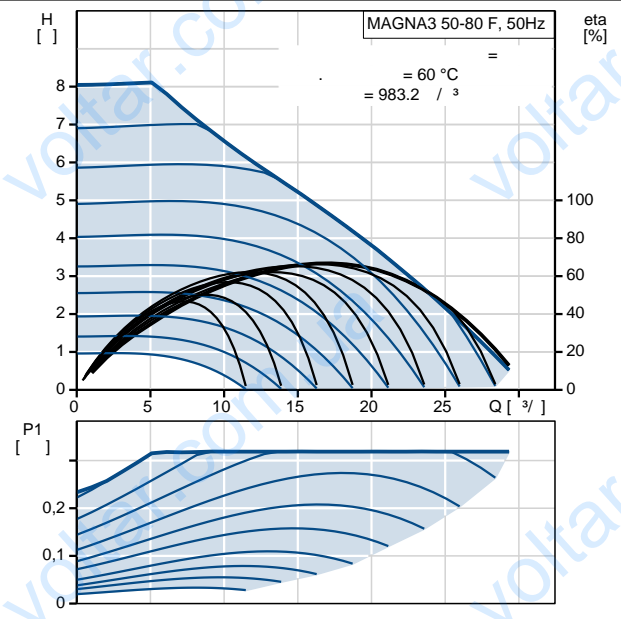
19.7

45.9 3

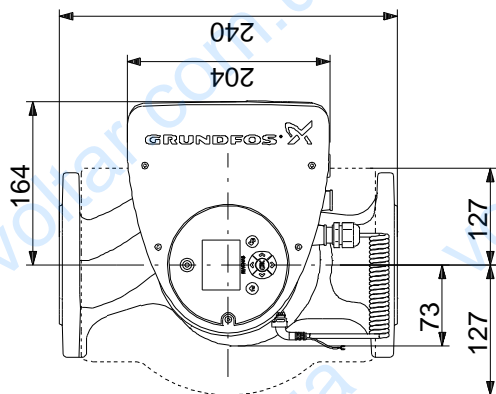
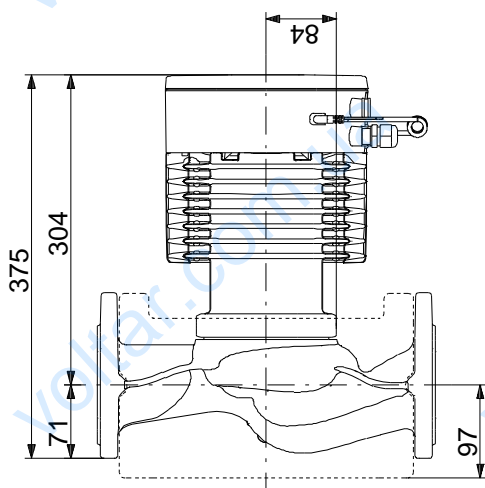
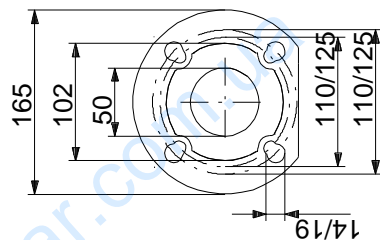
## MAGNA3 50-80 F 50



		MAGNA3 50-80 F
EAN		
TF		80 110 CE, VDE, EAC C
		EN-GJL-250 ASTM A48-250B PES 30%GF
		0 .. 40 °C
		10 DIN DN 50 PN6/10 240
		-10 .. 110 °C 60 °C 983.2 / <sup>3</sup>
	..-P1:	21 .. 325 50 Hz 1 x 230 V 0.22 .. 1.46 A (IEC 34-5): X4D (IEC 85): F
		Grundfos Blueflux
	(EEI):	0.18 17.7 19.7 45.9 <sup>3</sup>

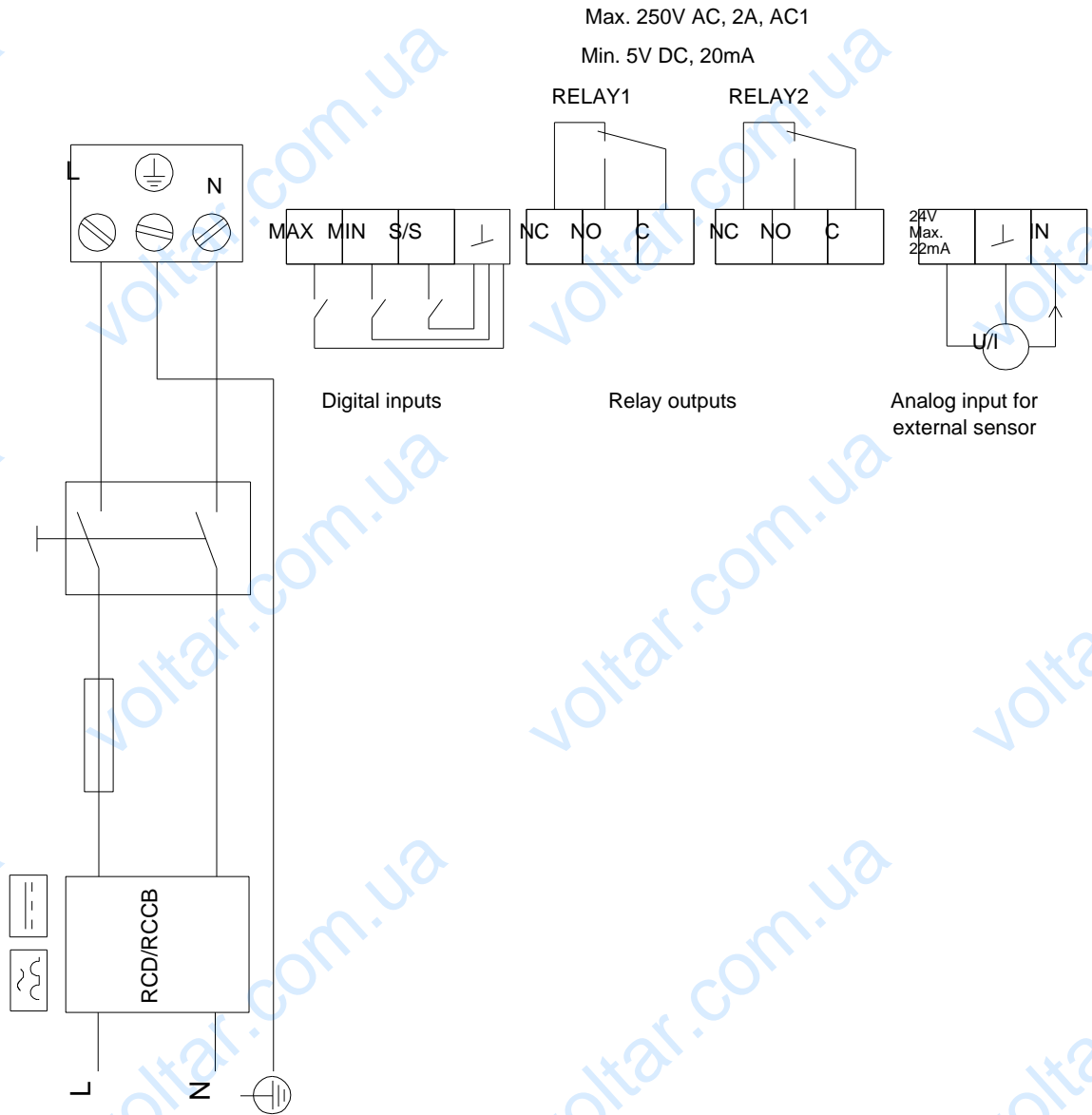


## MAGNA3 50-80 F 50



## MAGNA3 50-80 F 50

Example of mains-connected motor with mains switch, backup fuse and additional protection



! [ ], .