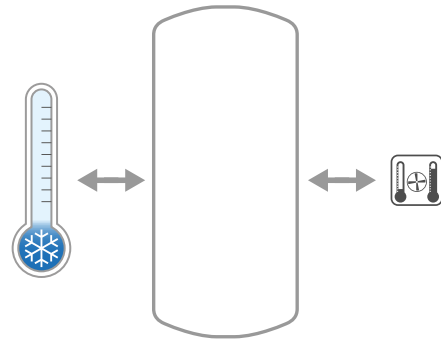


CHILLED WATER STORAGE TANK GC 20 VT

VERTICAL NOT TREATED CHILLED WATER TANK



| PRESSURE | TEMPERATURE |
|---------------|----------------------|
| Pmax 6 bar | Tmax -10 / +90 °C |



APPLICATION AND TECHNICAL DESCRIPTION

Storage of chilled water for cooling systems. Vertical inertial water tanks are used to increase the thermal inertia and, for those installations with a low water-capacity, to avoid that the chiller is continuously working.

MATERIAL

Mild steel outside painted

EXTERNAL LINING

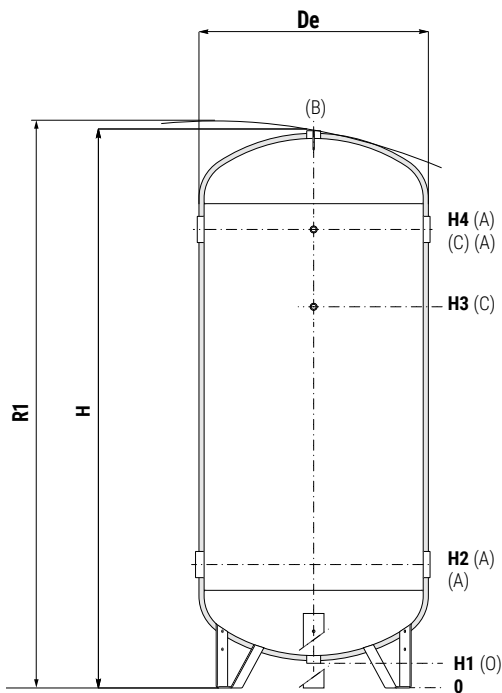
Blue PVC with plastic black caps for connections.

INSULATION

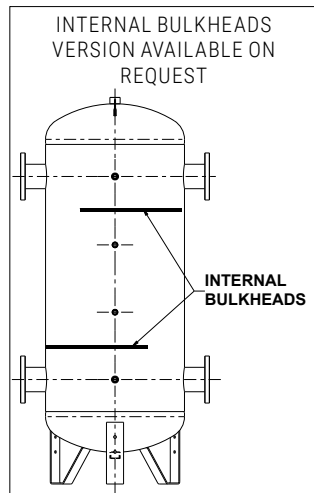
20 mm fixed polyethylene anti-condensation. Not self-extinguishing version. Not removable from the tank.

WARRANTY

2 years-See general sales conditions and warranty.



- A** To the System
- B** Safety Valve
- C** Connection for instrumentation 1/2" F
- O** Drain



ACQ. REF. GC 20 VT

(INSULATION 20 mm
Not self-extinguishing)

| Model | Art. Nr. |
|-------|---------------|
| 100 | 3001162131101 |
| 200 | 3001162131102 |
| 300 | 3001162131103 |
| 500 | 3001162131104 |
| 800 | 3001162131105 |
| 1000 | 3001162131106 |
| 1500 | 3001162131107 |
| 2000 | 3001162131108 |
| 2500 | 3001162131113 |
| 3000 | 3001162131109 |
| 4000 | 3001162131110 |
| 5000 | 3001162131112 |

| Model | Weight | Volume | DE | H | R1 | H1 | H2 | H3 | H4 | B-O | Connections F | |
|-------|--------|--------|------|------|------|-----|-----|------|------|-------|---------------|------|
| | [Kg] | [lt] | | | | | | | | | A | C |
| 100 | 32 | 101 | 440 | 1006 | 1017 | 73 | 287 | 592 | 792 | 1"1/4 | 1"1/2 | 1/2" |
| 200 | 53 | 190 | 490 | 1407 | 1415 | 68 | 297 | 927 | 1177 | 1"1/4 | 1"1/2 | 1/2" |
| 300 | 67 | 292 | 590 | 1518 | 1529 | 129 | 404 | 994 | 1244 | 1"1/4 | 2" | 1/2" |
| 500 | 101 | 501 | 690 | 1810 | 1821 | 121 | 441 | 1241 | 1491 | 1"1/4 | 3" | 1/2" |
| 800 | 147 | 788 | 790 | 2108 | 2119 | 108 | 458 | 1458 | 1758 | 1"1/4 | 3" | 1/2" |
| 1000 | 170 | 1034 | 890 | 2162 | 2178 | 96 | 479 | 1479 | 1779 | 1"1/2 | 3" | 1/2" |
| 1500 | 183 | 1432 | 990 | 2351 | 2386 | 121 | 490 | 1700 | 2000 | 2" | 3" | 1/2" |
| 2000 | 219 | 1970 | 1140 | 2421 | 2437 | 105 | 509 | 1719 | 2019 | 2" | 3" | 1/2" |
| 2500 | 274 | 2300 | 1290 | 2289 | 2304 | 149 | 619 | 1519 | 1819 | 2" | 4" | 1/2" |
| 3000 | 321 | 2908 | 1290 | 2804 | 2826 | 149 | 619 | 1919 | 2319 | 2" | 4" | 1/2" |
| 4000 | 442 | 3749 | 1440 | 2878 | 2904 | 133 | 648 | 1948 | 2348 | 2" | 4" | 1/2" |
| 5000 | 565 | 4964 | 1640 | 2916 | 2948 | 111 | 656 | 1956 | 2356 | 2" | 4" | 1/2" |

