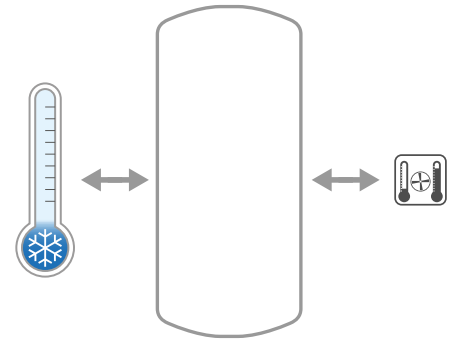


CHILLED WATER STORAGE TANK - GALVANIZED ZB

VERTICAL GALVANIZED CHILLED WATER TANK



PRESSURE	TEMPERATURE
Pmax	Tmax
6 bar	-10 / +60 °C



Suitable for outdoor installation

APPLICATION AND TECHNICAL DESCRIPTION

Storage of chilled water for cooling systems. These buffers have rigid insulation and external galvanized and painted metallic cover.

They are used to increase the thermal inertia and, for those installations with low water-capacity, avoiding that the chilling generator is continuously working.

EXTERNAL LINING

Galvanized and painted metallic cover.

MATERIAL

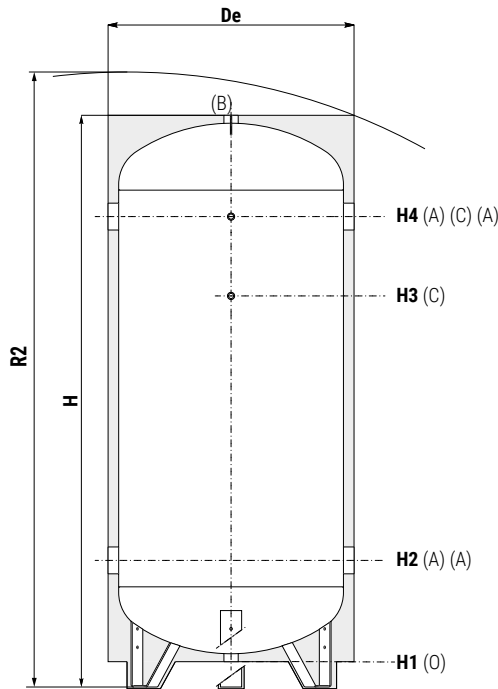
Galvanized mild steel

INSULATION

High thermal insulation with ecological polyurethane hard foam.

WARRANTY

2 years-See general sales conditions and warranty.



ACQ. REF. ZB VT

Model	Art. Nr.
100	3001162310001
200	3001162310002
300	3001162310003
500	3001162310004
800	3001162310005
1000	3001162310006
1500	3001162310007
2000	3001162310008

SUITABLE FOR OUTDOOR INSTALLATION

- A** To the System
- B** Safety Valve
- C** Connection for instrumentation 1/2" F
- O** Drain

Model	Weight [Kg]	Volume [lit]	De	H	R2	H1	H2	H3	H4	B-O	A	C
						[mm]						
											Connections F	
100	32	101	460	1006	1115	73	287	592	792	1"1/4	1"1/2	1/2"
200	53	190	510	1407	1505	68	297	927	1177	1"1/4	1"1/2	1/2"
300	67	292	610	1518	1640	129	404	994	1244	1"1/4	2"	1/2"
500	101	501	750	1790	1945	80	400	1200	1450	1"1/4	3"	1/2"
800	147	788	900	2100	2290	80	430	1437	1730	1"1/4	3"	1/2"
1000	170	1034	1000	2166	2390	80	463	1463	1763	1"1/2	3"	1/2"
1500	183	1432	1100	2366	2615	100	471	1681	1981	2"	3"	1/2"
2000	219	1970	1300	2436	2770	100	506	1716	2016	2"	3"	1/2"

