

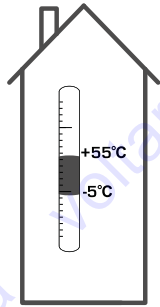
# ESBE SERIES CRB100



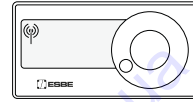
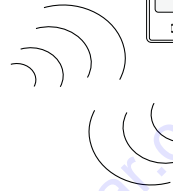
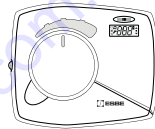
Series CRB110  
Series CRB120

CE

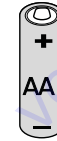
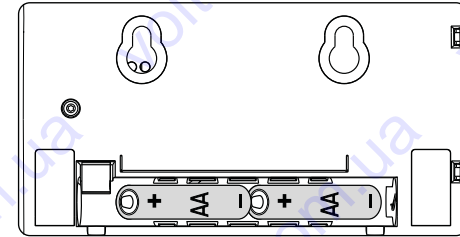
LVD 2006/95/EC  
EMC 2004/108/EC  
RoHS 2002/95/EEC  
EN 300220-2



## 1A



Series CRB120   



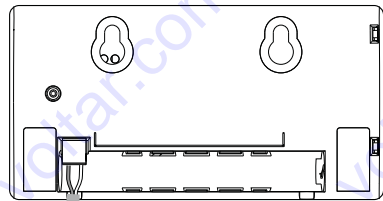
X 2



## 1B

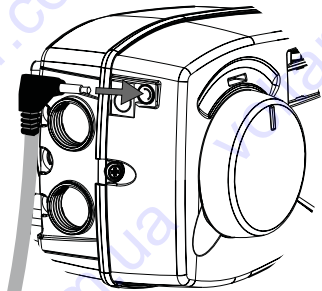
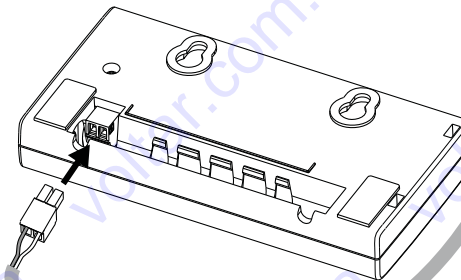
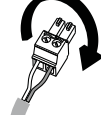
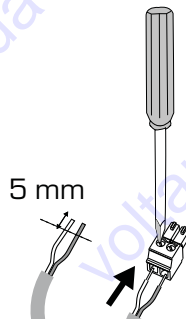


Series CRB110   

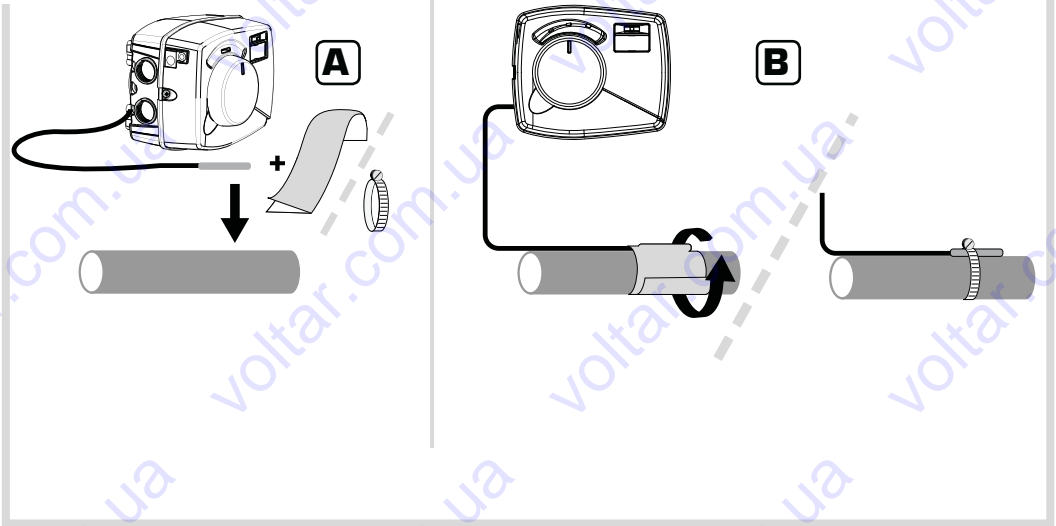


5 mm

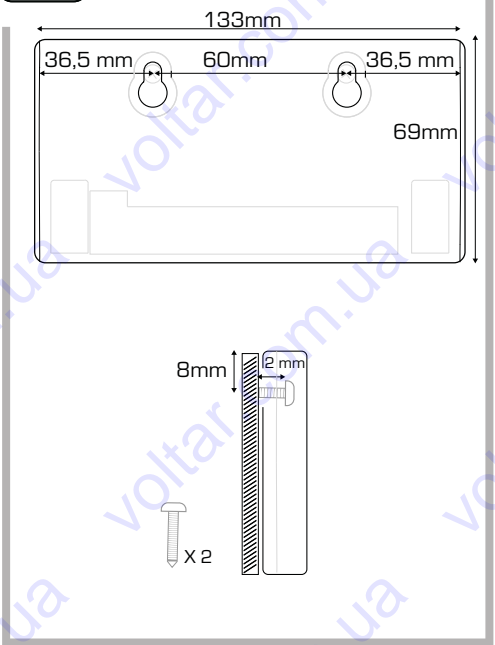
180°



2



i



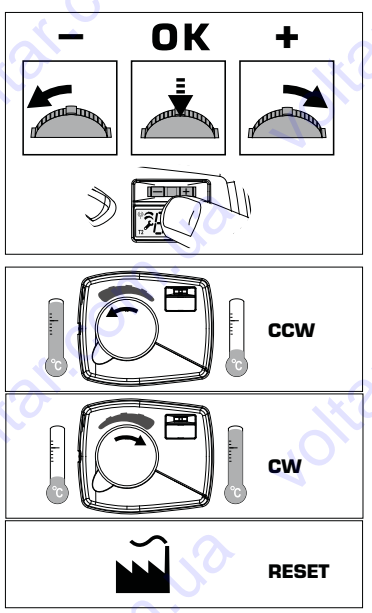
www.esbe.se

Mtrl.n. 9814 03 91 • Rit.n. 9211 utg. B • Rev. 1012

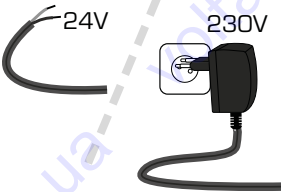
3



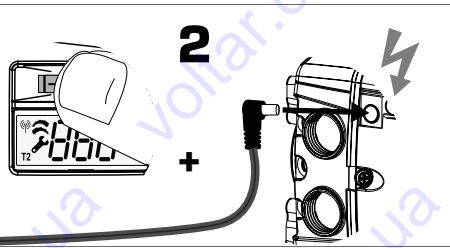
i



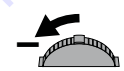
1



2



=

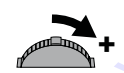


+

24V / 230V



=



+

24V / 230V



=



+

24V / 230V



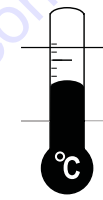
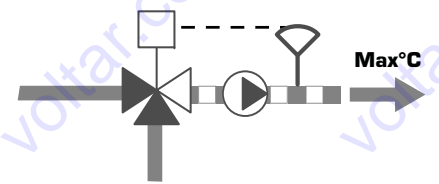
SERIES CRB100



NO.1 IN HYDRONIC SYSTEM CONTROL

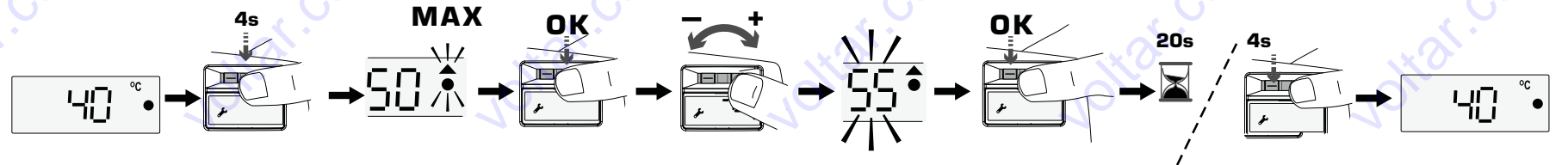


▲ = MAX

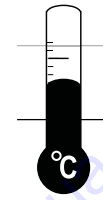
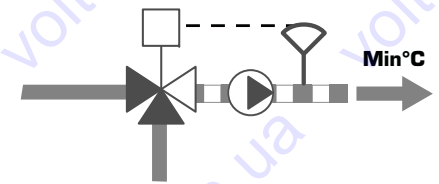


▲ Max°C  
●  
Min °C  
▼

|  |             |
|--|-------------|
|  | 50 °C       |
|  | ~40 - 50 °C |
|  | ~60 - 80 °C |

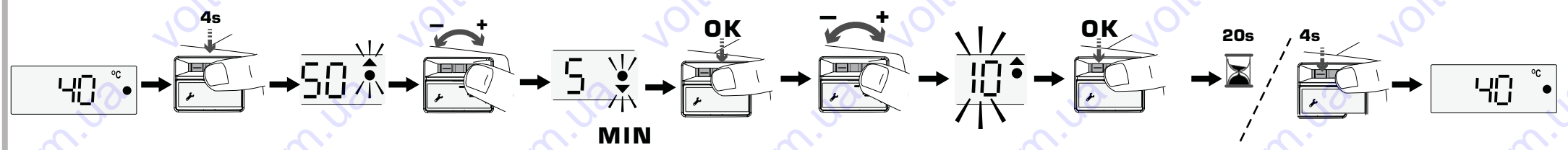


● = MIN



▲ Max°C  
●  
Min °C  
▼

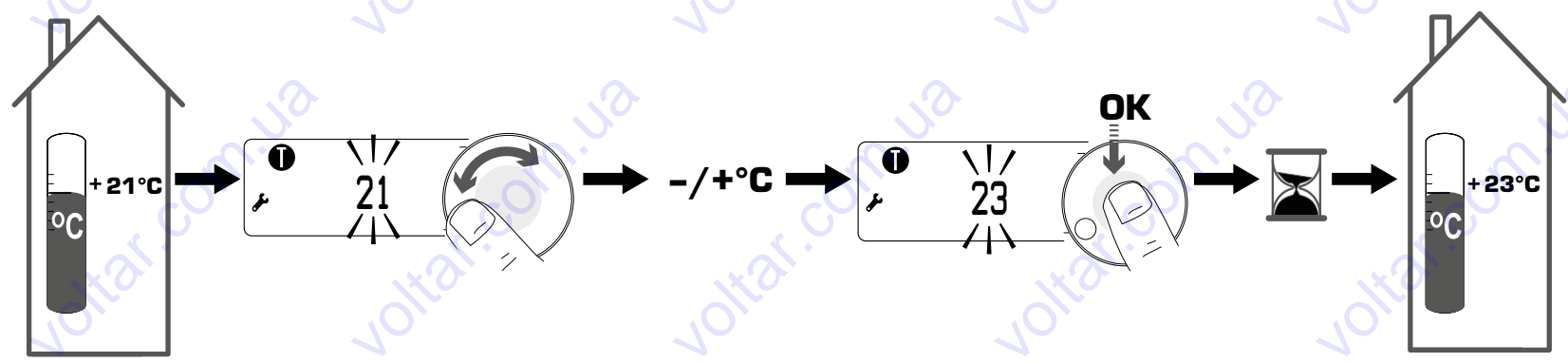
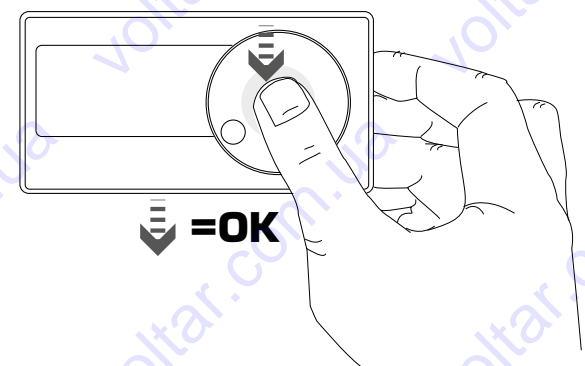
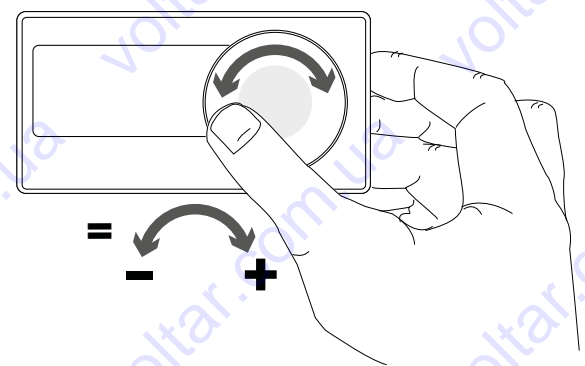
|  |            |
|--|------------|
|  | 5 °C       |
|  | ~5 - 25 °C |
|  | ~5 - 25 °C |



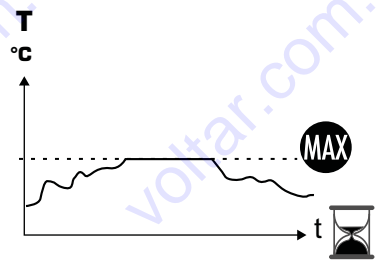
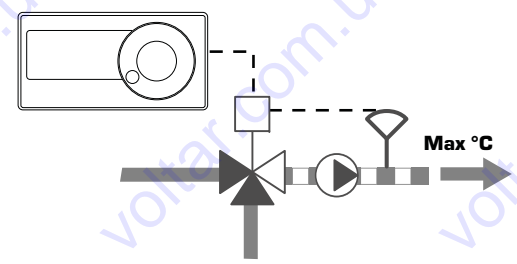
6 T



i



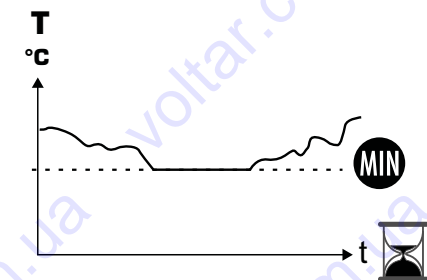
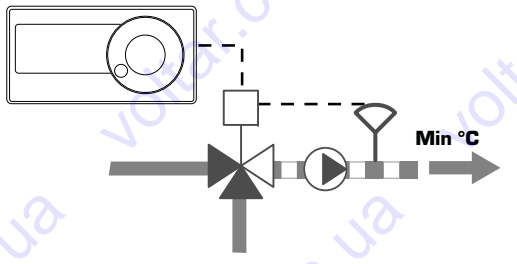
**i** **MAX**



|  |                    |
|--|--------------------|
|  | <b>50 °C</b>       |
|  | <b>~40 - 50 °C</b> |
|  | <b>~60 - 80 °C</b> |
|  | <b>60 °C</b>       |

**21** **4s** **MAX MIN C** **OK** **50** **MAX** **55** **-/+°C** **OK**

**i** **MIN**

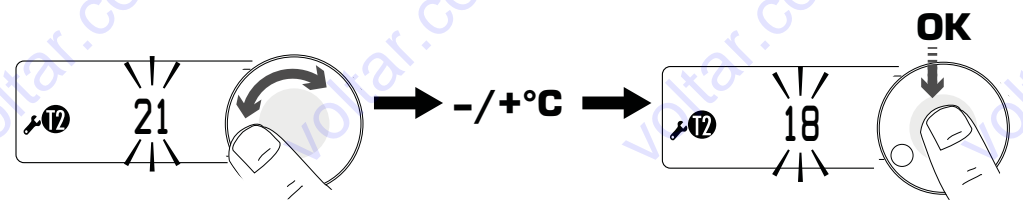
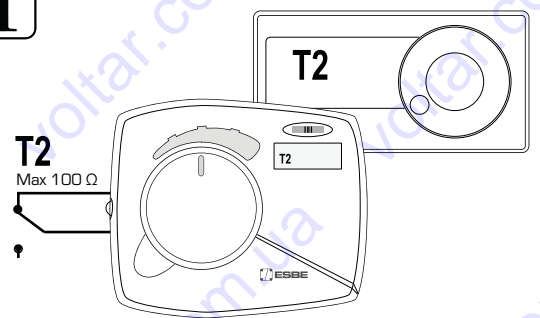
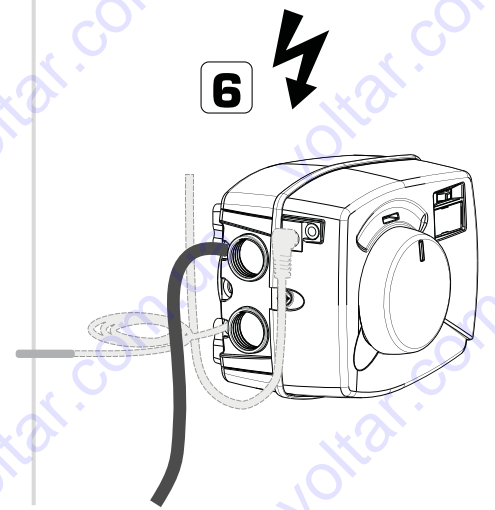
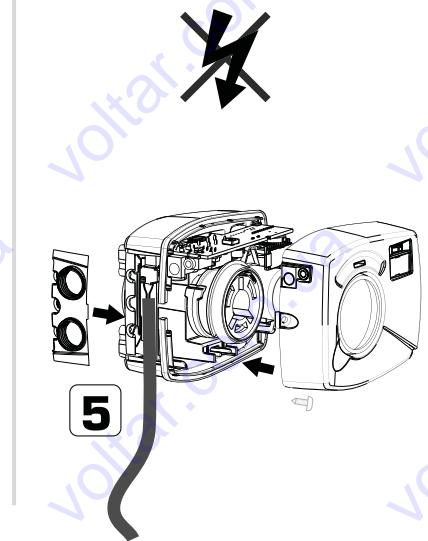
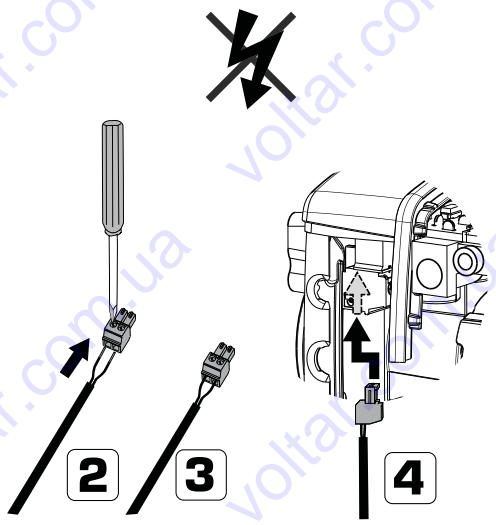
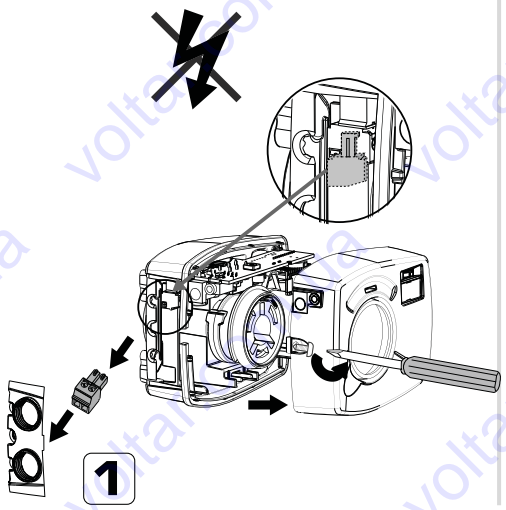
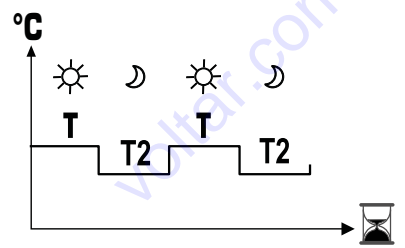
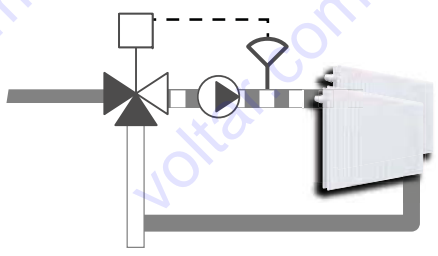


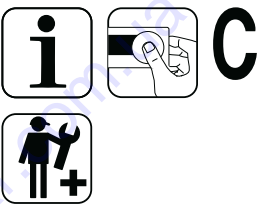
|  |                   |
|--|-------------------|
|  | <b>5 °C</b>       |
|  | <b>~5 - 25 °C</b> |
|  | <b>~5 - 25 °C</b> |
|  | <b>~5 - 25 °C</b> |

**21** **4s** **MAX MIN C** **OK** **5** **MIN** **10** **-/+°C** **OK**



**T2**

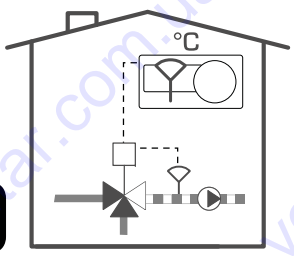




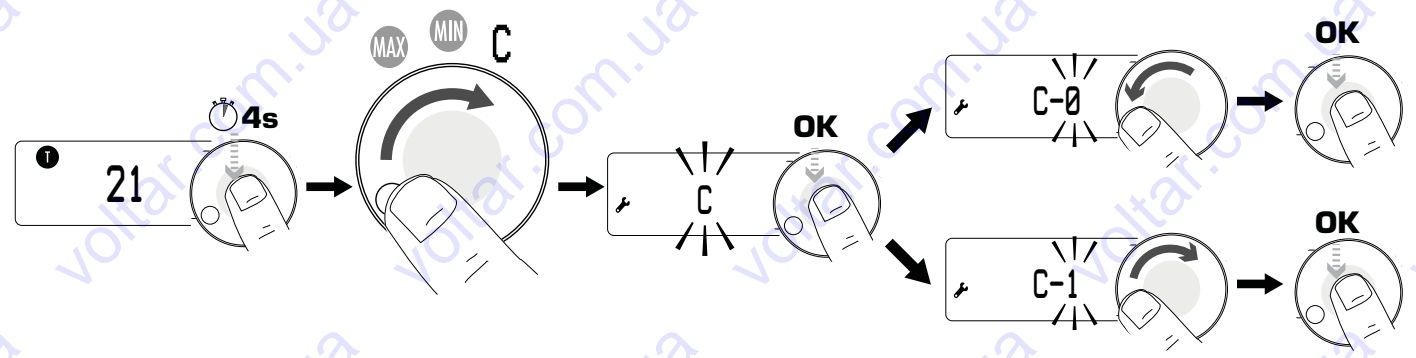
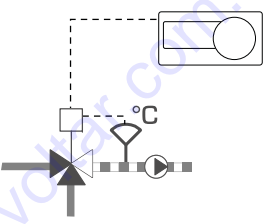
**C**



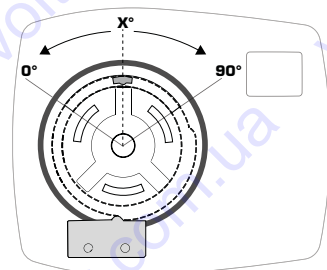
**C-0**



**C-1**



**Series CRB113** **ON/OFF**



|    | 0° - X°  | X° - 90° |
|----|----------|----------|
| NO |          |          |
| NC |          |          |
|    | X° = 45° |          |

