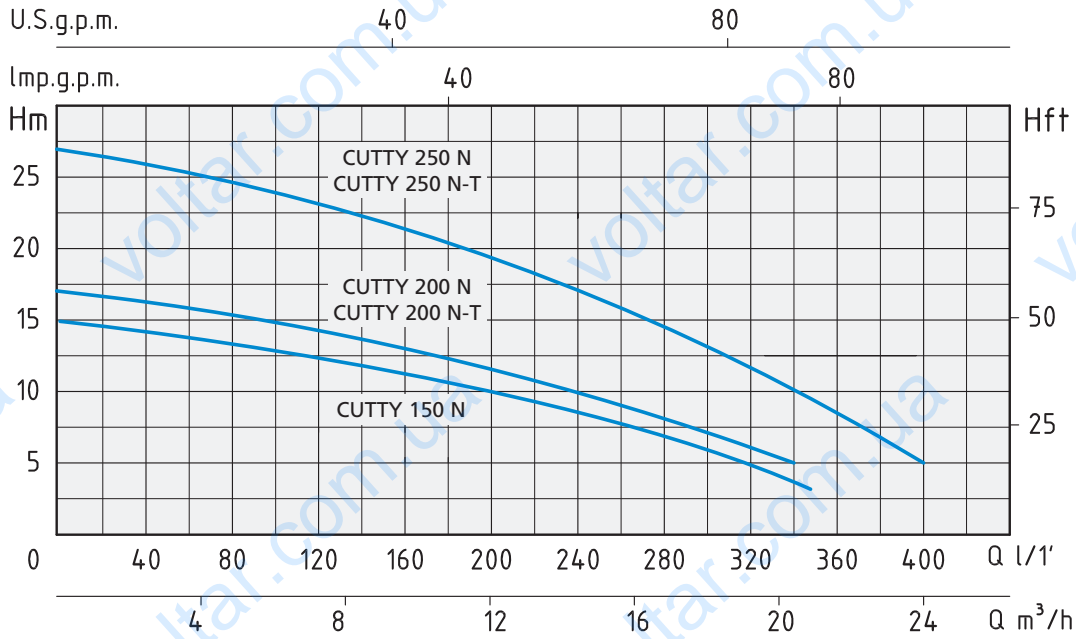


CUTTING SUBMERSIBLE PUMPS

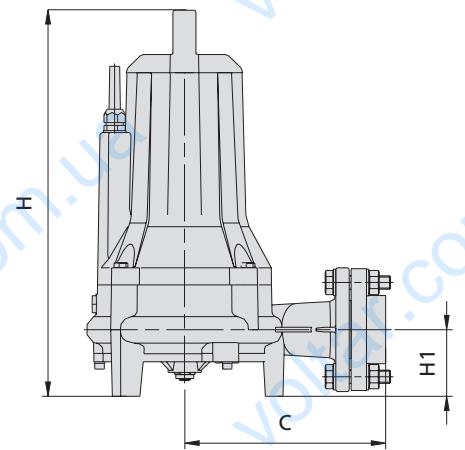
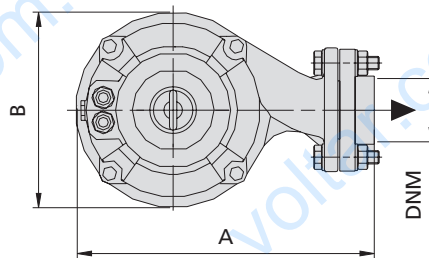


TIPO TYPE		POTENZA NOMINALE NOMINAL POWER		POTENZA ASSORBITA INPUT POWER	AMPERE		Q = PORTATA - CAPACITY										
Monofase Single-phase	Trifase Three-phase	P2		P1	Monofase Single-phase	Trifase Three-phase	Prevalenza manometrica totale in m.C.A. - Total head in meters w.c.										
		HP	kW				kW	Monofase Single-phase	Trifase Three-phase	m³/h	0	3	6	9	12	15	18
CUTTY 150 N		1,5	1,1	1,7	7,4		H (m)	15	14,5	14	12	10	8	6	3		
CUTTY 200 N	CUTTY 200 N-T	2	1,5	2	8,6	3,8		17	16	15	14	11	9	7	5		
CUTTY 250 N	CUTTY 250 N-T	2,5	1,85	2,7	11,5	4,8		27	26	25	22	19	16	10	9	5	

QUADRO ELETTROMECCANICO DI AVVIAMENTO
ELECTROMECHANICAL PANEL START-UP



INCLUSO NEI MODELLI MONOFASE
INCLUDED IN THE SINGLE-PHASE MODELS



TIPO TYPE		DIMENSIONI mm - DIMENSIONS mm							DIMENSIONI DIMENSIONS mm			PESO WEIGHT
Monofase Single-phase	Trifase Three-phase	A	B	C	H	H1	DNM	CAVO CABLE	P	L	H	Kg
CUTTY 150 N		300	206	200	446	72	1"½	10 mt H07RN8-F	280	350	585	40,8
CUTTY 200 N	CUTTY 200 N-T	300	206	200	446	72	1"½	10 mt H07RN8-F	280	350	585	41,7
CUTTY 250 N	CUTTY 250 N-T	305	206	200	468	72	1"½	10 mt H07RN8-F	280	350	585	47,9