



NENUTEC WATER - ROTARY VALVE ACTUATOR

STANDARD 5 Nm | 2 POINT AND 3 POINT CONTROL




Pictures might not correspond with technical data.



NEBA...05 (S1)

NENUTEC standard rotary valve actuators are especially designed and produced for HVAC system – and fan coil applications.

Our wide range of NENUTEC standard rotary valve actuators has been developed to operate and position 2 - 3 way ball valves of different sizes.

- NVCB... ball valve size DN15 / DN20
- Power supply AC/DC 24 V and AC 230 V
- Control 2 point and 3 point
- 1 adjustable auxiliary switch (SPDT)
- Digital greentech technology 
- Shaft dimensions
□ 9 mm square fix with bracket
NVCB... ball valve
- Selectable direction of rotation by switch
- Actuator with 1000 mm cable connection
- Customer version (on request)

MODEL SELECTION TABLE

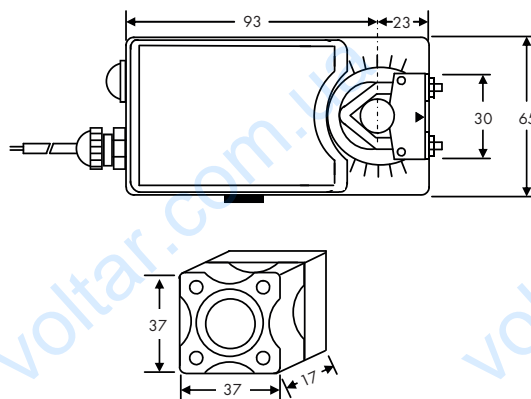
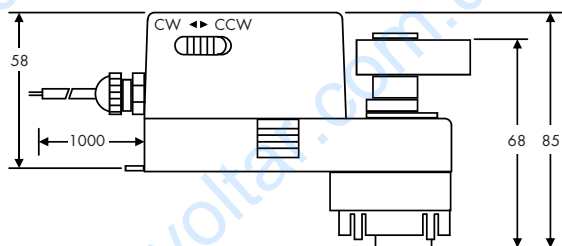
Torque	Running time	Power supply	Auxiliary switch	Model / Type
5 Nm	70...100 sec	AC/DC 24 V ± 15%	No	NEBA24-05
5 Nm	70...100 sec	AC/DC 24 V ± 15%	1 x SPDT	NEBA24-05 S1
5 Nm	70...100 sec	AC 230 V ± 10%	No	NEBA230-05
5 Nm	70...100 sec	AC 230 V ± 10%	1 x SPDT	NEBA230-05 S1



NENUTEC WATER - ROTARY VALVE ACTUATOR

STANDARD 5 Nm | 2 POINT AND 3 POINT CONTROL

ACTUATOR DIMENSIONS (mm)



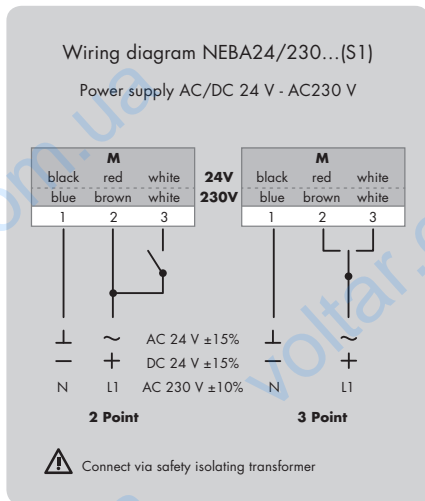
TECHNICAL SPECIFICATIONS

	NEBA24...(S1)	NEBA230...(S1)
Torque	5 Nm	5 Nm
Valve size	DN15 / DN20	DN15 / DN20
Shaft dimensions	□ 9 mm square fix	□ 9 mm square fix
Power supply	AC/DC 24V ± 15%	AC 230V ± 10%
Frequency	50 - 60 Hz	50 - 60 Hz
Control signal	2 point and 3 point	2 point and 3 point
Power consumption		
- Operating	1.2 VA	1.2 VA
- End position	0.7 VA	0.9 VA
For wire sizing	2.0 VA	2.0 VA
Auxiliary switch rating	3 (1.5) A, AC 250 V	3 (1.5) A, AC 250 V
Protection class	III ⬢	II □
Angle of rotation	max. \sphericalangle 90° (95° mechanical)	max. \sphericalangle 90° (95° mechanical)
Angle of limiting	mechanical end stop	mechanical end stop
Weight	< 0.8 kg	< 0.8 kg
Life cycle	60'000 rotation	60'000 rotation
Sound level	42 dB (A)	42 dB (A)
IP protection	IP 54 (dust protected & protected against splash water)	IP 54 (dust protected & protected against splash water)
Operating temperature	-20°...+50° C / IEC 721-3-3	-20°...+50° C / IEC 721-3-3
Non-operating temperature	-30°...+80° C / IEC 721-3-2	-30°...+80° C / IEC 721-3-2
Ambient humidity	5%...95% rH non condensing / EN 60730-1	5%...95% rH non condensing / EN 60730-1
Maintenance	Maintenance free	Maintenance free
Mode of operation	Type I / EN 60730-1	Type I / EN 60730-1
EMC	CE according to 2004 / 108 / EC	CE according to 2004 / 108 / EC



NENUTEC WATER - ROTARY VALVE ACTUATOR

STANDARD 5 Nm | 2 POINT AND 3 POINT CONTROL

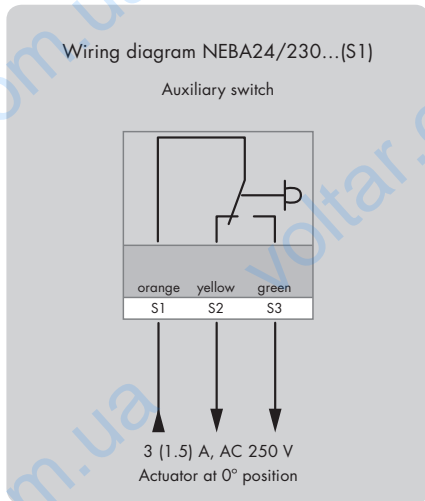
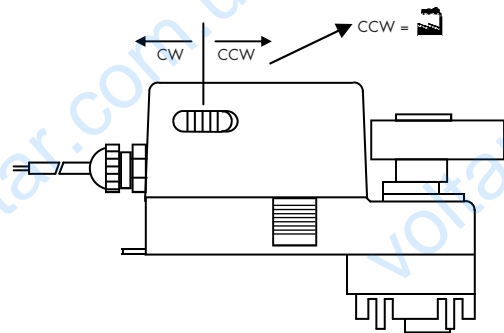


■ Changing direction of rotation NEBA24/230...(S1)

Factory-set CCW!

The direction of rotation can be changed by pushing the CW/CCW switch on the actuator's housing.

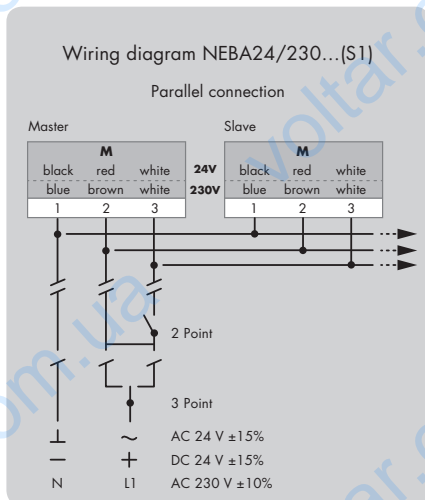
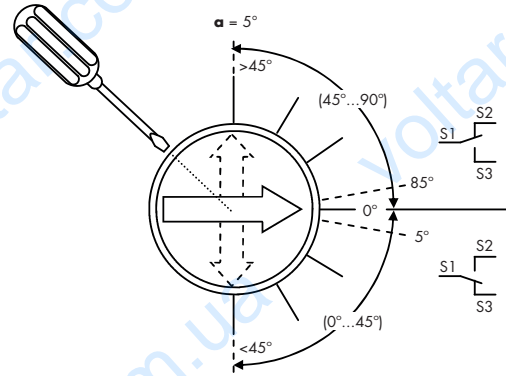
Ball valve actuators must operate CCW!



■ Adjustment of auxiliary switch NEBA24/230...(S1)

Switch **a** factory-set at 5°

The auxiliary switch can be optimally adjusted between 0°...90°.



■ Remark

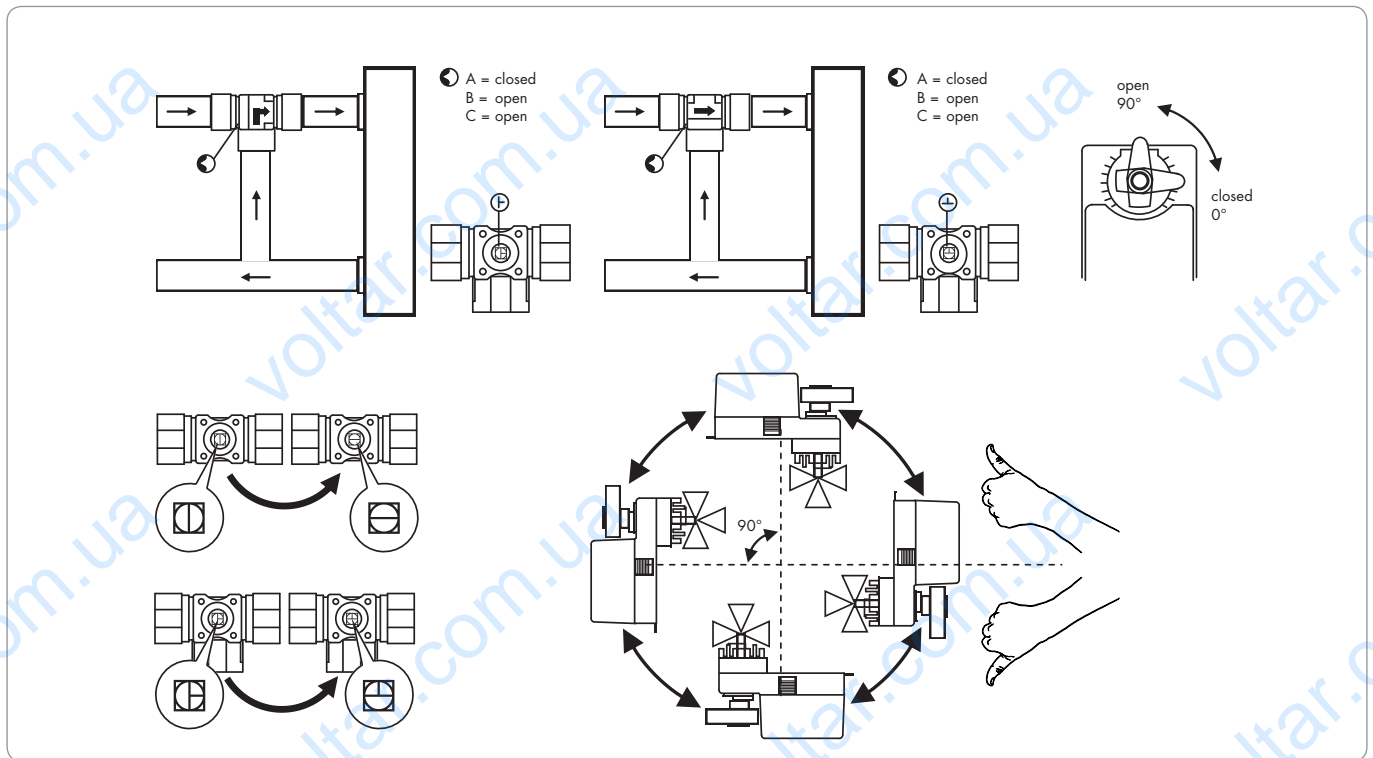
Parallel connection of maximum five NEBA...(S1) actuators is possible. The power consumption and distance between master and slave must be observed.

For more details of installation and commissioning, please observe our mounting instruction manual M-NEBA05.



NENUTEC WATER - ROTARY VALVE ACTUATOR

STANDARD 5 Nm | 2 POINT AND 3 POINT CONTROL



⚠ IMPORTANT REMARKS

This actuator includes electrical and electronic components and may not be disposed as household garbage. Please consider the local valid legislation.

AC/DC 24 V: Connect via safety isolating transformer. AC 230 V: To isolate from the main power supply, the system must incorporate a device which disconnects the phase conductor (with at least a 3 mm contact gap).

Consult NENUTEC representatives for specific requirements and material selections for your intended application. The entire content of this technical datasheet is protected by copyright with all rights reserved ©.

The performance specifications are nominal and conform to acceptable industry standards. NENUTEC shall not be liable for damages resulting from misapplication or misuse of its products.

CUSTOMISED VERSION

NENUTEC offers you actuators in customised versions, e.g. with your own brand name, with colour-coordinated applications and with your particular demand on request.

Please contact us for further information.