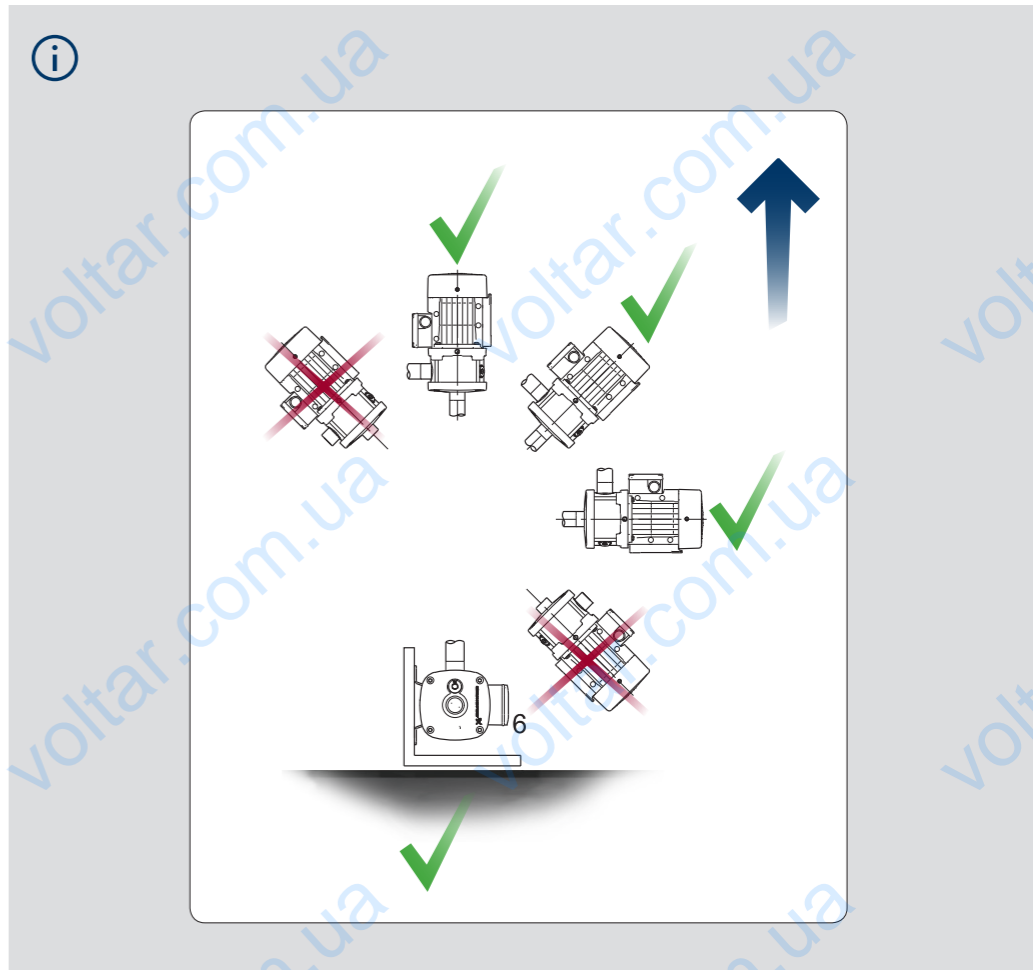
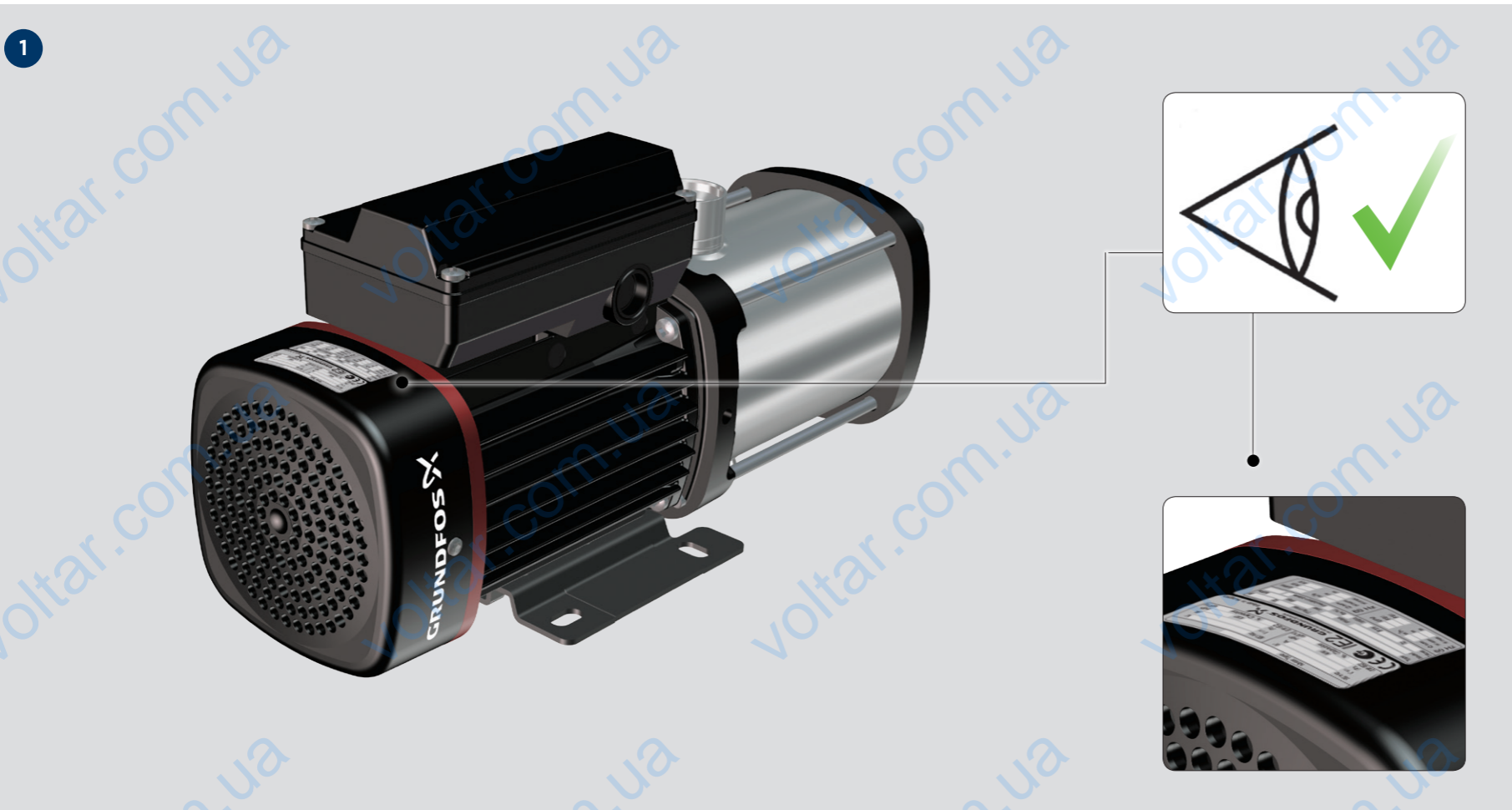
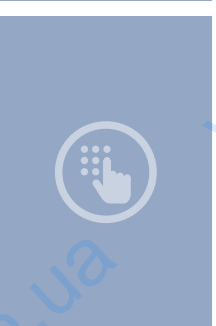


CM

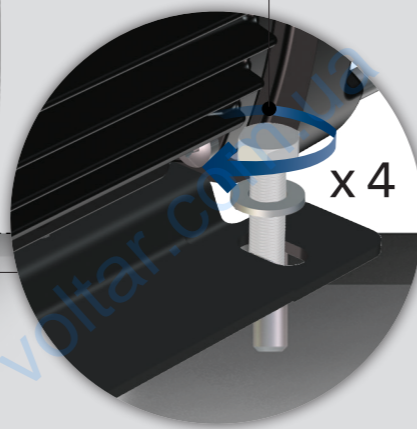
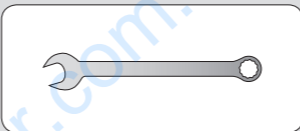
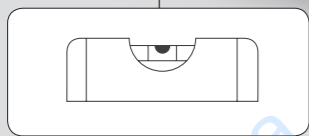
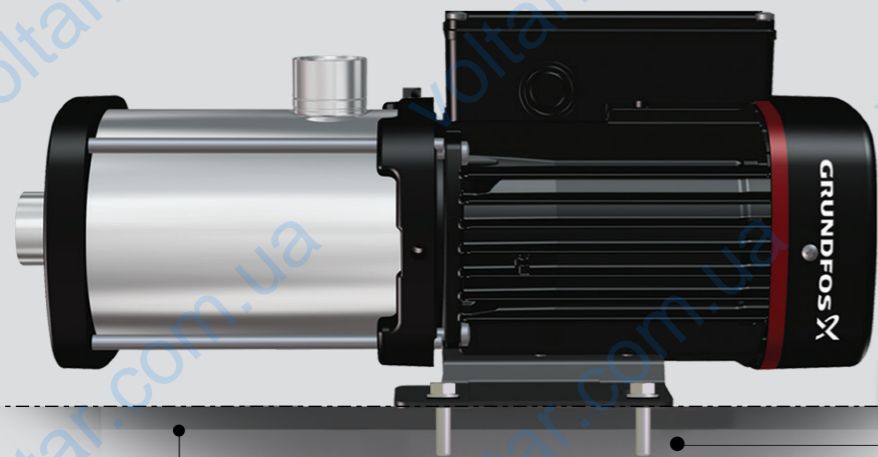
be  
think  
innovate

GRUNDFOS 

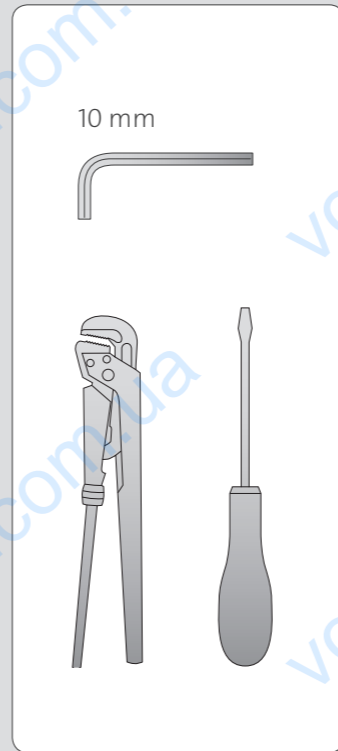




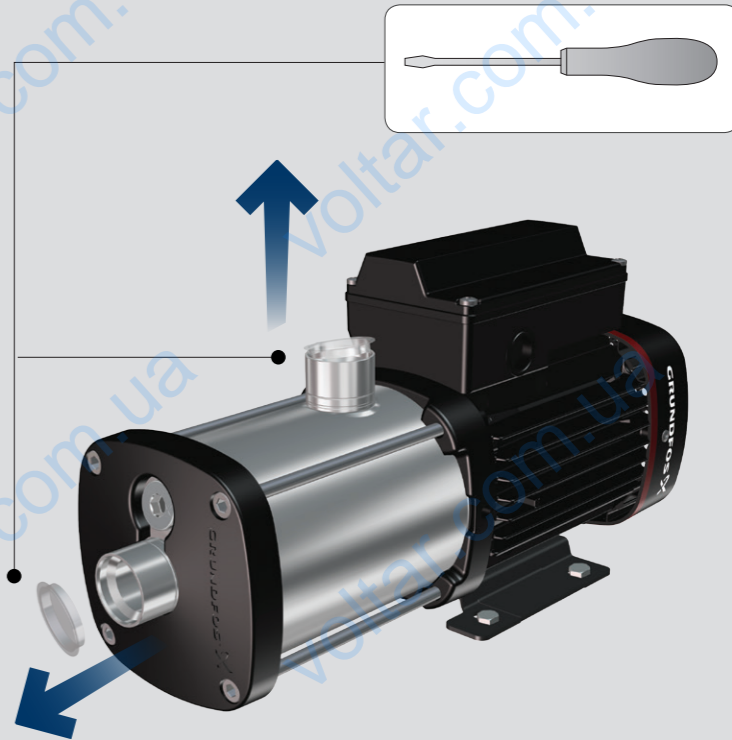
2

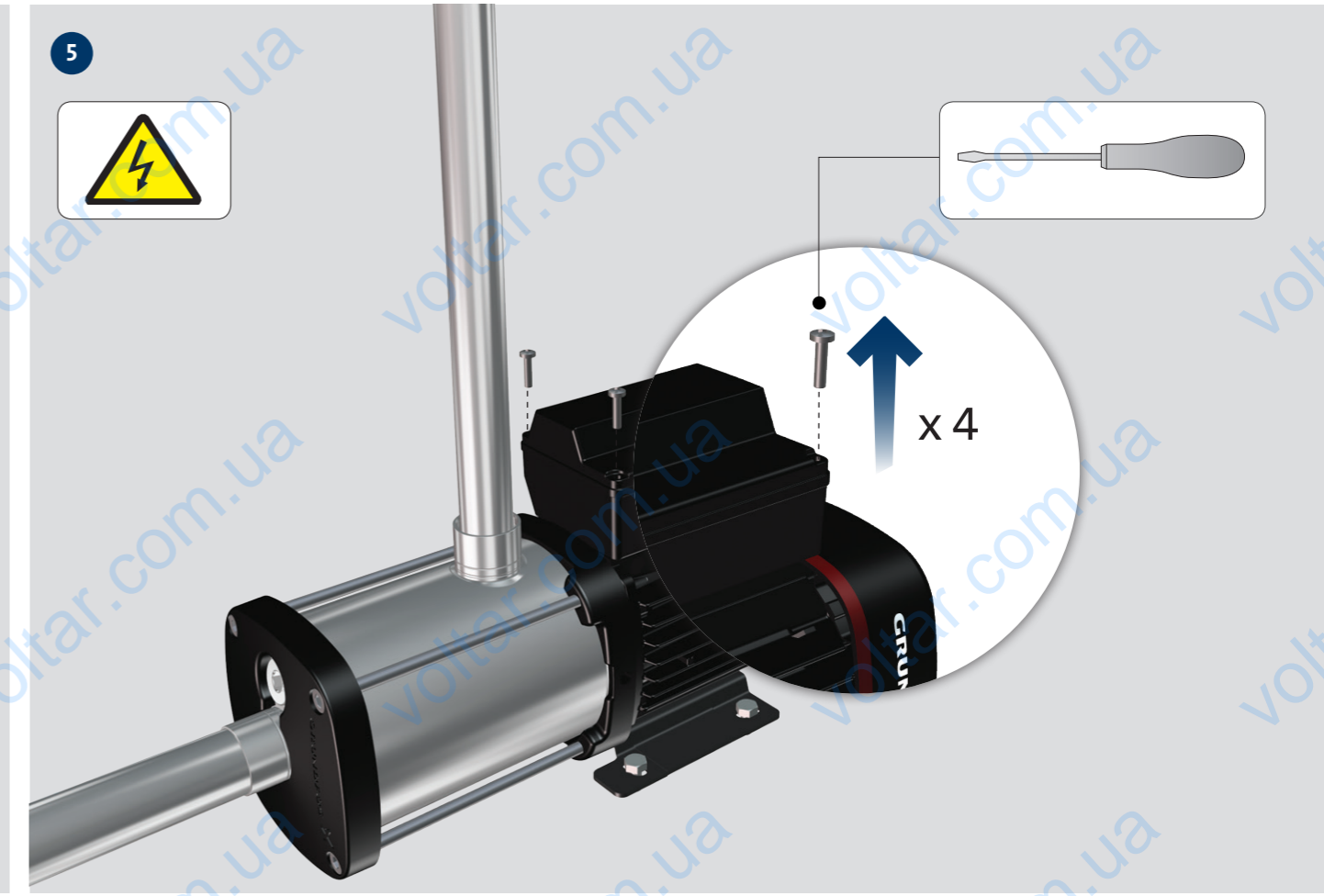
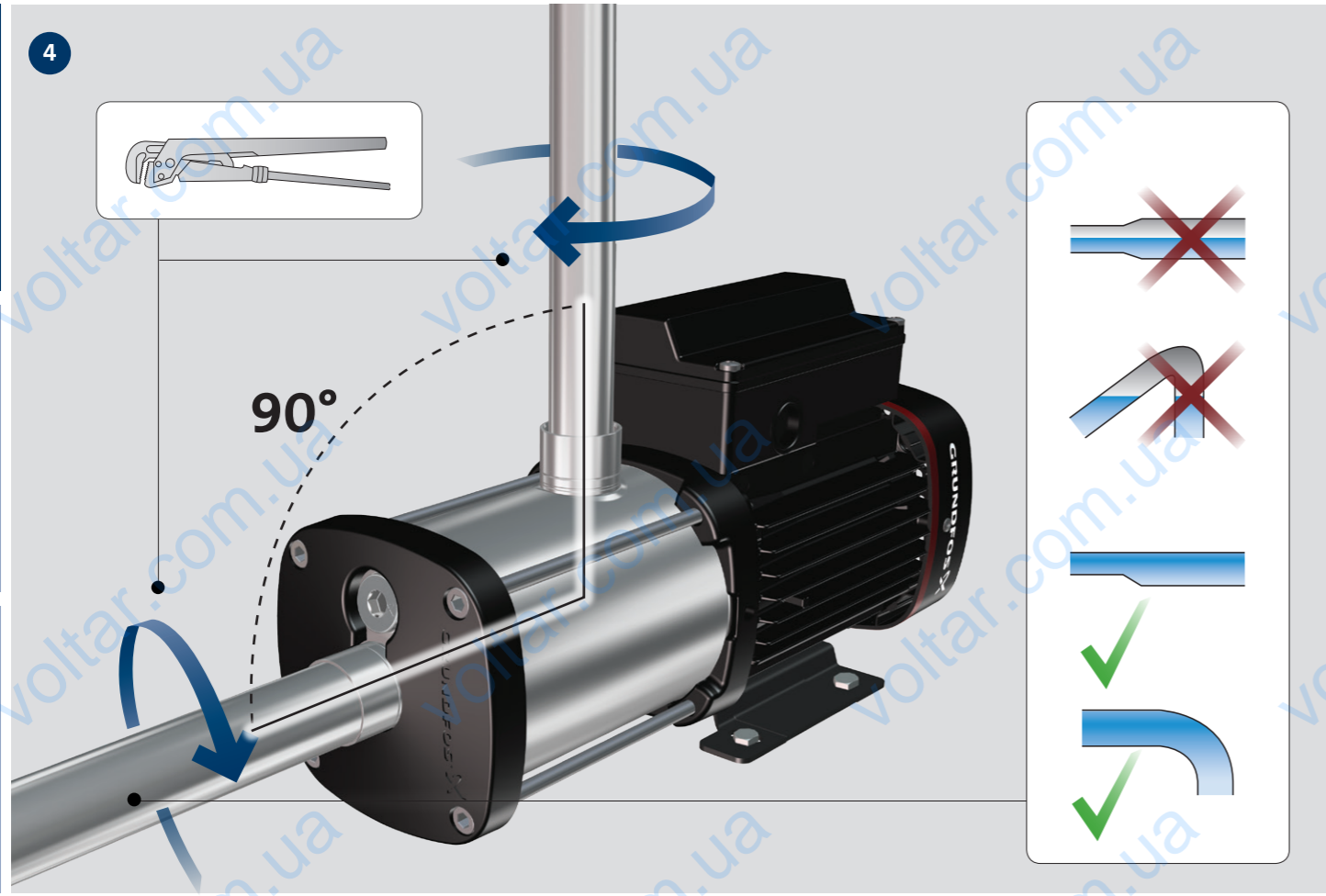


10 mm



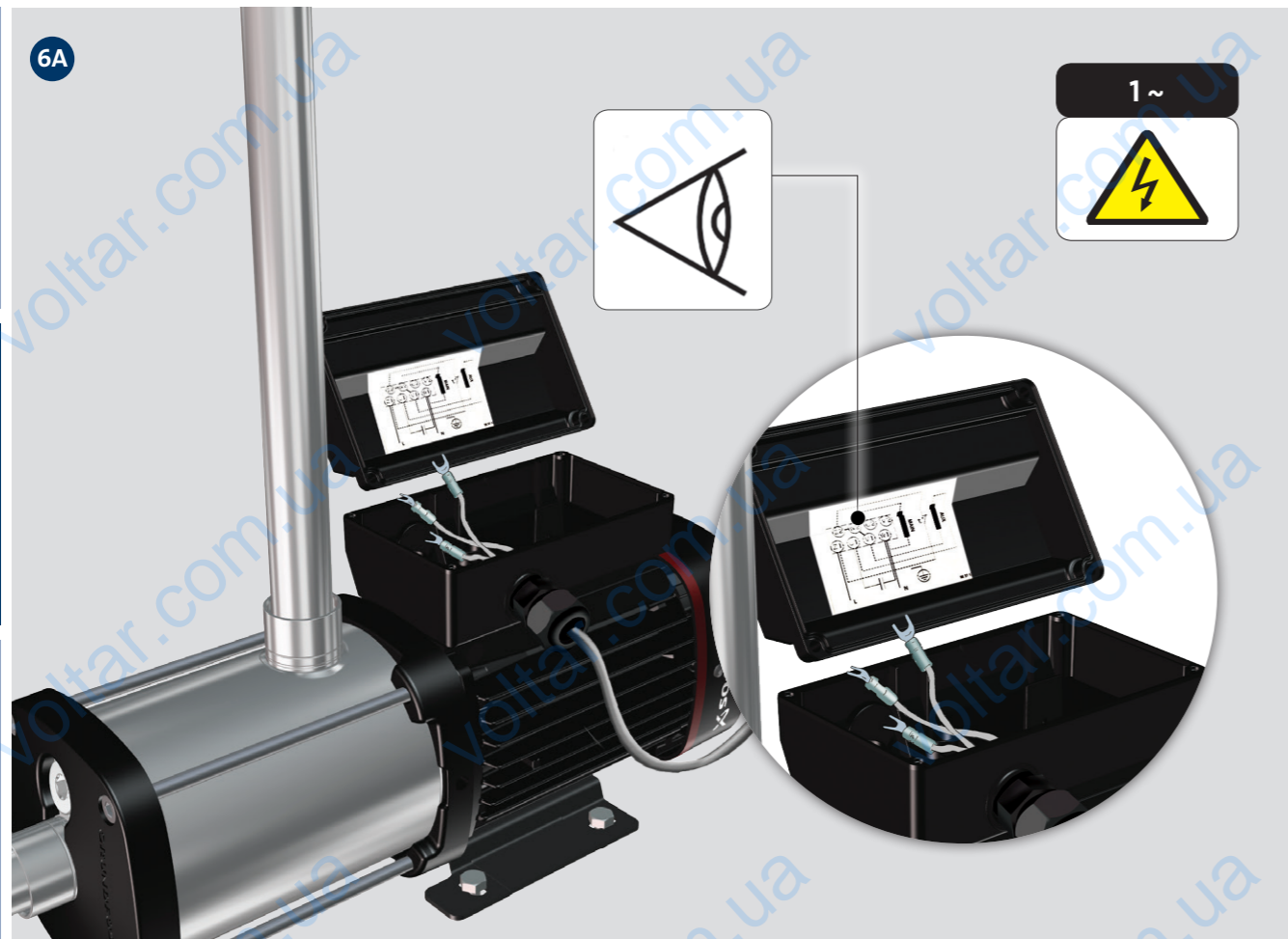
3



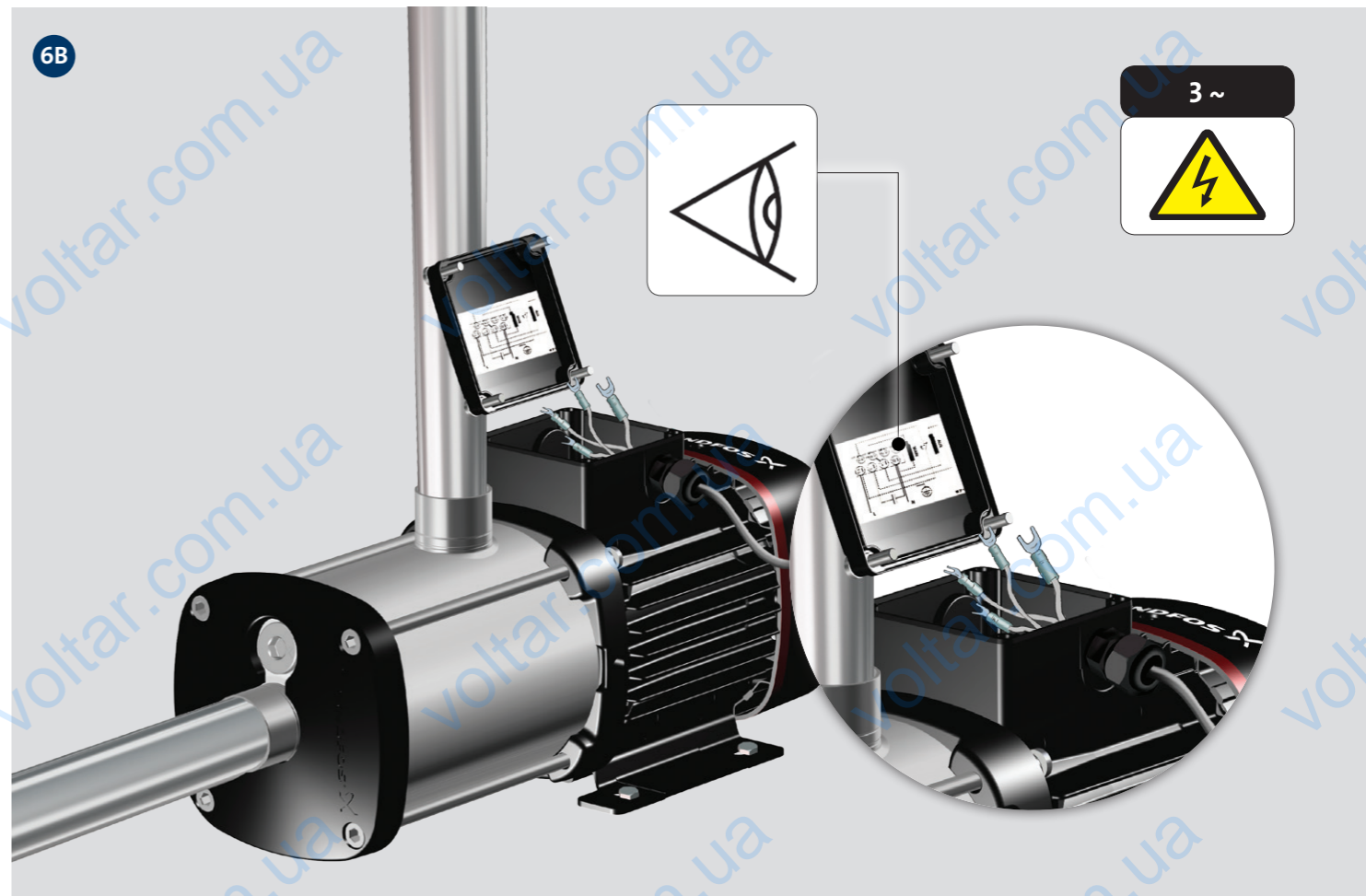


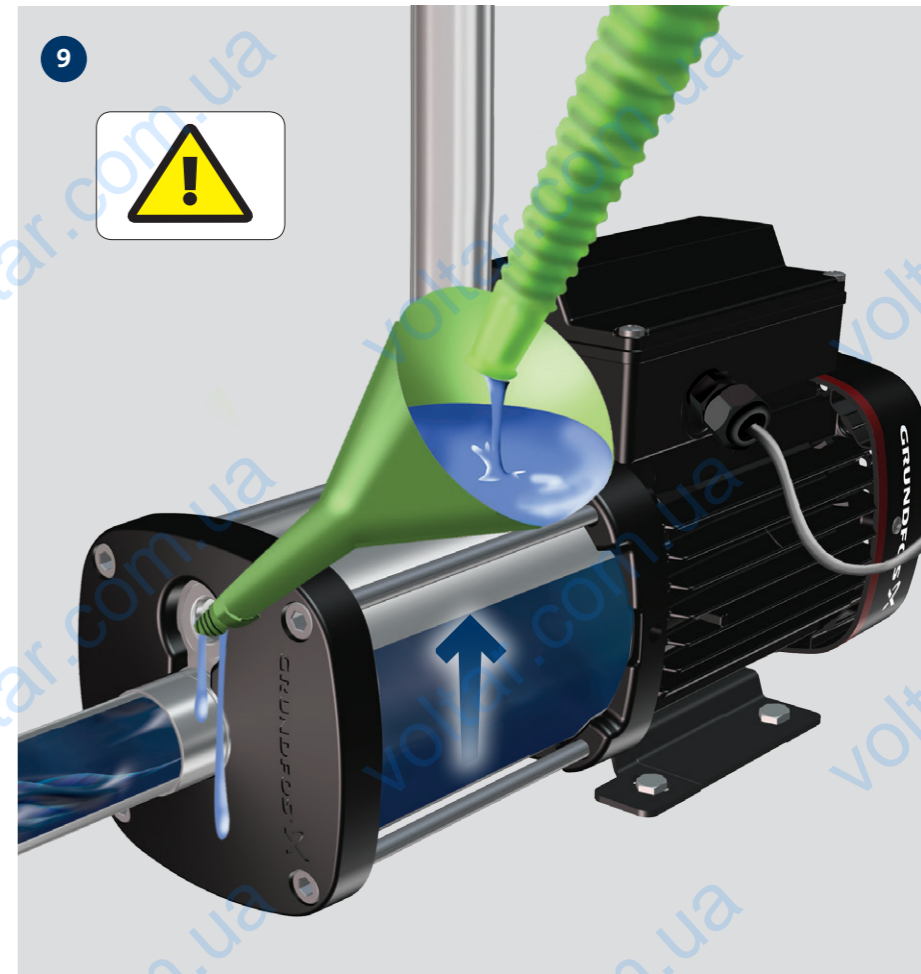
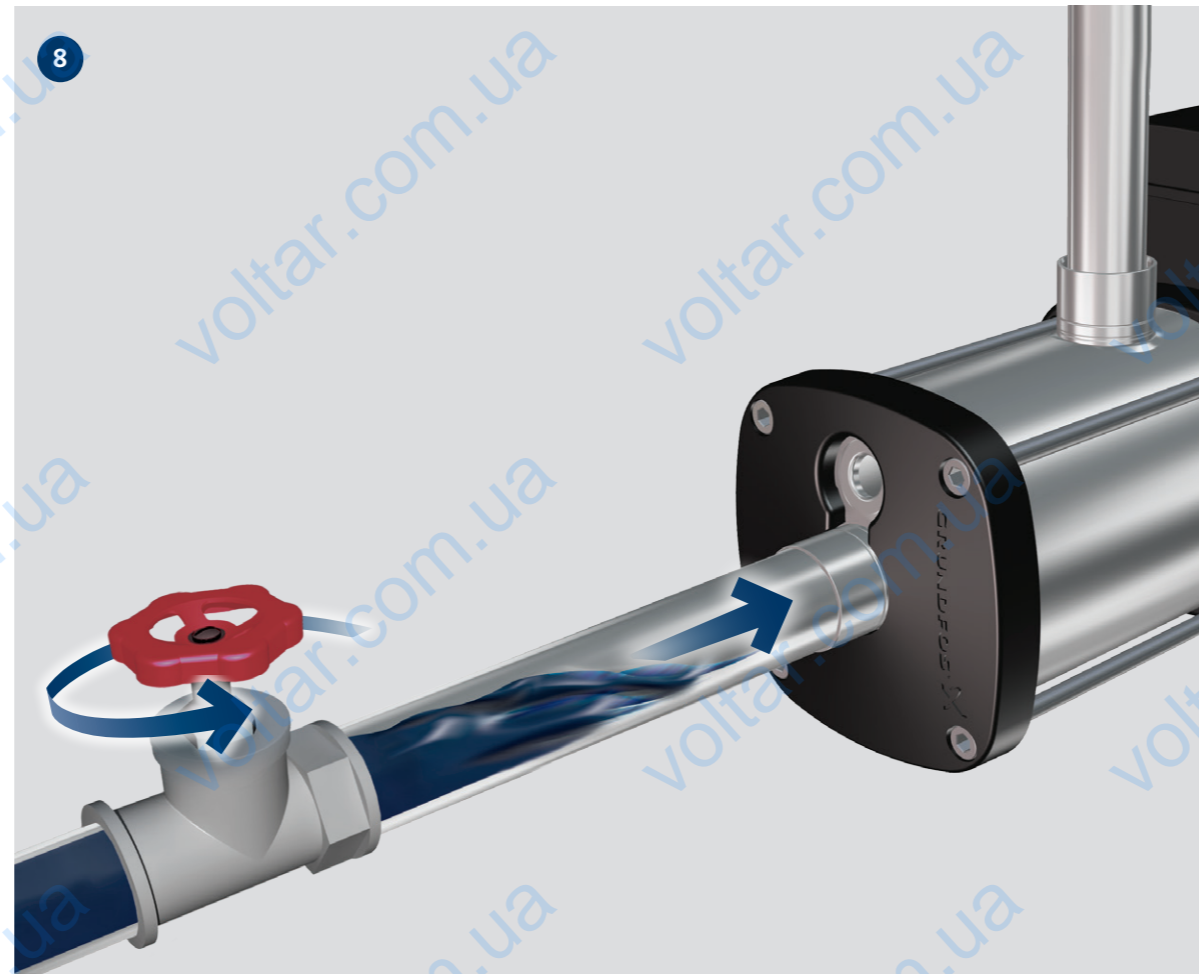


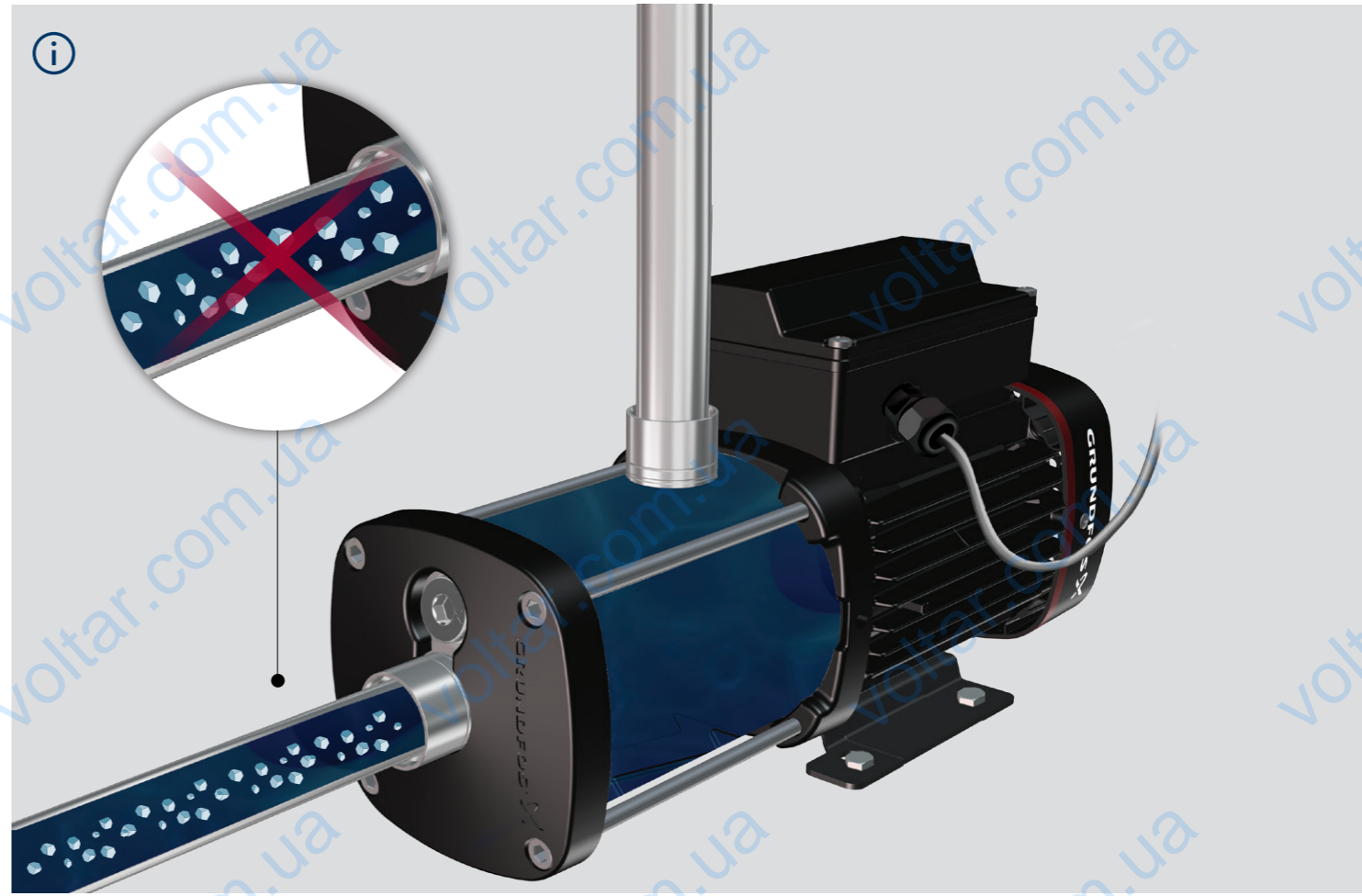
6A

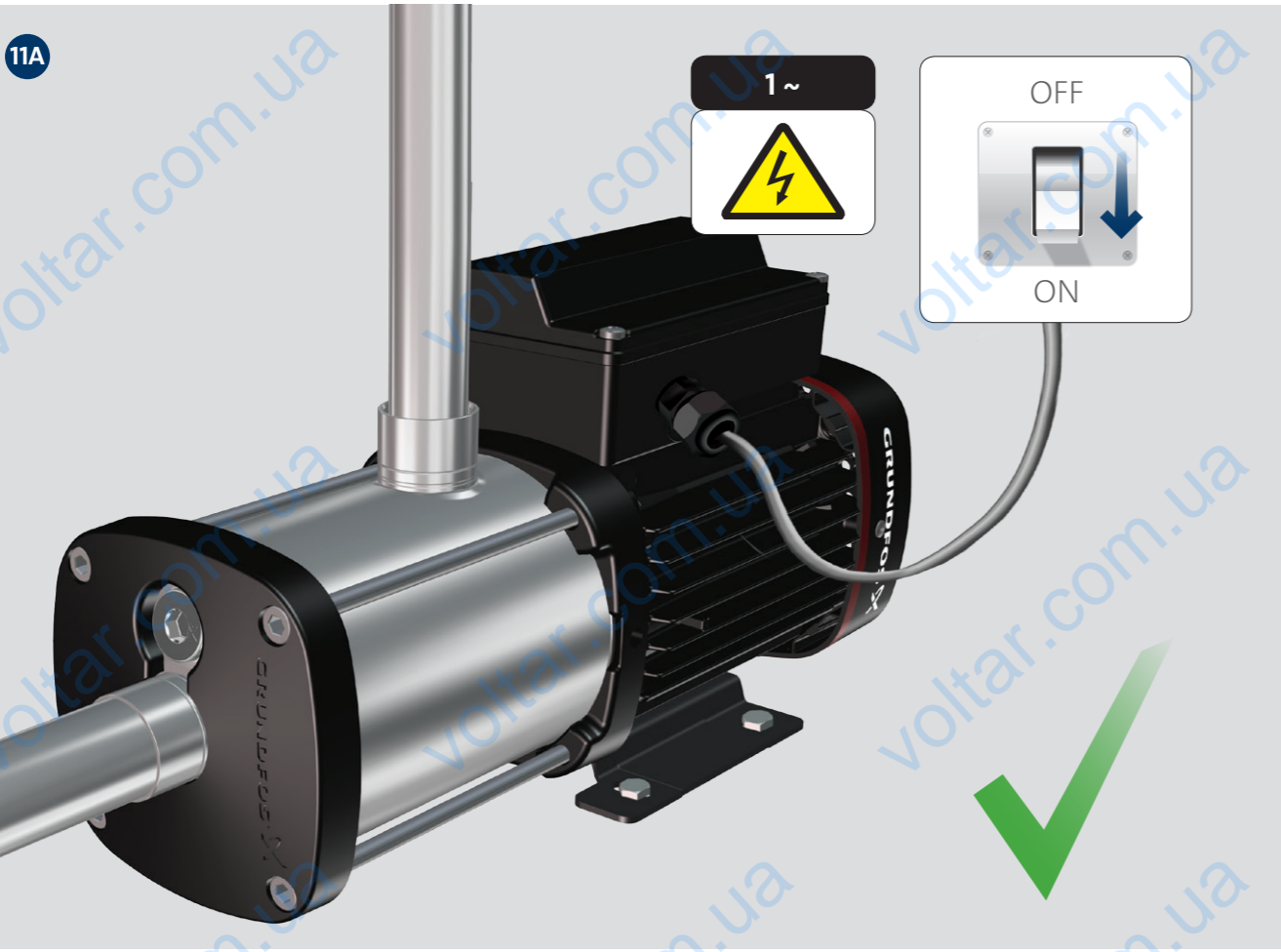


6B













i



[grundfos.com/CM-manual](http://grundfos.com/CM-manual)




---



---



---



---



---



---



---



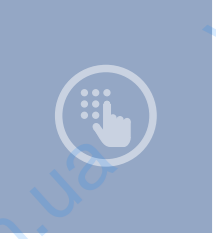
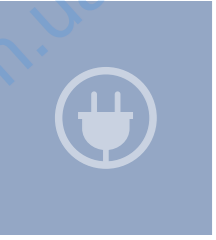
---



---



---



Eight horizontal lines for writing on a light gray background.

Eight horizontal lines for writing on a light gray background.

be think innovate

---

95121198 1013

ECM: 1122134

**GRUNDFOS Holding A/S**  
Poul Due Jensens Vej 7  
DK-8850 Bjerringbro  
Tel: +45 87 50 14 00  
[www.grundfos.com](http://www.grundfos.com)

**GRUNDFOS** 

The name Grundfos, the Grundfos logo, and be think innovate are registered trademarks owned by Grundfos Holding A/S or Grundfos A/S, Denmark. All rights reserved worldwide.