

PUFFER

HEATING WATER BUFFER TANK



APPLICATION

Efficient storage of hot water for heating purpose.

MATERIAL

Mild steel painted on the outside. Buffer intended for closed circuit installation, so no anti-corrosion treatment is provided.

TECHNICAL DESCRIPTION

Used to improve flexibility and performance of pellets, stoves and burners. PUFFER are used in units with a typically discontinuous energy source.

Available models with 3 or 6 bar working pressure.

INSULATION

- HARD: High thermal insulation with ecological polyurethane hard foam.

- SOFT: NOFIRE® polyester fleece 100% made of recyclable material, with high thermal insulation. Fire resistance class B-s2d0 according to EN 13501.

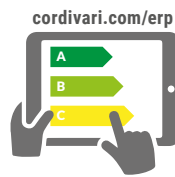
Grey PVC external lining.

WARRANTY

5 years (See general sales conditions and warranty)

ACCESSORIES AND SPARE PARTS

See Accessories section for the entire list.



On line ErP label tool



STORAGE	
Pmax	Tmax
6 bar	99 °C



PUFFER VB 6 BAR

Model	HARD FOAM insulation	ENERGY EFFICIENCY CLASS
Art. Nr.		
500	3251162312531	C



PUFFER VC 6 BAR

Model	DISMOUNTABLE SOFT FLEECE insulation	ENERGY EFFICIENCY CLASS
Art. Nr.		
800	3251162282611	C
1000	3251162282612	C
1500	3251162282613	C
2000	3251162282614	C
3000	3251162282615	
5000	3251162282616	



PUFFER VB

Model	HARD FOAM insulation	ENERGY EFFICIENCY CLASS
Art. Nr.		
200	3251162312501	B
300	3251162312502	B
500	3251162312503	C
600	3251162312504	C
750	3251162312525	B
800	3251162312526	B
1000	3251162312527	C
1250	3251162312508	B
1500	3251162312509	C
2000	3251162312510	B



PUFFER VB

Model	DISMOUNTABLE HARD FOAM insulation	ENERGY EFFICIENCY CLASS
Art. Nr.		
750	3251162312505	B
800	3251162312506	B
1000	3251162312507	C



PUFFER VC

Model	DISMOUNTABLE SOFT FLEECE insulation	ENERGY EFFICIENCY CLASS
Art. Nr.		
750	3251162282804	C
800	3251162282805	C
1000	3251162282806	C
1500	3251162282807	C
2000	3251162282808	C
3000	3251162282608	
5000	3251162282610	

ACCESSORIES

Thermometer

Art. Nr.
5032240000107
5 units box



Buffer tanks connecting kit

Art. Nr.	Connection
5006170001001	1" 1/2
Stainless steel extensible connecting kit - (200 ÷ 400 mm)	



PUFFER

HEATING WATER BUFFER TANK

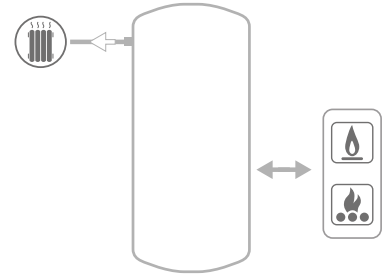
STORAGE

P _{max}	T _{max}
3 bar	99 °C

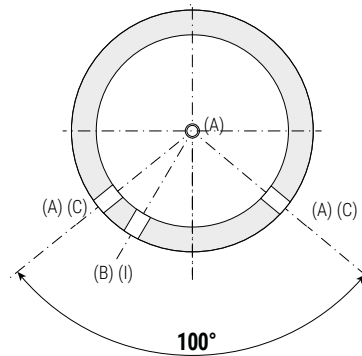
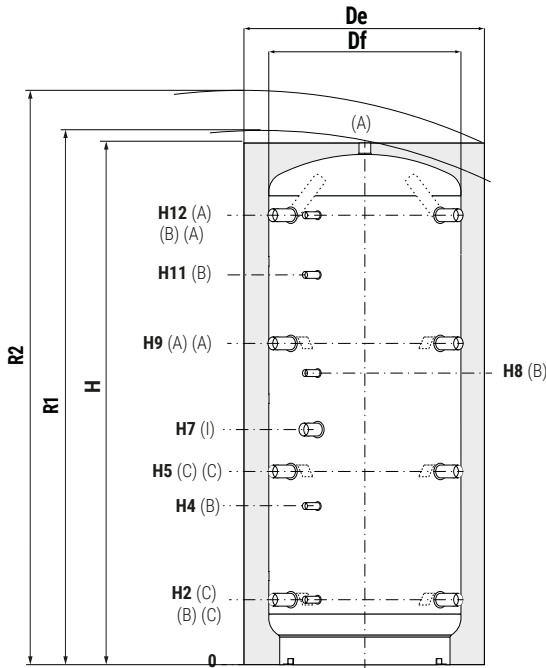


CORDIVARI Lab

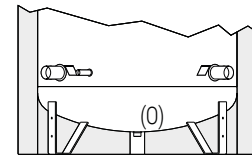
TÜV Rheinland Energie und Umwelt GmbH states that test procedures and Cordivari LAB are certified conforming to European standard EN 15332, as indicated by Ecodesign ErP Directive.



See **TECHNICAL SUPPORT** chapter for example of installation



- A** Heating delivery/from generator
- B** Connection for instrumentation 1/2" G F
- C** Heating return/to generator
- I** Connection for electric immersion heater.
- O** Drain only for models 3000 e 5000



Standard supporting feet for models 3000 and 5000. Drain welded on the bottom.

Model	Volume [lit]	Df (vers. VC) [mm]	De (vers. VC) [mm]	De (vers. VB) [mm]	H [mm]	R1 [mm]	R2 [mm]	H2 [mm]	H4 [mm]
200	180	//	//	550	1299	//	1415	218	430
300	279	//	//	650	1340	//	1495	232	444
500	478	//	//	750	1620	//	1790	247	533
600	560	//	//	750	1870	//	2020	247	582
750	717	790	1010	950	1658	1710	1915	265	584
800	805	790	1010	950	1840	1890	2075	265	584
1000	946	790	1010	950	2130	2175	2340	265	656
1250	1248	//	//	1050	2201	//	2445	313	705
1500	1454	950	1210	1100	2250	2305	2510	313	736
2000	1973	1100	1360	1300	2320	2390	2665	347	770
3000	2915	1250	1450	//	2814	2890	3170	556	1017
5000	4985	1600	1800	//	2929	3045	3445	586	1047

Model	H5	H7	H8	H9	H11	H12	A - C - I	O
200	500	576	711	782	871	1064	1"1/2	//
300	514	590	725	796	885	1078	1"1/2	//
500	629	841	930	1011	1231	1343	1"1/2	//
600	695	915	1060	1144	1382	1593	1"1/2	//
750	630	823	938	995	1180	1371	1"1/2	//
800	690	823	988	1115	1332	1541	1"1/2	//
1000	787	998	1188	1309	1588	1831	1"1/2	//
1250	835	986	1168	1357	1568	1879	1"1/2	//
1500	845	1061	1286	1377	1653	1909	1"1/2	//
2000	879	1060	1300	1411	1687	1943	1"1/2	//
3000	1071	1693	1879	1786	2140	2402	2"	1"
5000	1101	1691	1889	1816	2159	2432	2"	2"