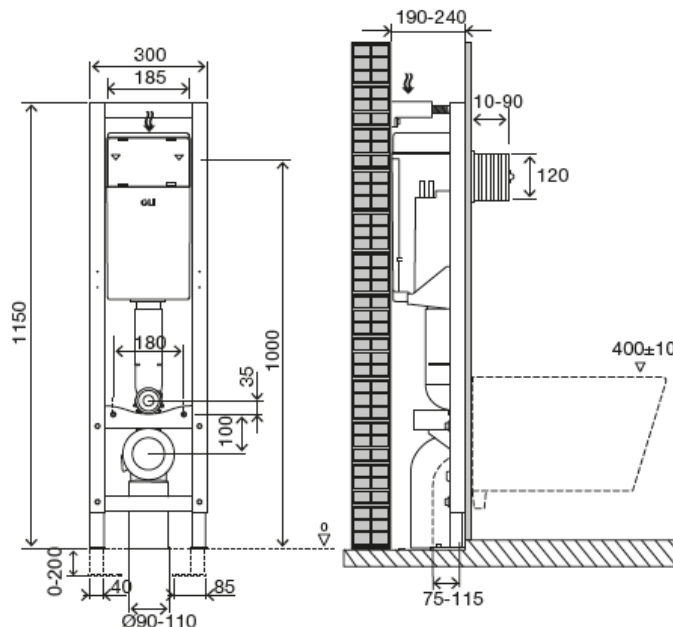


Technical Sheet

Quadra Plus Mechanic Sanitarblock



Product Identification

135974

Quadra Plus Mechanic Sanitarblock

Definition and Application

- Preassembled structure for installation in front of masonry wall and finish in light wall, plasterboard wall and technical support rail for light wall
- Compatible with all wall-hung WC pans with a 180mm fixation length

Technical Features

Cistern

- Dual flush of 6/3 in-wall cistern compatible with either dual or single flush actuators 6/3 litres
- Equipped with Azor Plus Inlet Valve, with delayed refilling (saves up to 9 litres of water per day) and silent according to the NF standard category Class I
- 187mm thickness
- 300mm reduced width

Millimetres measures

- Mechanic actuation
- Polypropylene (PP) cistern highly resistant and inalterable to thermal stress
- Other versions compliant with: NF Standard
- EN 14055 marking CL1
- Supplied with anti-condensation lining

Structure

- Metal, corrosion resistant
- Metallic links
- Optional corner kit
- Height regulation of the adjustable (0-200 mm);
- 300mm, reduced width
- Depth adjustable outlet bend
- Tested for 400kg load

Accessories

- 1 Discharge pipe \varnothing 90 x 315
- 1 Seal for discharge pipe \varnothing 125
- 1 Connecting pipe \varnothing 45 x 180
- 1 Pan rubber seal \varnothing 45
- 1 Protective box
- 1 G 1/2" stop valve
- 1 Protection sponge for the stop valve
- 1 Flush bend \varnothing 90 / 90 L230
- 1 Protection pipe \varnothing 90
- 1 Protection pipe \varnothing 45
- 1 Adaptor pipe \varnothing 90/110

For fixing wall structure:

- 4 Galvanized screws M8x60
- 4 Galvanized washers M8 DIN 9021
- 4 Bushing for metal structure
- 2 Fixing Metallic links

Fixing accessories for toilet bowl mounting on the structure:

- 2 Threaded rods M12
- 2 Protection for threaded rod
- 2 Protection cover
- 2 Washers for WC pan fixation
- 2 Nuts M12
- 2 Washers \varnothing 34

Warranty

- Ten (10) years warranty according to the general selling terms, starting from the purchase date of the product.
- If the product is not correctly installed the warranty is not valid

Technical Sheet

Quadra Plus Mechanic Sanitarblock



Observations

- There are available similar products. For more information please consult our Sanitary Installation Systems catalogue or our site www.oli-world.com