

VASO A MEMBRANA VERNICIATO PED VT

VERTICAL PAINTED EXPANSION VESSEL WITH MEMBRANE (DIR. 97/23/CE-P.E.D.)



CE



Model	VASO MEMB. V PED VT	
	Art. Nr.	
50	3911162241007	
80	3911162241008	
100	3911162241003	
200	3911162241004	
300	3911162241005	
500	3911162241006	

PRESSURE	TEMPERATURE
Pmax	Tmax
10 bar	[see table]

TECHNICAL DESCRIPTION

Vertical V PED expansion vessels with membrane are used for lifted water system and they represent a pressurized water lung that, if duly dimensioned, reduces pump cycling.

The peculiarity of this product is the physic separation between water and air made by the membrane.

APPLICATION

Perfect to ensure water deliveries to the top floors of the building or to work in case of insufficient water supplied by waterworks, or to

stabilize pressure in the domestic water supply by absorbing expansion when the water is heated.

MATERIAL

Painted mild steel.

MEMBRANE

Elastic EPDM membrane suitable for drinking water.

CERTIFICATIONS

V PED VT expansion vessels with membrane are produced in accordance with safety disposal of

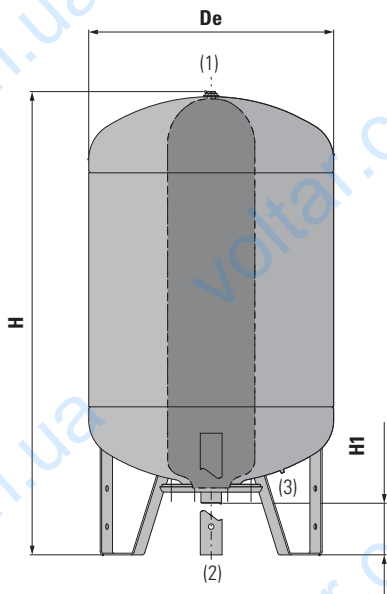
European Directive 97/23/CE (P.E.D.) in terms of pressurized.

They are CE labelled with design data:

- pressurized fluid: water+air or nitrogen
- Fluid group: 2
- max. working pressure: 10bar

DOCUMENTS ATTACHED

- CE certification
- User Instructions



Model	De	H	H1	Connections Gas			Temp. min/max °C	
				1	2	3		
50	400	627	91	Air inlet valve	1" M	Water in/out	-10/+99	
80	450	717	88		1" M		-10/+99	
100	450	872	88	1/2"	Instrumentation	Air inlet valve	-10/+99	
200	550	1187	151	1/2"			1" 1/4 F	-10/+99
300	650	1254	150	1/2"			1" 1/4 F	0/+50
500	750	1511	144	1/2"			1" 1/4 F	0/+50

VASO A MEMBRANA VERNICIATO PED 24 LT

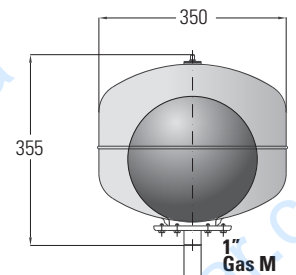
PAINTED EXPANSION VESSEL WITH MEMBRANE (DIR. 97/23/CE-P.E.D.)



CE



Model	VASO MEMB. V PED 24 LT	
	Art. Nr.	
24	3901190610001	



VASO A MEMBRANA VERNICIATO PED OR

HORIZONTAL PAINTED EXPANSION VESSEL WITH MEMBRANE (DIR. 97/23/CE-P.E.D.)

Model	VASO MEMB. V PED OR	
	Art. Nr.	
50	3911161341007	
80	3911161341008	
100	3911161341003	
200	3911161341004	
300	3911161341005	



PRESSURE	TEMPERATURE
Pmax	Tmax
10 bar	[see table]

TECHNICAL DESCRIPTION

Horizontal V PED expansion vessels with membrane are used for lifted water system and they represent a pressurised water lung that, if duly dimensioned, reduces pump cycling. The peculiarity of this product is the physic separation between water and air made by the membrane.

APPLICATION

Perfect to ensure water deliveries to the top floors of the building or to work in case of insufficient water supplied by waterworks, or to

stabilize pressure in the domestic water supply by absorbing expansion when the water is heated.

MATERIAL

Painted mild steel.

MEMBRANE

Elastic EPDM foodstuff membrane suitable for drinking water.

CERTIFICATIONS

V PED OR expansion vessels with membrane are produced in accordance with safety disposal of

European Directive 97/23/CE (P.E.D.) in terms of pressurized.

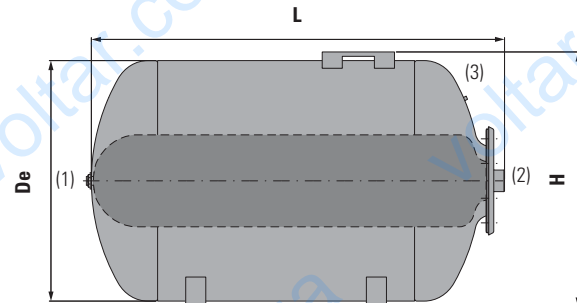
They are CE labelled with design data:

- pressurized fluid: water+air or nitrogen
- Fluid group: 2
- max. working pressure: 10bar

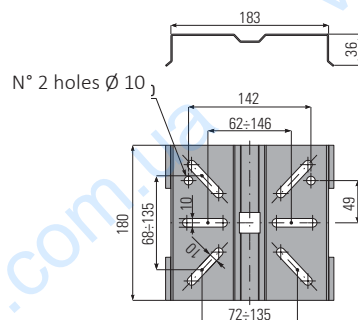
DOCUMENTS ATTACHED

- CE certification
- User Instructions

Model	De	H	L	Connections Gas			Temp. min/max °C	
				1	2	3		
50	400	424	538	Air inlet valve	1" M	Water in/out	-	-10 / +99
80	450	473	598		1" M		-	-10 / +99
100	450	473	783	Instrumentation	1" M	Air inlet valve	-	-10 / +99
200	550	583	1066		1"1/4 F		-	-10 / +99
300	650	807	1080		1"1/4 F		0 / +50	



MOTOR SUPPORT PLATE
50/80/100/200 liters



MOTOR SUPPORT PLATE
300/500 liters

