

# VOLANO TERMICO PDC

## BUFFER TANK FOR HEAT PUMP



PRESSURE	TEMPERATURE
Pmax	Tmax
4 bar	-10 / +95 °C



See TECHNICAL SUPPORT chapter for example of installation

### TECHNICAL DESCRIPTION

Buffer either for hot or cold water provided by heat pump, in order to limit the generator on/off switchings.

### MATERIAL

Mild steel.

### EXTERNAL LINING

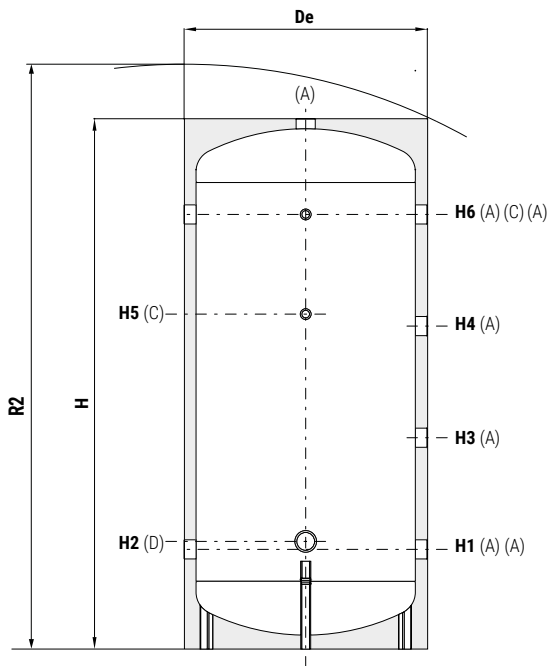
Grey PVC.

### INSULATION

High thermal insulation with ecological polyurethane hard foam.

### WARRANTY

2 years-See general sales conditions and warranty.



- A** To the System
- C** Connection for instrumentation 1/2" F
- D** Connection for electric immersion heater 1" 1/2 F

### VOLANO TERMICO PDC

ENERGY EFFICIENCY CLASS

Model	MILD STEEL BUFFER TANK (suitable for heat pump)	ErP
Art. Nr.		
100	3001162311001	C
200	3001162311002	C
300	3001162311003	C
500	3001162311004	C

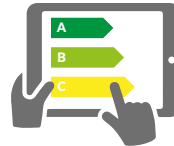
Model	12 unit box	ErP
Art. Nr.		
100	300116231100712	C

### VOLANO TERMICO PDC (B class)

ENERGY EFFICIENCY CLASS

Model	MILD STEEL BUFFER TANK (suitable for heat pump)	ErP
Art. Nr.		
500	3001162311014	B

cordivari.com/erp



On line ErP label tool



**CORDIVARI** Lab

TÜV Rheinland Energie und Umwelt GmbH states that test procedures and Cordivari LAB are certified conforming to European standard EN 15332, as indicated by Ecodesign ErP Directive.



Model	Volume [lt]	Weight [Kg]	De	H	R2	H1 [mm]	H2	H3	H4	H5	H6	A
100	95	23	461	990	1100	206	246	374	543	511	711	1"
200	180	41	517	1289	1395	206	246	489	793	836	1086	1"
300	280	51	624	1346	1490	256	276	536	816	846	1096	1"1/4
500	478	76	725	1641	1800	271	291	634	998	1091	1361	1"1/4

Model	Volume [lt]	Weight [Kg]	De	H	R2	H1 [mm]	H2	H3	H4	H5	H6	A
500 (B)	478	76	750	1641	1810	271	291	634	998	1091	1361	1"1/4

