

## Submersible pumps

-  Sewage water
-  Domestic use
-  Civil use



### PERFORMANCE RANGE

- Flow rate up to **400 l/min** (24 m<sup>3</sup>/h)
- Head up to **13 m**

### APPLICATION LIMITS

- **5 m** maximum immersion depth (with a sufficiently long power cable)
- Maximum liquid temperature **+40 °C**
- Passage of solids:
  - up to **Ø 30 mm** for ZXm 2/30
  - up to **Ø 40 mm** for ZXm 2/40
- Minimum immersion depth for continuous service:
  - **265 mm** for ZXm 2/30
  - **275 mm** for ZXm 2/40

### CONSTRUCTION AND SAFETY STANDARDS

The pumps are complete with:

- **5 m** long power cable
- float switch
- kose connection Ø 50 mm

EN 60335-1  
IEC 60335-1  
CEI 61-150

EN 60034-1  
IEC 60034-1  
CEI 2-3



### CERTIFICATIONS

Company with management system certified DNV  
ISO 9001: QUALITY



### INSTALLATION AND USE

**ZX2** series pumps are suitable for draining **dirty water** in domestic and civil applications and for pumping dirty water containing suspended solids up to Ø 40 mm. They distinguish themselves for the ease with which they are installed and their reliability under automatic operating conditions in fixed installations.

### PATENTS - TRADE MARKS - MODELS

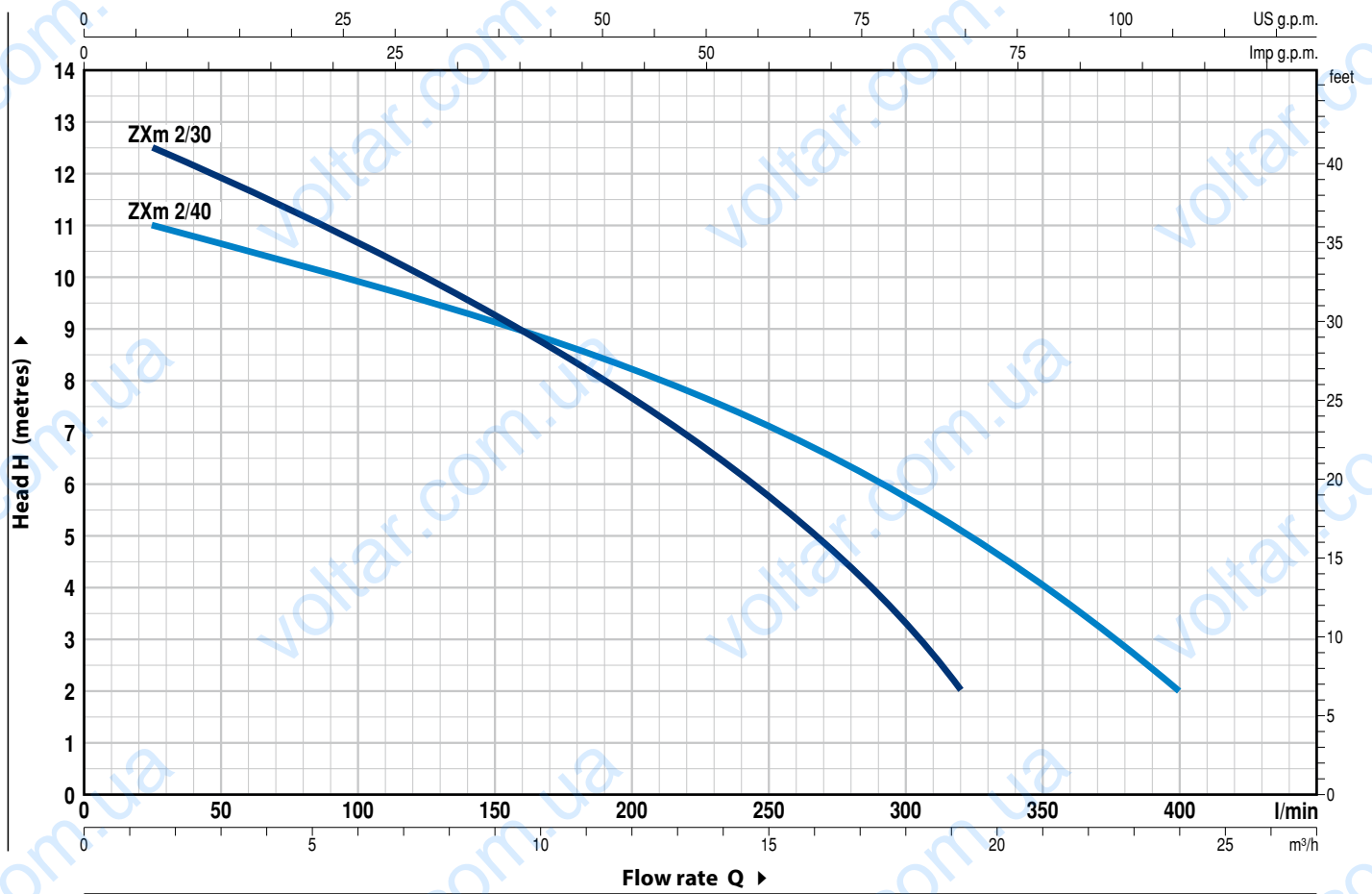
- Patent n° EP2313658
- Patent Pending n° BO2015A000116

### OPTIONS AVAILABLE ON REQUEST

- Pumps with a 10 m long power cable.
  - ➔ N.B.: Standard EN 60335-2-41 states that the power cable must be 10 m long for outdoor applications
- Single-phase pumps without float switch
- Other voltages or 60 Hz frequency

## CHARACTERISTIC CURVES AND PERFORMANCE DATA

50 Hz n= 2900 min<sup>-1</sup>



MODEL	POWER (P <sub>2</sub> )		Q	Flow rate												
	kW	HP		m <sup>3</sup> /h	0	1.5	3	6	9	12	15	18	19.2	21	24	
Single-phase			l/min	0	25	50	100	150	200	250	300	320	350	400		
ZXm 2/30	0.55	0.75	H metres	13	12.5	11.8	10.6	9.3	7.6	5.8	3.3	2				
ZXm 2/40	0.55	0.75		11.5	11	10.6	9.8	9.2	8.2	7.2	5.7	5.2	4	2		

Q = Flow rate H = Total manometric head

Tolerance of characteristic curves in compliance with EN ISO 9906 Grade 3B.

### VORTEX IMPELLER



## POS. COMPONENT CONSTRUCTION CHARACTERISTICS

<b>1 PUMP BODY</b>	Glass fibre reinforced technopolymer complete with threaded delivery port in compliance with ISO 228/1 (5 years guarantee)				
<b>2 BASE</b>	Glass fibre reinforced technopolymer				
<b>3 IMPELLER</b>	Glass fibre reinforced technopolymer VORTEX type				
<b>4 MOTOR CASING</b>	Stainless steel AISI 304				
<b>5 MOTOR CASING PLATE</b>	Stainless steel AISI 304				
<b>6 MOTOR SHAFT</b>	Stainless steel AISI 431				
<b>7 SHAFT WITH DOUBLE MECHANICAL SEAL SEPARATED BY AN OIL CHAMBER</b>					
<b>Seal Model</b>	<b>Shaft Diameter</b>	<b>Position</b>	<b>Materials</b>		
			<b>Stationary ring</b>	<b>Rotational ring</b>	<b>Elastomer</b>
<b>MG1-14D SIC</b>	<b>Ø 14 mm</b>	Motor side	Silicon carbide	Graphite	NBR
		Pump side	Silicon carbide	Silicon carbide	NBR
<b>8 BEARINGS</b>	<b>6203 ZZ / 6203 ZZ</b>				

**9 CAPACITOR**

**Capacitance**  
(220-230 V or 240 V)

20 µF 450 VL

**10 ELECTRIC MOTOR**

**ZXm 2:** single-phase 220-230 V - 50 Hz  
with thermal overload protector incorporated into the winding

- Insulation: class F
- Protection: IP X8

**11 POWER CABLE**

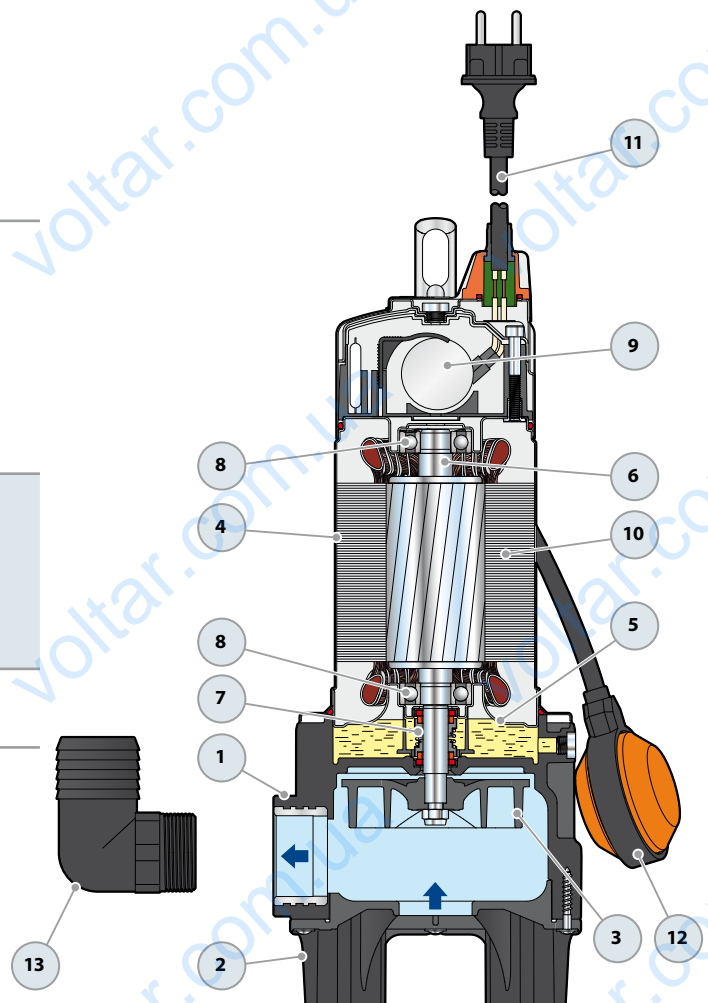
"H07 RN-F" type  
(with Schuko plug for single-phase versions only)

**Standard length 5 metres**

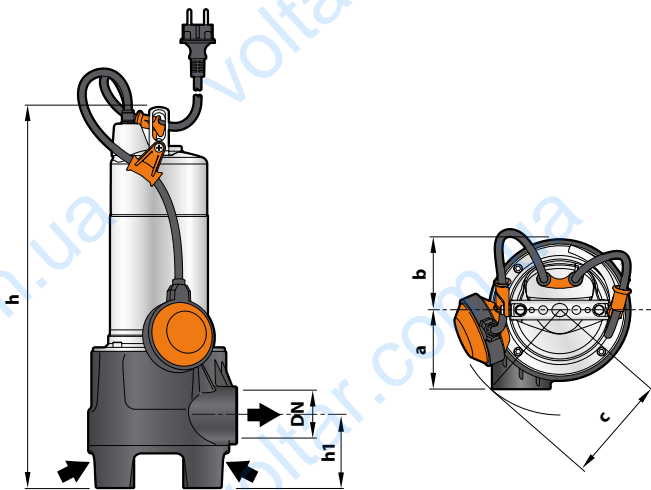
**12 FLOAT SWITCH**

**13 HOSE CONNECTION**

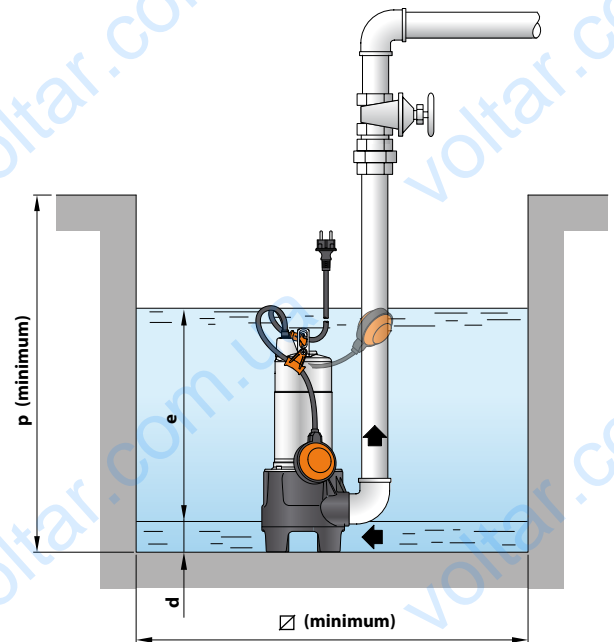
Ø 50 mm



## DIMENSIONS AND WEIGHT



### Standard installation



MODEL	PORT DN	Passage of solids	DIMENSIONS mm									kg 1~
			a	b	c	h	h1	d	e	p	∅	
ZXm 2/30	1½"	∅ 30 mm	90	81	118	412	73	50	variable	500	500	10.8
ZXm 2/40		∅ 40 mm				422	83					10.9

## ABSORPTION

MODEL	VOLTAGE	
	230 V	240 V
ZXm 2/30	4.0 A	3.9 A
ZXm 2/40	4.0 A	3.9 A

## PALLETIZATION

MODEL	GROUPAGE	CONTAINER
Single-phase	n. pumps	n. pumps
ZXm 2/30	54	72
ZXm 2/40	54	72