



AURATON LIBRA DS

AURATON 3021 DS

Weekly Wired Thermostat (two-sensor)

AURATON Libra DS is a wired electronic thermostat that allows for weekly temperature programming. The minimal number of buttons allows for efficient and quick operation. An important feature of Libra DS is the possibility of using two sensors to control and regulate the temperature. One controls the ambient temperature, the other prevents the floor from overheating and possibly becoming damaged. An important innovation of the thermostat is the possibility of setting it to cooling mode. The thermostat has a PWM working mode, which cyclically switches on and off the heating device and minimises temperature fluctuations. The PWM algorithm maintains thermal comfort in the room by anticipating the actions of the heating system and ensures lower energy consumption.

PWM working mode

Relay load capacity: 16A



3 independent temperatures (day, night, anti-freeze)



Mounting on surfaces or Ø60 mm boxes



10 temperature programmes (7 user-modifiable)



LCD display adapted to work in dimly lit rooms



Heating or cooling operation mode



Air temperature sensor + floor temperature sensor

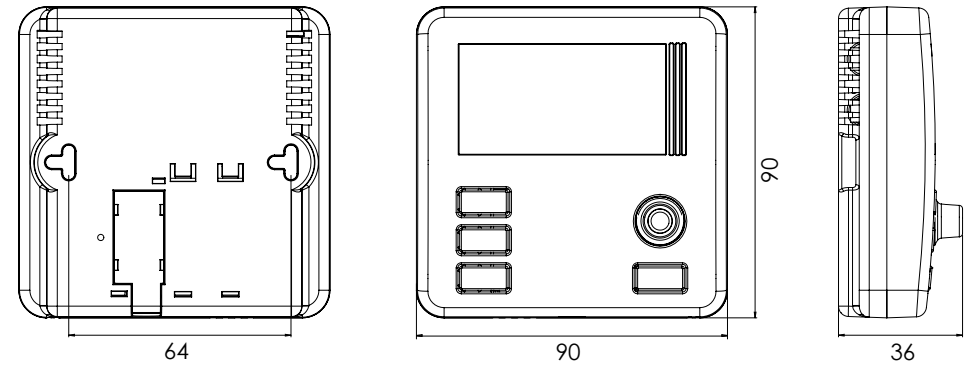


Function of relay setting

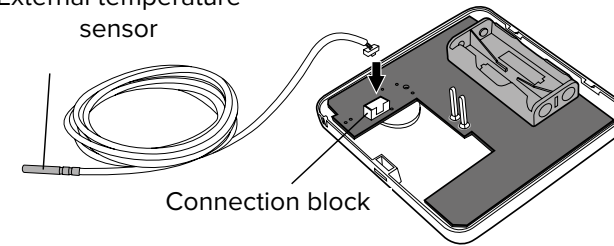
TECHNICAL DATA

Power supply	2xAAA (2x1.5V), alkaline
Operating temperature range	0° – 45°C
Working cycle	weekly programmable
Working status signalling	LCD display
Relay load capacity	max. 250V AC, max. 16A
Number of temperature levels	3
Anti-freeze temperature	7°C
Temperature control range with external sensor	10 – 55°C
Temperature control range	5 – 30°C
Hysteresis	±0.2°C / ±0.4°C/PWM
Ingress protection	IP 20
Humidity	≤85% non-condensing

DEVICE DIAGRAMS



External temperature sensor



Connection block

WIRING DIAGRAMS

