




AURATON VIRGO

AURATON 4D PRO

Underfloor Heating Control Strip

Control strip for underfloor heating actuators equipped with 4 heating zones. It is intended for montage in installation cabinets. AURATON Virgo works with wired thermostats. It allows the user to simultaneously control the operation of the central heating pump and the heating device.

 **2A** Relay load capacity



Easy installation – the connections are equipped with pull-out clamps. Before making any cable connections, they can be disconnected



The AURATON wired thermostat allows the user to monitor each heating zone



Heating device start delay function (approx. 3 min.)



4 heating zones (up to 3 AURATON actuators per zone)



Control of the central heating circulation pump and the central heating boiler (potential-free contacts)

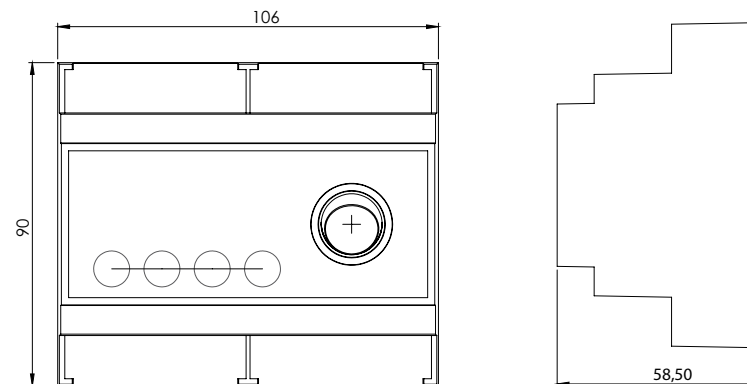


Mounting on a DIN rail

TECHNICAL DATA

Power supply	230V AC, 50Hz, 1.5W
Operating temperature range	0 – 40°C
Working status signalling	LEDs
Relay load capacity	max. 250V AC, max. 2 A (potential-free contacts COM, NO, NC)
Head control output capacity	max. 30 W, up to 3 AURATON Vela actuators per zone
Central heating pump output capacity	max. 200 W
Number of independently controlled heating zones	4
Relay and pump start delay	approx. 3 minutes
Ingress protection	IP20
Suggested mounting place	manifold box DIN rail

DEVICE DIAGRAMS



WIRING DIAGRAMS

