

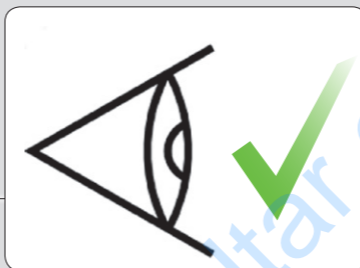
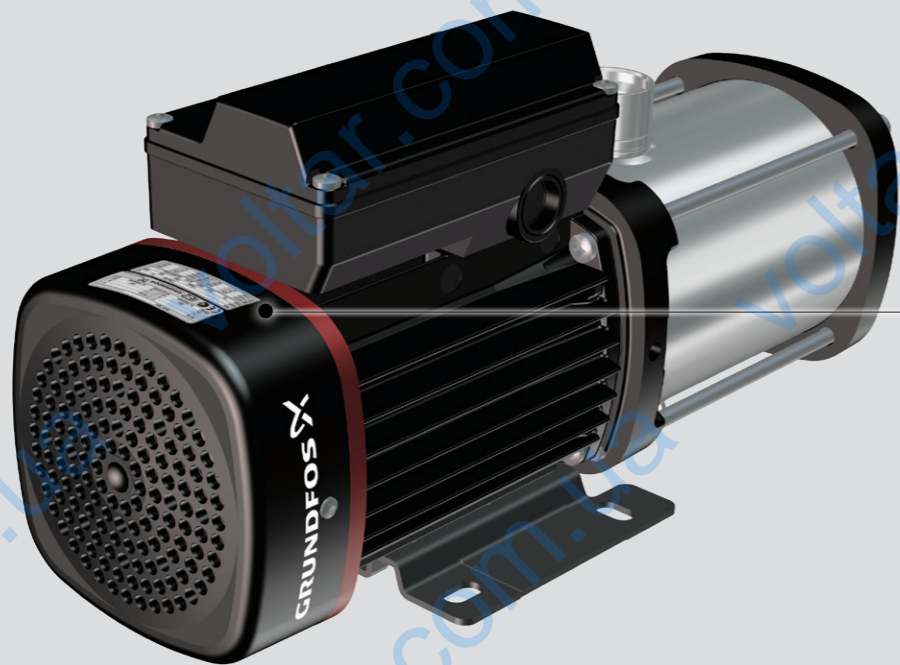
CM

be
think
innovate

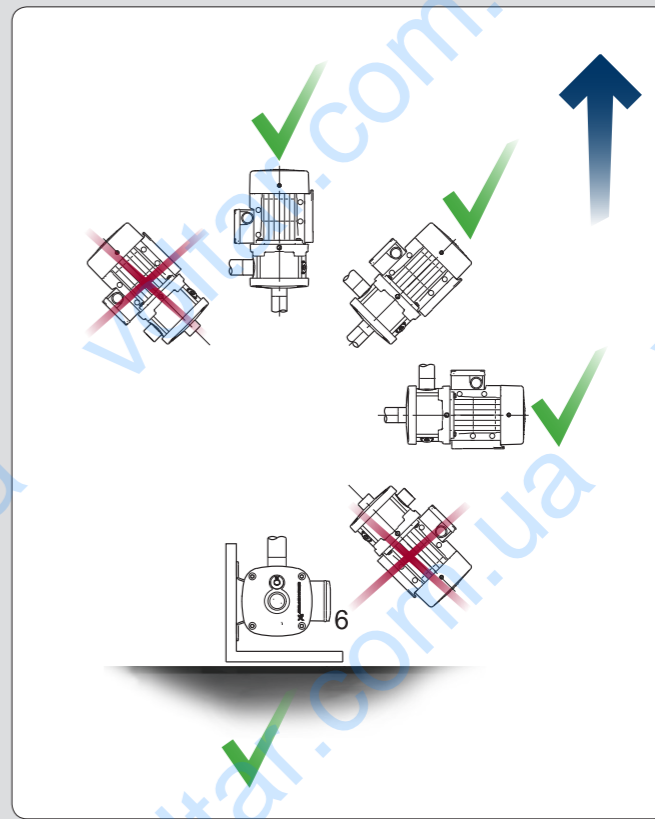
GRUNDFOS 



1

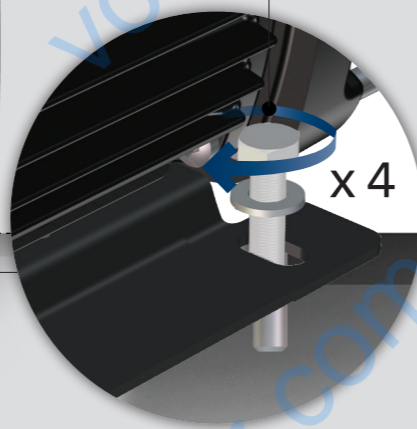
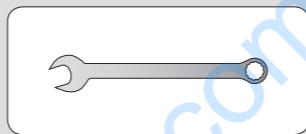
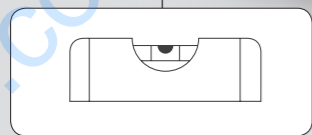
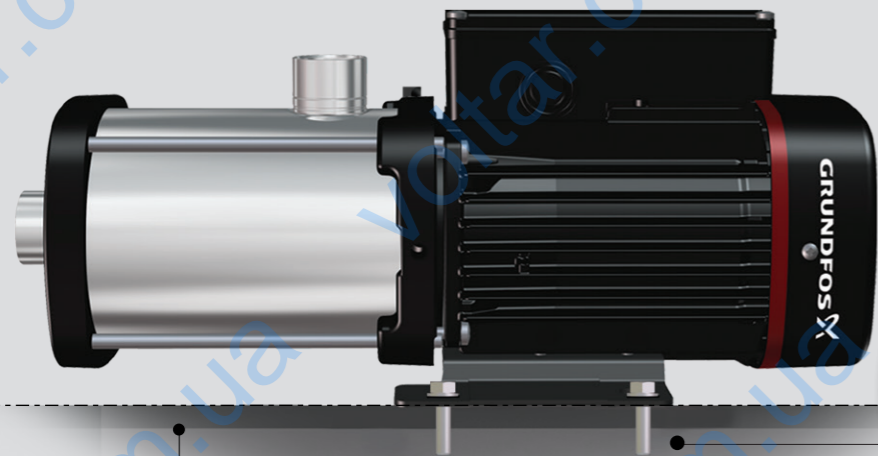


i

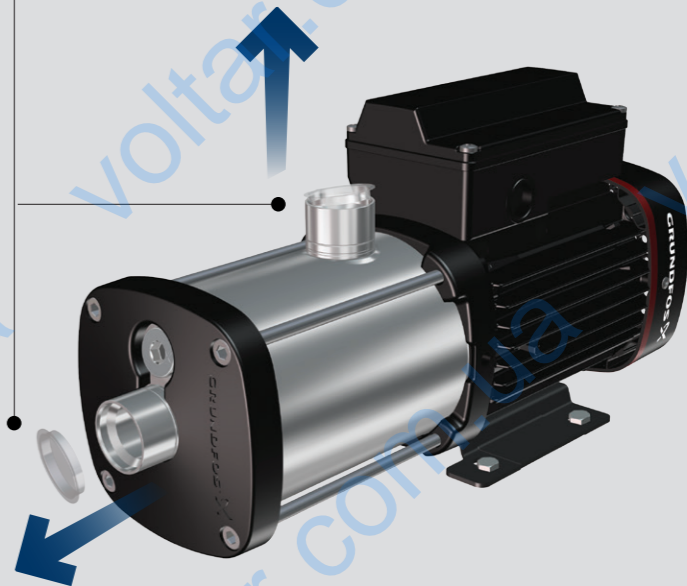
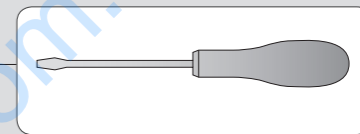
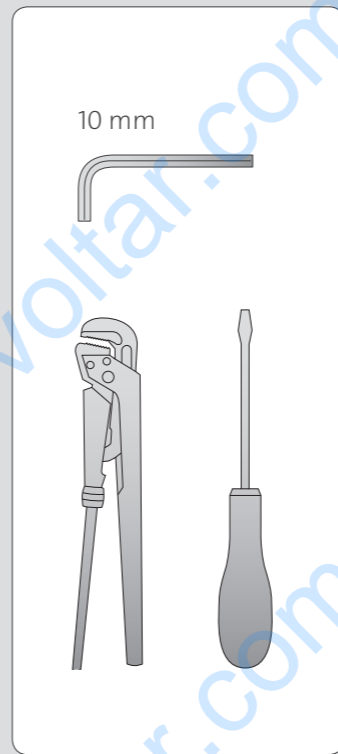


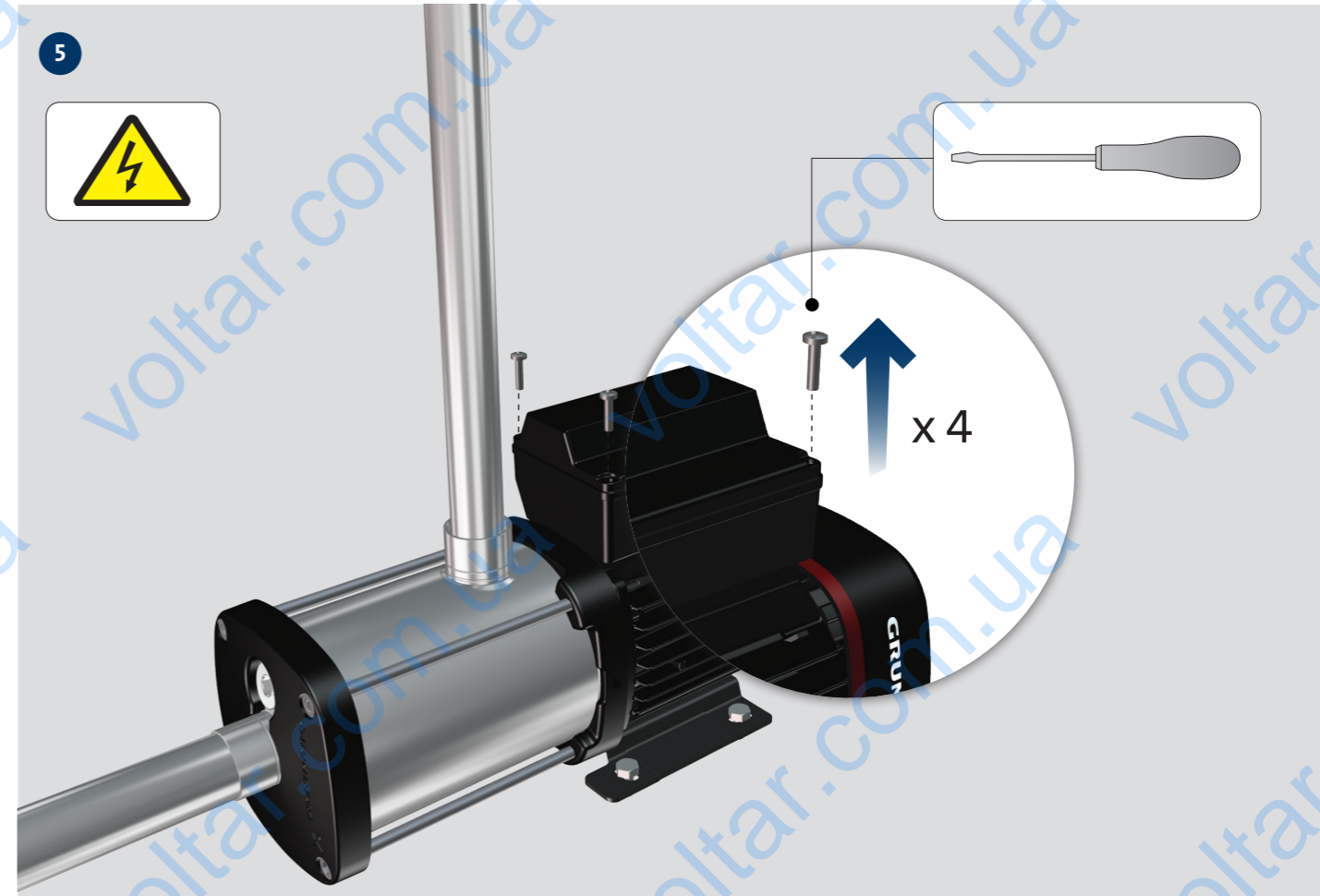
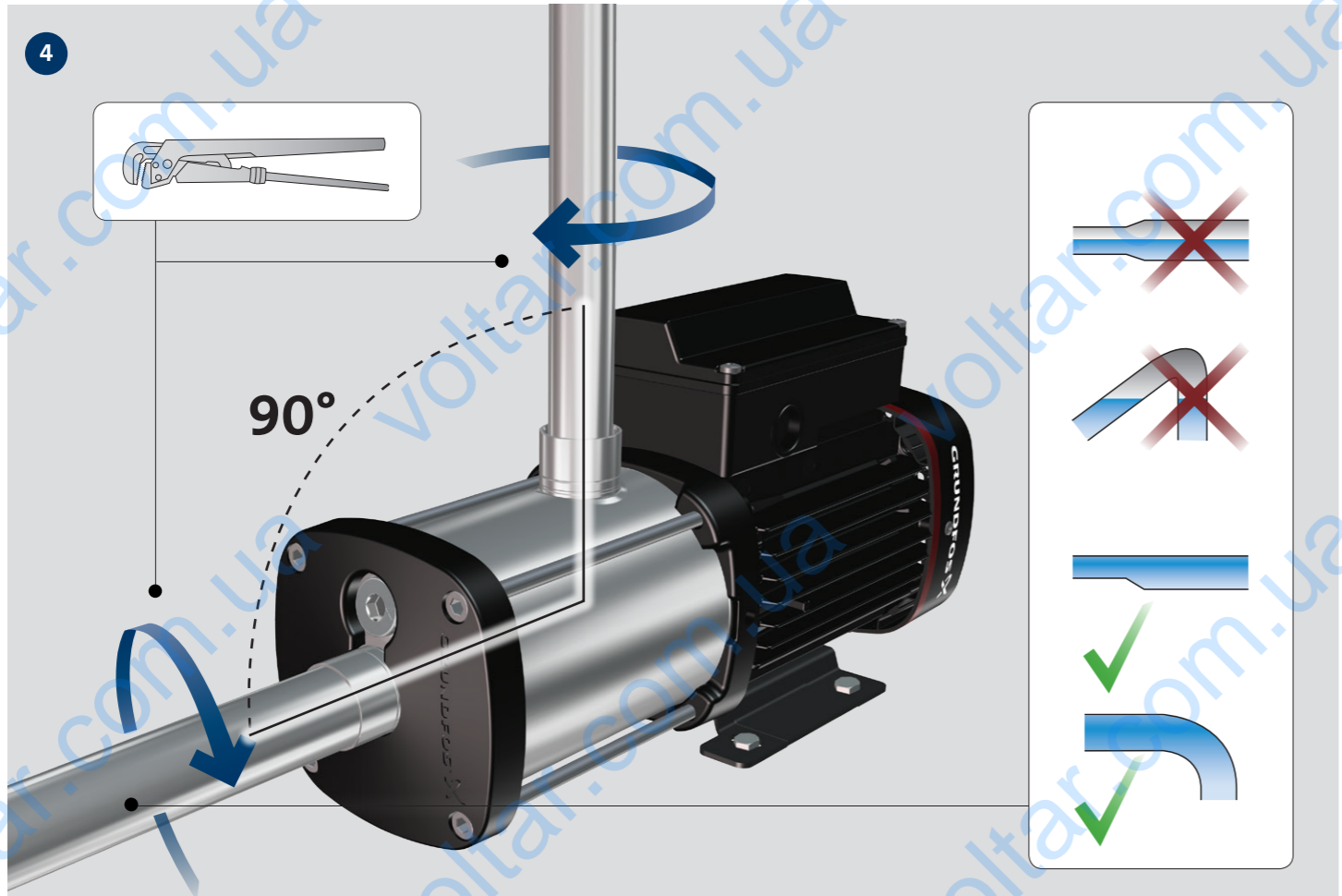
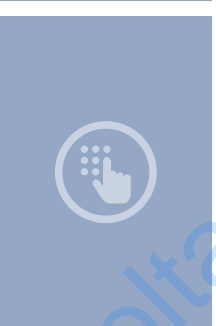
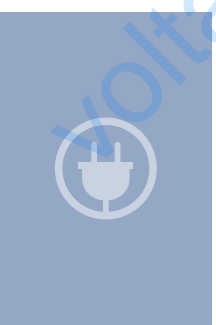


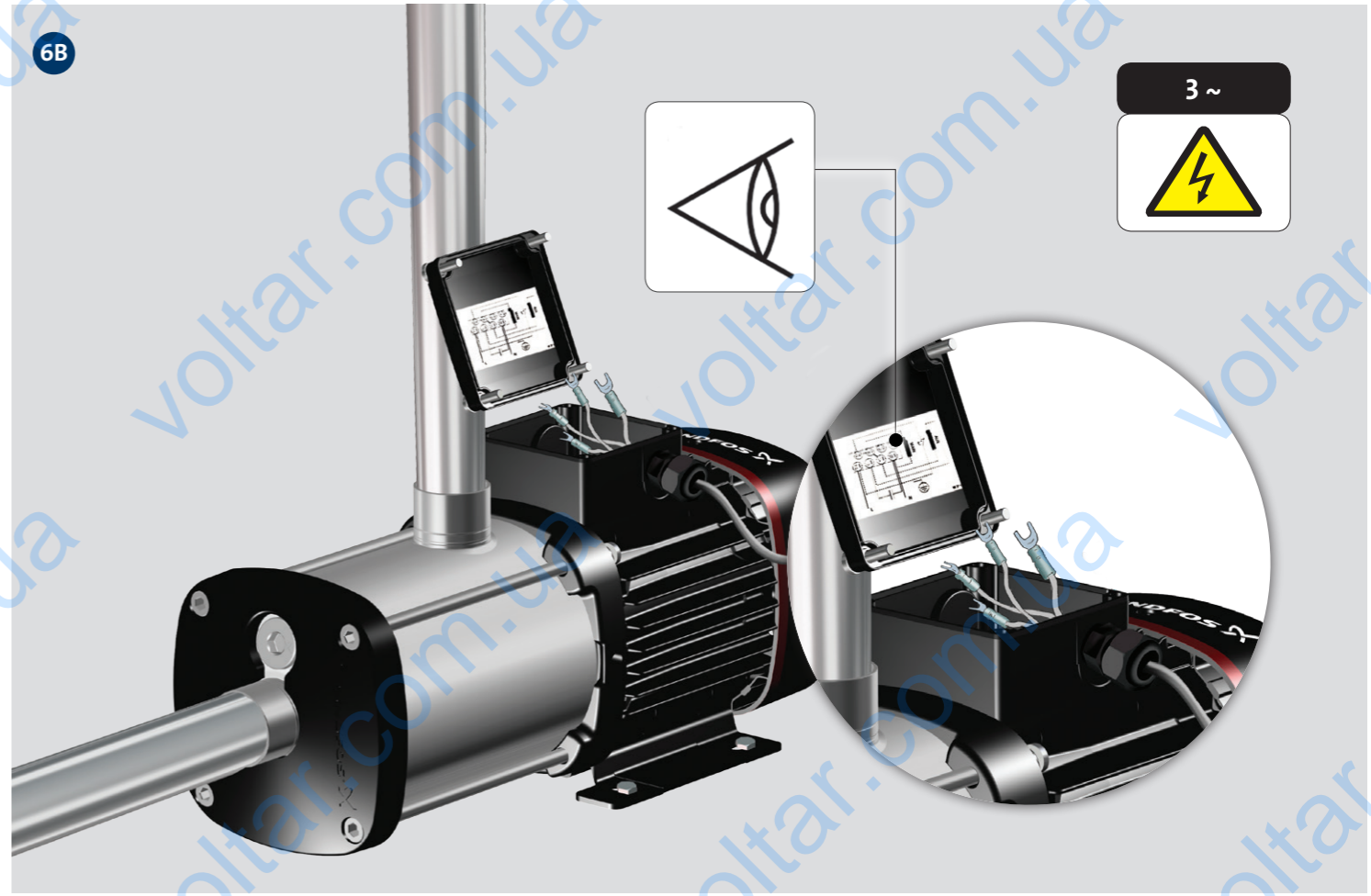
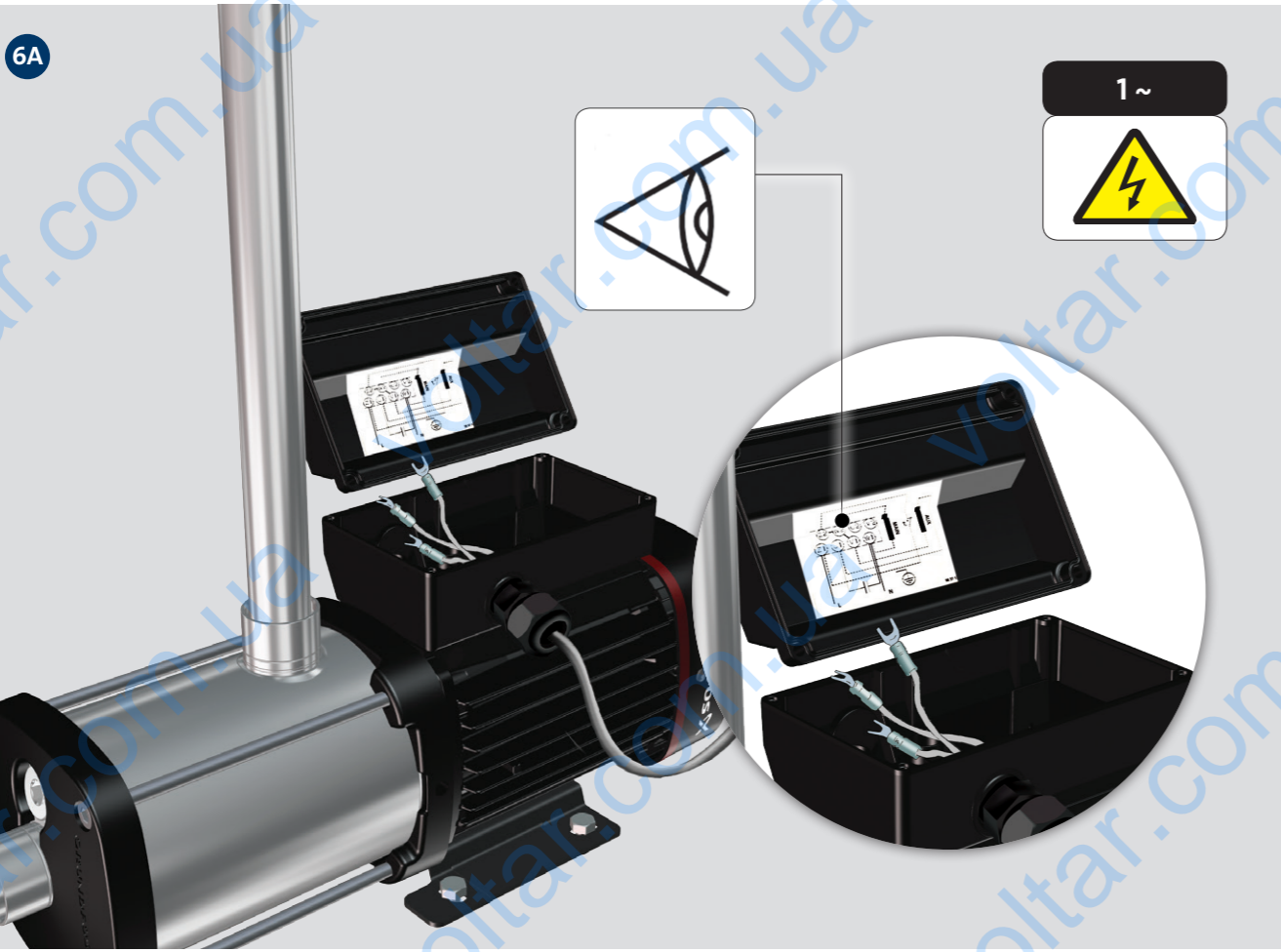
2

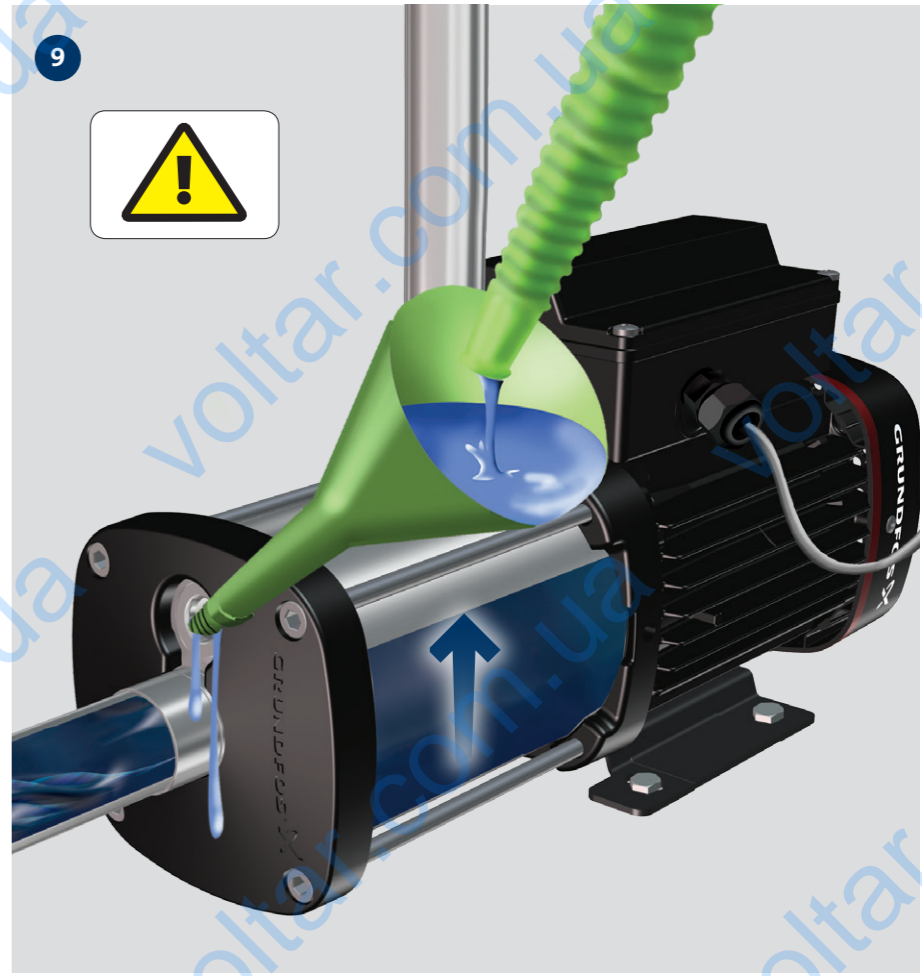
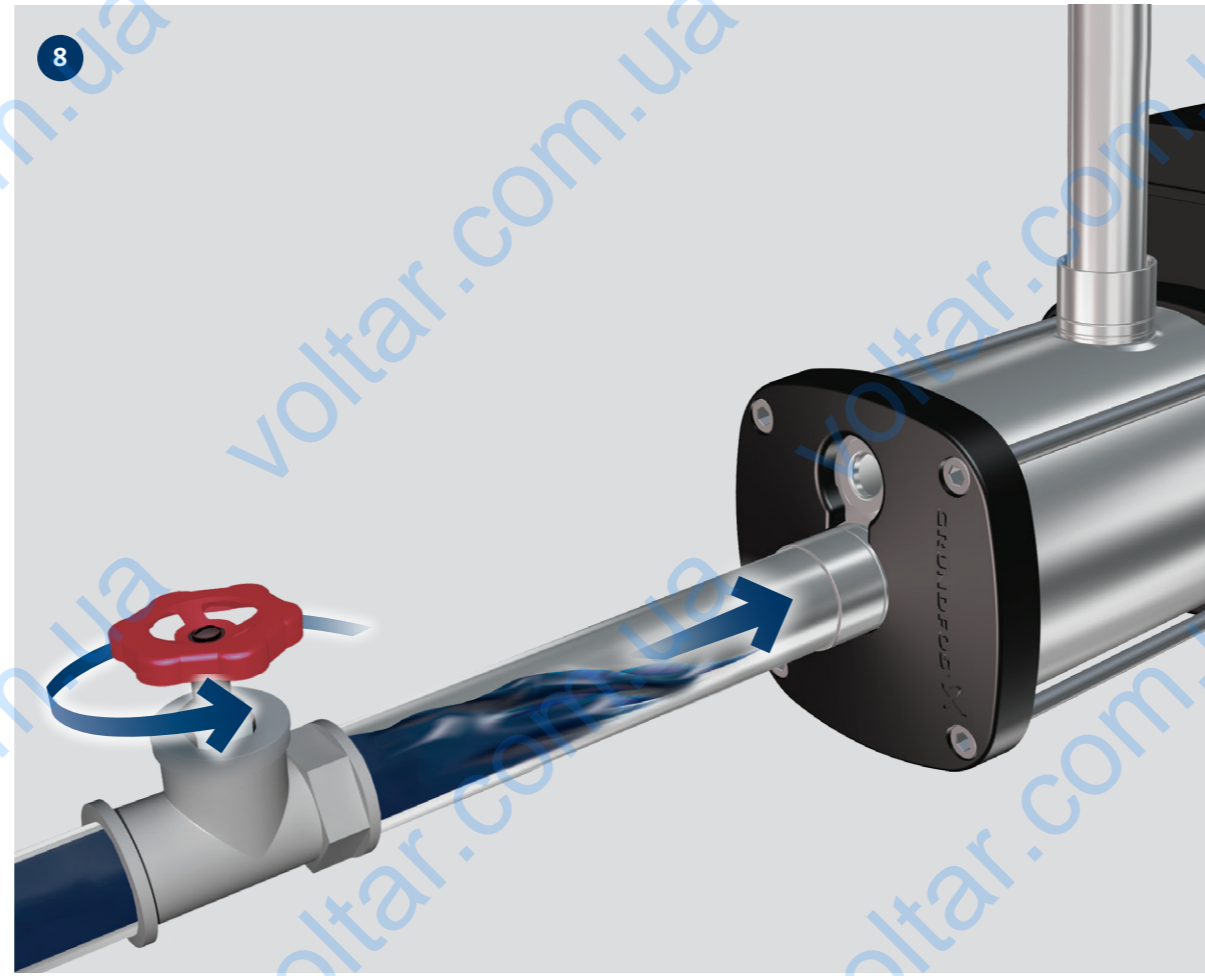
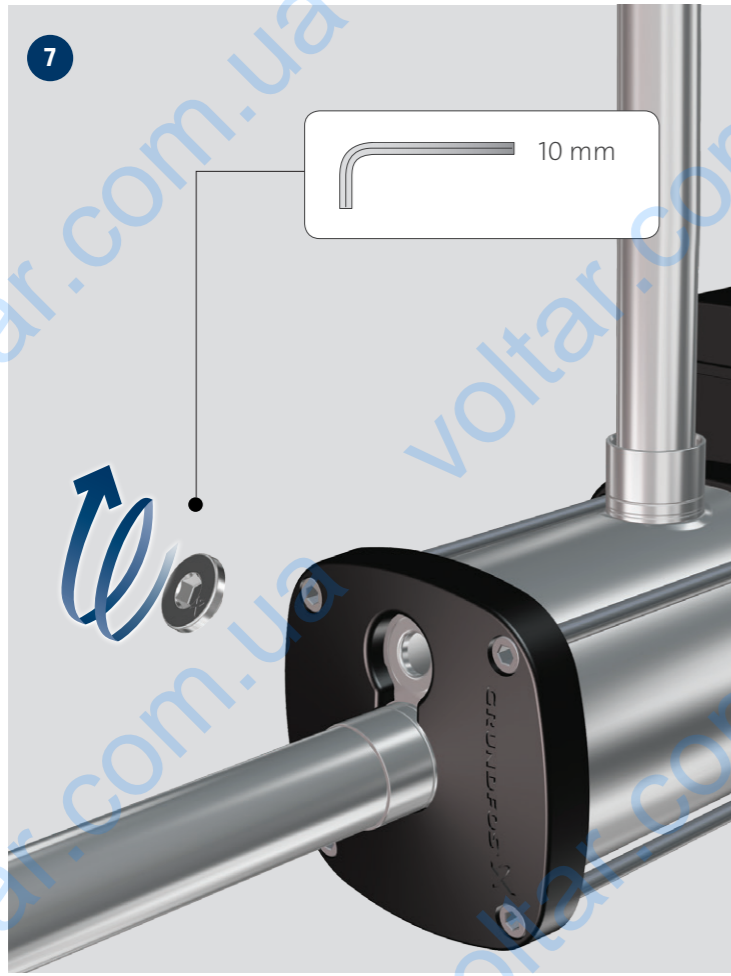
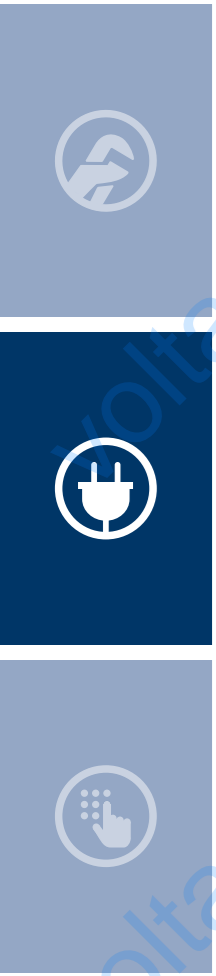


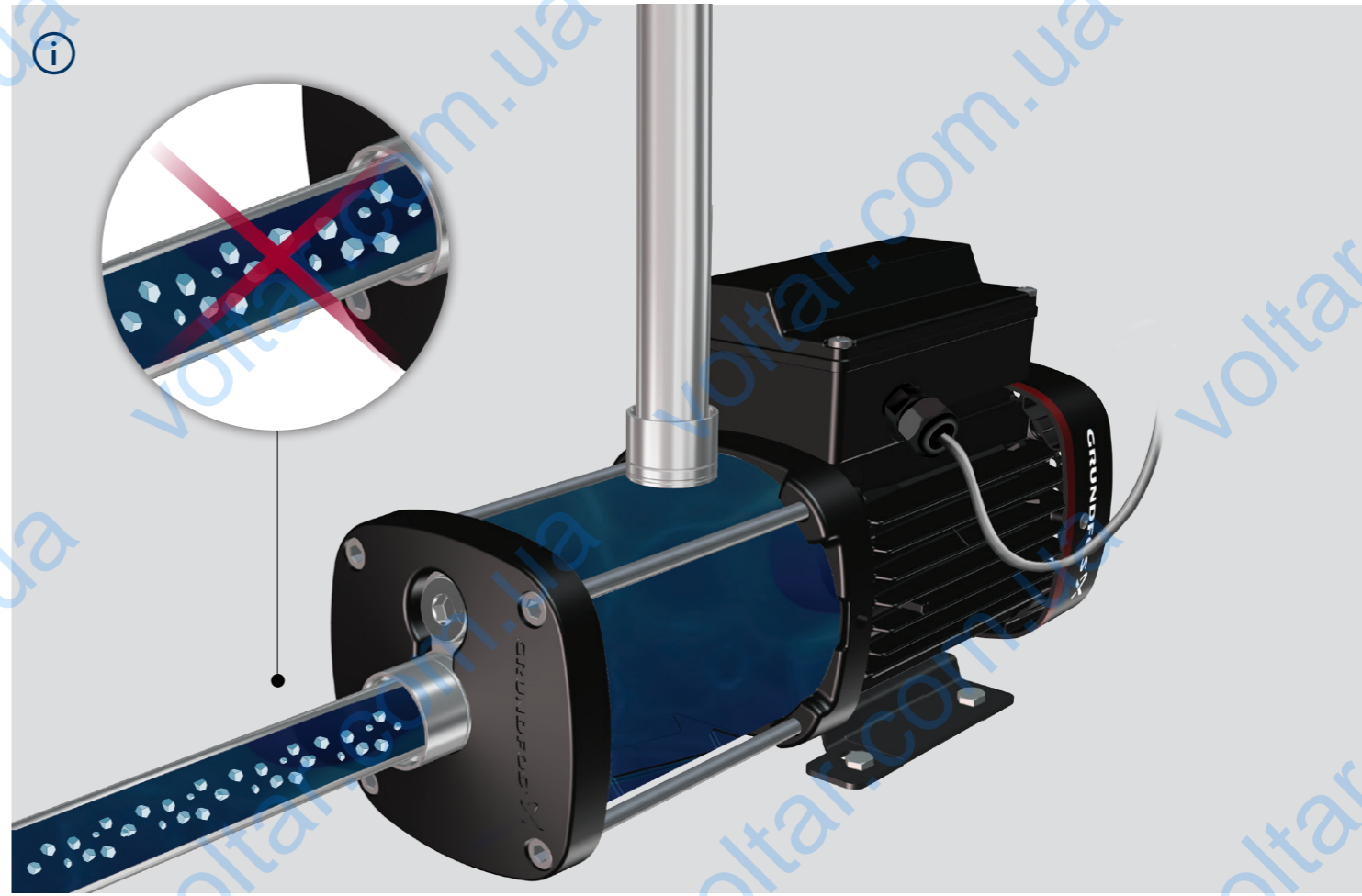
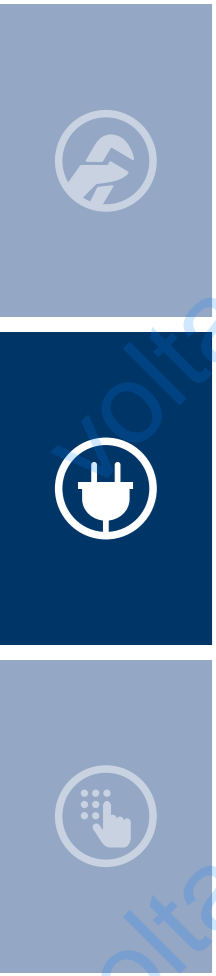
3

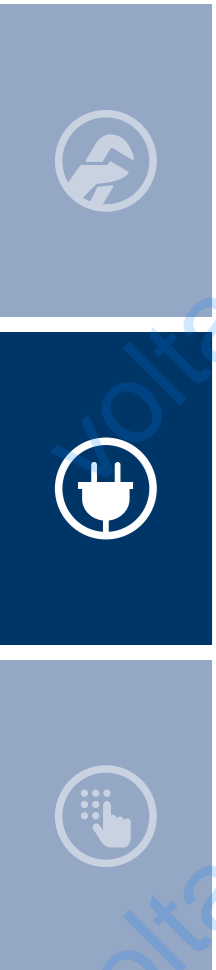




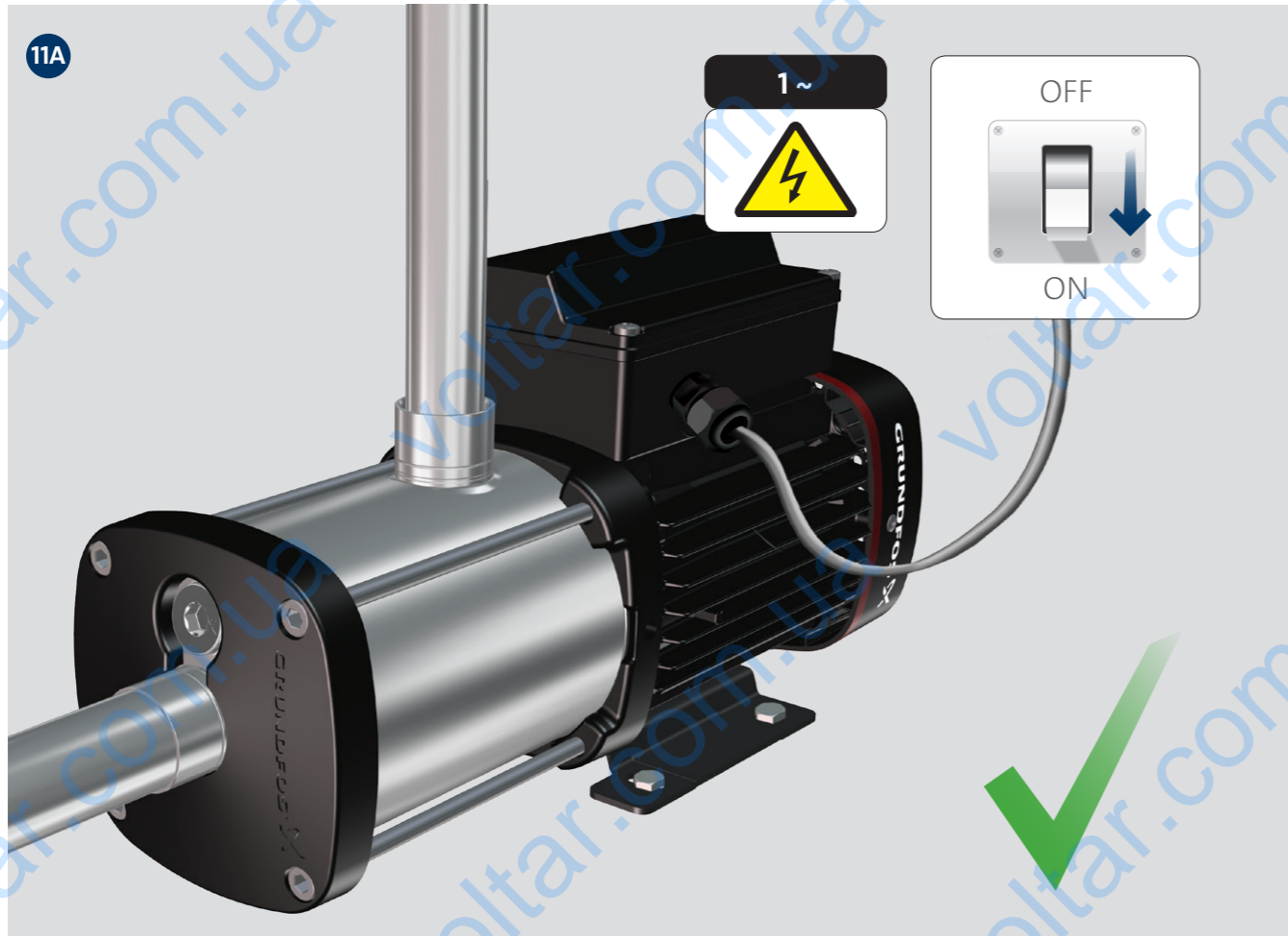




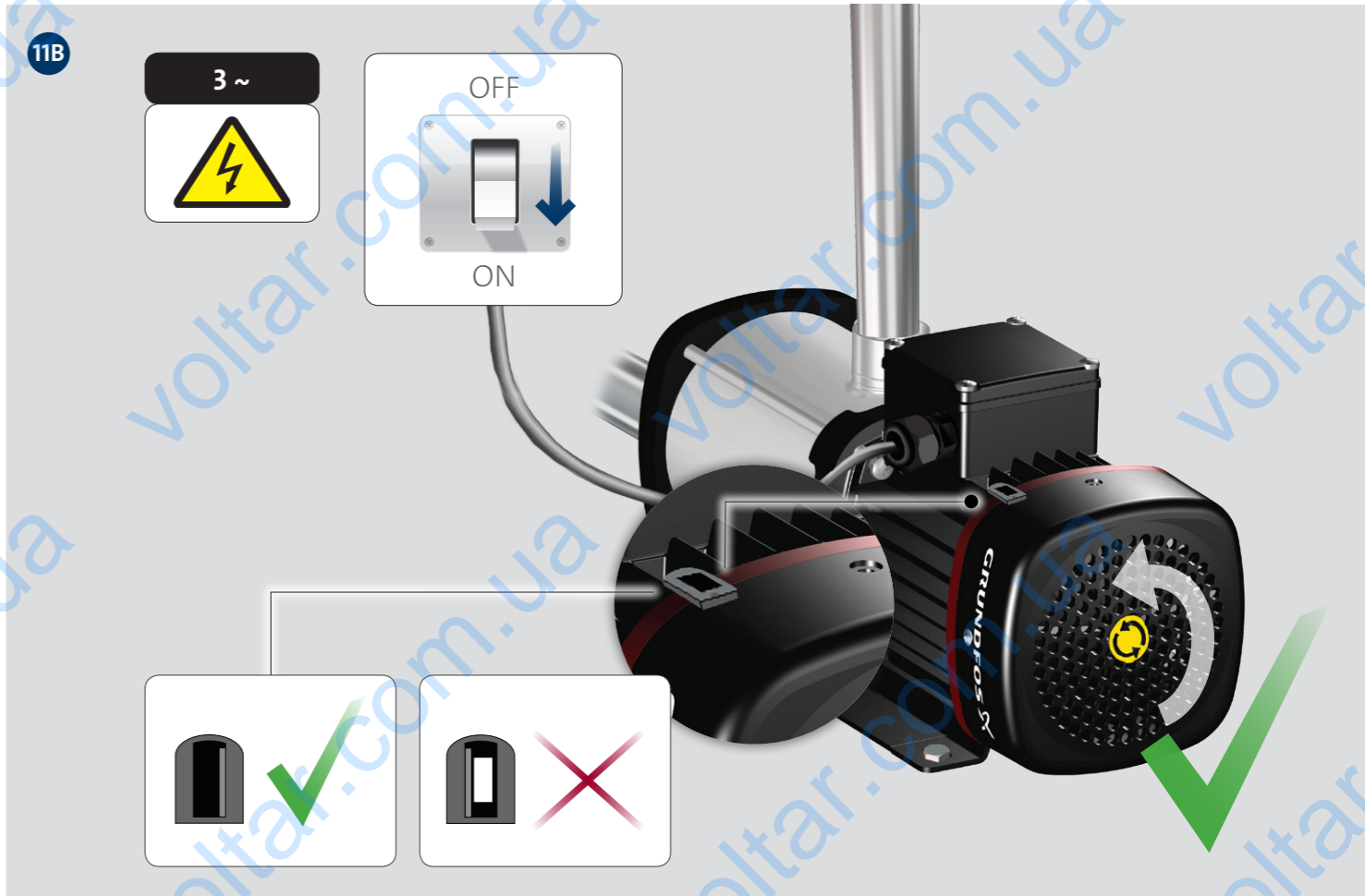


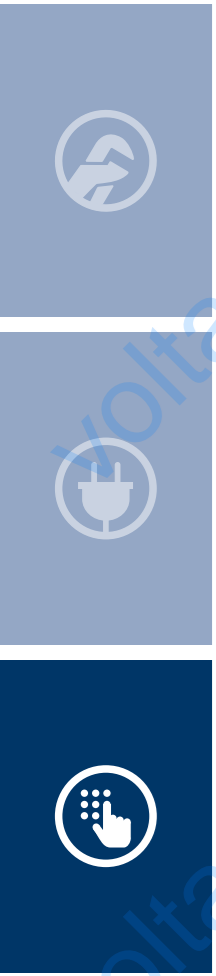


11A

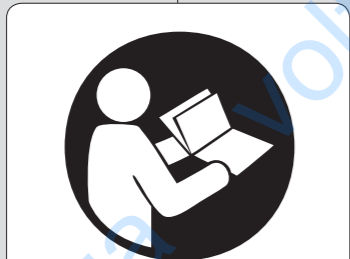


11B





i



grundfos.com/CM-manual





18

19

be think innovate

95121198 1013

ECM: 1122134

GRUNDFOS Holding A/S
Poul Due Jensens Vej 7
DK-8850 Bjerringbro
Tel: +45 87 50 14 00
www.grundfos.com

GRUNDFOS 

The name Grundfos, the Grundfos logo, and be think innovate are registered trademarks owned by Grundfos Holding A/S or Grundfos A/S, Denmark. All rights reserved worldwide.