



The technical specifications might not be congruent.

- NEFA...08/16 (S) series
- NENUTEC fast running damper actuators are especially designed and produced for applications in the HVAC systems.
- Our wide range of NENUTEC fast running damper actuators has been developed to operate and position air dampers of different sizes.

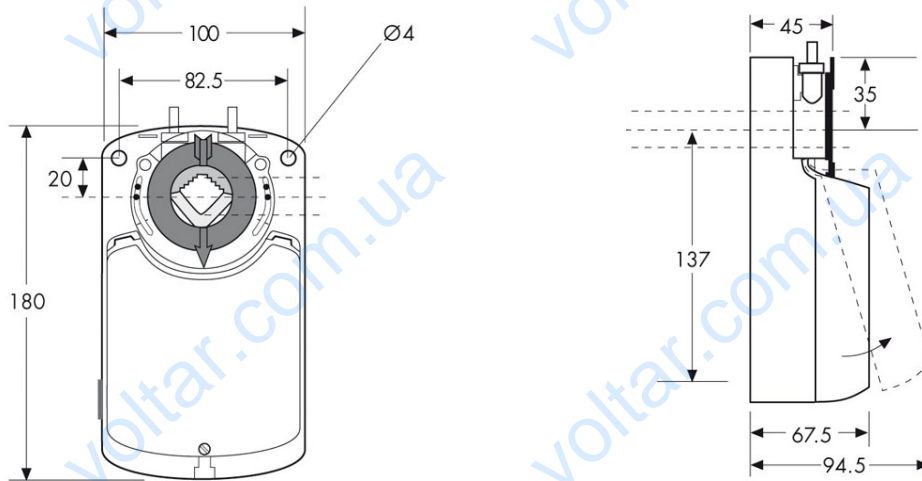
### Product Features

- Torque 8 Nm / 16 Nm
- Damper size 1.5 m<sup>2</sup> / 3.0 m<sup>2</sup>
- Power Supply AC/DC 24 V and AC 230 V
- Control 2 Point and 3 Point
- 2 adjustable auxiliary switches (SPDT)
- Shaft dimensions  
 Ø 10 to 20 mm round / 10 to 16 mm square
- Minimum shaft length 50 mm
- Selectable direction of rotation
- Adjustable angle of rotation
- Actuator with cable connection on request
- Customer version on request

### Model Selection Table

Torque	Running Time	Power Supply	Auxiliary Switches	Model / Type
8 Nm	8 sec	AC/DC 24 V ± 10%	No	NEFA24-08
8 Nm	8 sec	AC/DC 24 V ± 10%	2 x SPDT	NEFA24-08 S
8 Nm	8 sec	AC 230 V ± 10%	No	NEFA230-08
8 Nm	8 sec	AC 230 V ± 10%	2 x SPDT	NEFA230-08 S
16 Nm	16 sec	AC/DC 24 V ± 10%	No	NEFA24-16
16 Nm	16 sec	AC/DC 24 V ± 10%	2 x SPDT	NEFA24-16 S
16 Nm	16 sec	AC 230 V ± 10%	No	NEFA230-16
16 Nm	16 sec	AC 230 V ± 10%	2 x SPDT	NEFA230-16 S

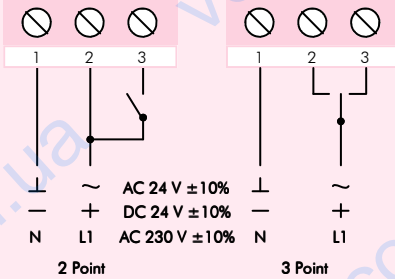
## Actuator Dimensions (mm)



## Technical Specifications

	NEFA24...(S)	NEFA230...(S)
Torque	8 Nm / 16 Nm	8 Nm / 16 Nm
Damper Size	1.5 m <sup>2</sup> / 3.0 m <sup>2</sup>	1.5 m <sup>2</sup> / 3.0 m <sup>2</sup>
Shaft dimensions	Ø 10 to 20 mm round / 10 to 16 mm square	Ø 10 to 20 mm round / 10 to 16 mm square
Power Supply	AC/DC 24 V ± 10%	AC 230 V ± 10%
Frequency	50 - 60 Hz	50 - 60 Hz
Control Signal	2 point and 3 point	2 point and 3 point
Power Consumption		
- Operating	7.5 W	11.2 W
- End Position	0.5 W	2.5 W
For Wire Sizing	13.0 VA	13.0 VA
Auxiliary Switch Rating	3 (1.5) A, AC 230 V	3 (1.5) A, AC 230 V
Protection Class	III	II
Angle of Rotation	0°...90° (93° mechanical)	0°...90° (93° mechanical)
Angle of Limiting	0°...90° in 5° steps	0°...90° in 5° steps
Weight	< 1.2 Kg	< 1.3 Kg
Life Cycle	60'000 rotation	60'000 rotation
Sound Level	50 dB (A)	50 dB (A)
IP Protection	IP 54 (dust protected & protected against splash water)	IP 54 (dust protected & protected against splash water)
Operating Temperature	-20°...+50° C / IEC 721-3-3	-20°...+50° C / IEC 721-3-3
Non-Operating Temperature	-30°...+60° C / IEC 721-3-2	-30°...+60° C / IEC 721-3-2
Ambient Humidity	5%...95% rH non condensing / EN 60730-1	5%...95% rH non condensing / EN 60730-1
Maintenance	Maintenance free	Maintenance free
Mode of Operation	Type I / EN 60730-1	Type I / EN 60730-1
EMC	CE according to 89 / 336 / EEC	CE according to 89 / 336 / EEC
UL Listed (USA)	acc. to UL SDFY2.SA32871	
UL Listed (CAN)	CSA SDFY8.SA32871	

### Wiring Diagram NEFA24/230...(S) Power Supply AC/DC 24 V - AC 230 V

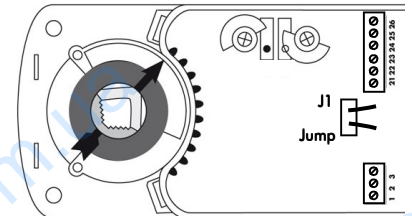
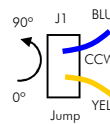
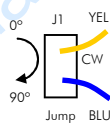


⚠ Connect via safety isolating transformer

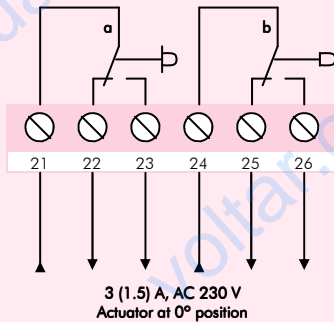
### Changing Direction of Rotation NEFA24/230...(S)

Factory-set CW!

The direction of rotation can be changed by reversing the plug J1/Jump.



### Wiring Diagram NEFA24/230...(S) Auxiliary Switches

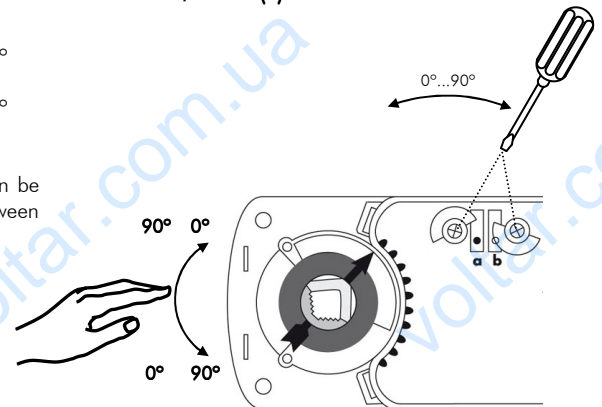


### Adjustment of Auxiliary Switches NEFA24/230...(S)

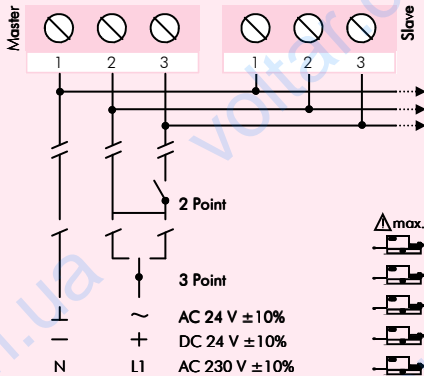
Switch **a** factory-set at 10°

Switch **b** factory-set at 80°

The auxiliary switches can be optimally adjusted between 0°...90°.



### Wiring Diagram NEFA24/230...(S) Parallel Connection

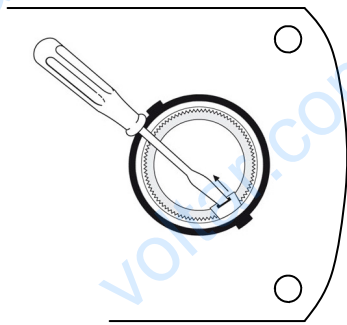


### Remark

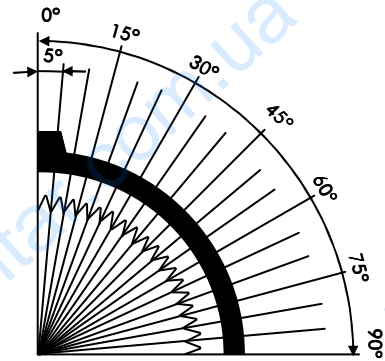
Parallel connection of several NEFA...(S) actuators is possible. The power consumption must be observed.

For more details of installation and commissioning, please observe our mounting instruction manual M-NEFA08\_16.

Releasing the Adapter NEFA24/230...(S)



Limiting Angle of Rotation NEFA24/230...(S)



## OEM Customised Version on Request

NENUTEC offers you actuators in customised versions, e.g. with your own brand name, with colour-coordinated applications and with your particular demand. For further information please contact us or our local representative.

## Important Remark

Consult NENUTEC representatives for specific requirements and material selections for your intended application.



This actuator includes electrical and electronic components and may not be disposed as household garbage. Please consider the local valid legislation.

AC / DC 24 V: Connect via safety isolating transformer.  
AC 230 V: To isolate from the main power supply, the system must incorporate a device which disconnects the phase conductor (with at least a 3 mm contact gap).

