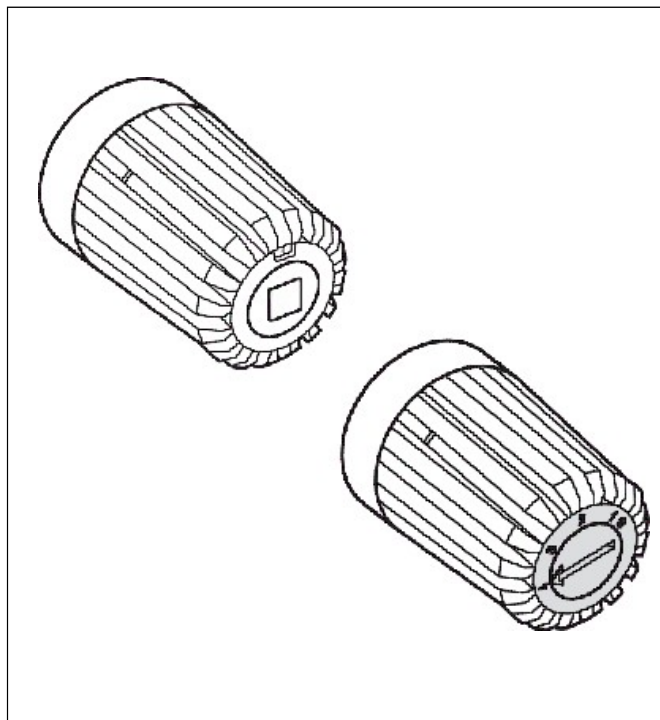




Thera-Van

Thermostat with theft protection

Product data



Design

The radiator thermostat consists of:

- Housing
- Sensor with support cage
- Wax-filled sensing element

Materials

- Housing and spindle assembly made of shock resistant, high quality plastic, white to RAL9016
- Sensor filled with wax
- Connection nut made of nickel-plated brass

Application

Thermostats of this type have theft-resistant, heavy duty design and were specially designed for use in public buildings such as offices, schools, barracks or hospitals.

A Radiator Thermostat is installed onto a Thermostatic Radiator Valve Body (TRV body). The combination of both, the Thermostatic Radiator Valve (TRV), controls the room temperature by adjusting the flow of hot water through a radiator.

TRVs are installed in water-based heating systems on the supply or, less commonly on the return connection of radiators.

Honeywell Home radiator thermostats with Honeywell Home (HW) M30 x 1.5 connection are suitable for all TRV body and radiator inserts with M30 x 1.5 connection and 11.5 mm closing dimension.

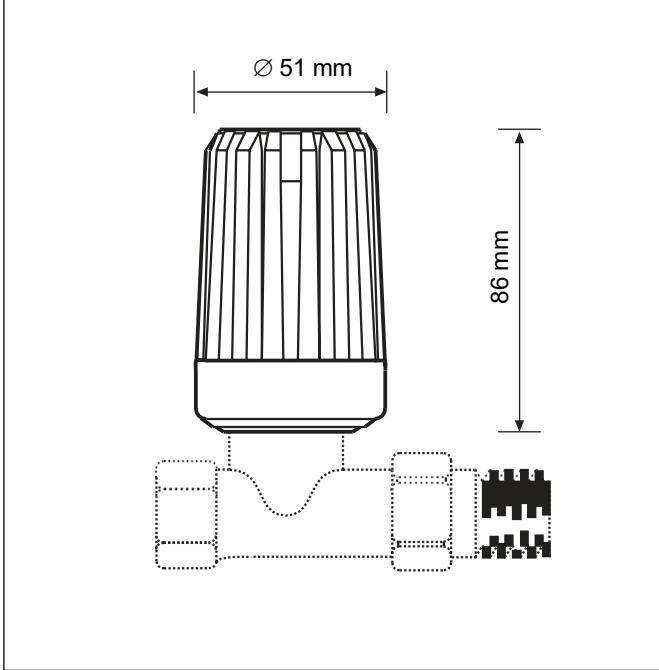
Features

- Thermostat resists extreme loads
- Thermostat can only be removed with special tool
- Setting with setpoint numerics
- Adjustment of the fixed setpoint with a setting key (T100V-101 and T100VM-101 only)
- Lock disk against unauthorized adjustment (T100V-101 and T100VM-101 only)
- Reliable wax-filled sensing element

Specifications

Thermostat connection	M30 x 1,5
Setpoint range	* - 1..6 T100V-101 and T100VM-101 * - 1..4 T100V-241 and T100VM-241 preset to "4" (20°C / 68°F)
Temperature range	6...26°C T100V-101 and T100VM-101 43...79°F 6...20°C T100V-241 and T100VM-241 43...68°F
Hysteresis	1.0 K
Influence of differential pressure	0.72 K
Influence of heating medium	0.9 K
Response time	24 min
Bending force	>1000 N
Closing dimension	11.5 mm

Dimensions



Setpoint

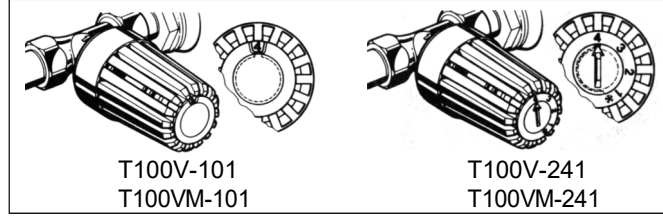


Table 1. Thermostats T100V-101 and T100VM-101

Setpoint	*	1	2	3	4	5	6
°C	6	8	12	16	20	23	26
°F	43	46	54	61	68	73	79

Table 2. Thermostats T100V-241 and T100VM-241

Setpoint	*	1	2	3	4
°C	6	8	12	16	20
°F	43	46	54	61	68

NOTE: All °C and °F-values approximate. Heating can freeze when radiator thermostats with zero-position are set at position '0'. Zero-position is also thermostatically controlled - when temperature falls the TRV may open.

NOTE: All °C- and °F-values specified at ideal incident flow. This can differ from stated values depending on installation position and air flow.

Ordering Information

Table 3. Available versions and OS-Nos (OS=Ordering Specification)

Series	Type	Connection	for valve series	OS-No.
Thera-Van				
101	Temperature range fixed with lock disk (6...26°C / 43...79°F)	M30 x 1.5	V2000 V100	T100VM-101 T100V-101
241	Temperature range variable (6...20°C / 43...68°F)	M30 x 1.5	V2000 V100	T100VM-241 T100V-241

Accessories

Special tool to remove thermostat



WT100V

Screw lock



5 pieces, for T100V-101 and T100V-241

AS100V

5 pieces, for T100VM-101 and T100VM-241

AS100VM

Lock disk



5 pieces, for T100V-101 and T100VM-101

FS100V

Please Note:

- To avoid stone deposit and corrosion the composition of the medium should conform with VDI-Guideline 2035
- Additives have to be suitable for EPDM sealings
- System has to be flushed thoroughly before initial operation with all valves fully open
- Any complaints or costs resulting from non-compliance with above rules will not be accepted by Honeywell Home
- Please contact us if you should have any special requirements or needs

For more information

homecomfort.resideo.com/europe