



T6000 Series

Thera-3

Radiator Thermostats with ergonomical Design

APPLICATION

A Radiator Thermostat is installed onto a Thermostatic Radiator Valve Body (TRV body). The combination of both, the Thermostatic Radiator Valve (TRV), controls the room temperature by adjusting the flow of hot water through a radiator.

TRVs are installed in water-based heating systems on the supply or, less commonly on the return connection of radiators.

Radiator thermostats of this type with liquid sensor fulfill the European Standard EN 215 when used with certified Honeywell Home TRV bodies.

Honeywell Home radiator thermostats with Honeywell Home (HW) M30 x 1.5 connection are suitable for all TRV body and radiator inserts with M30 x 1.5 connection and 11.5 mm closing dimension.

Radiator Thermostats of this type with snapping (DA) type connection are suitable for TRV bodies and valve inserts with Danfoss (RA) type compatible snap connection.

FEATURES

- „A“-class energy efficiency certified according TELL labeling scheme
- Conforms with M30 x 1.5 connection to European standard EN 215
- Available with liquid- or wax sensor



011

SPECIFICATIONS

Thermostat connection:	
HW type:	M30 x 1.5
DA type:	Snap connection
Setpoint range with zero position:	0 - ❄ - 1 - 5
Setpoint range without zero position:	❄ - 1 - 5 ❄ - 1 - 3
Temperature with zero position:	1 - 28 °C (34 - 82 °F)
Temperature without zero position:	6 - 28 °C (43 - 82 °F)
Closing dimension:	
HW type:	11.5 mm

Note: Zero-position is also thermostatically controlled - when temperature falls the TRV may open.

DESIGN

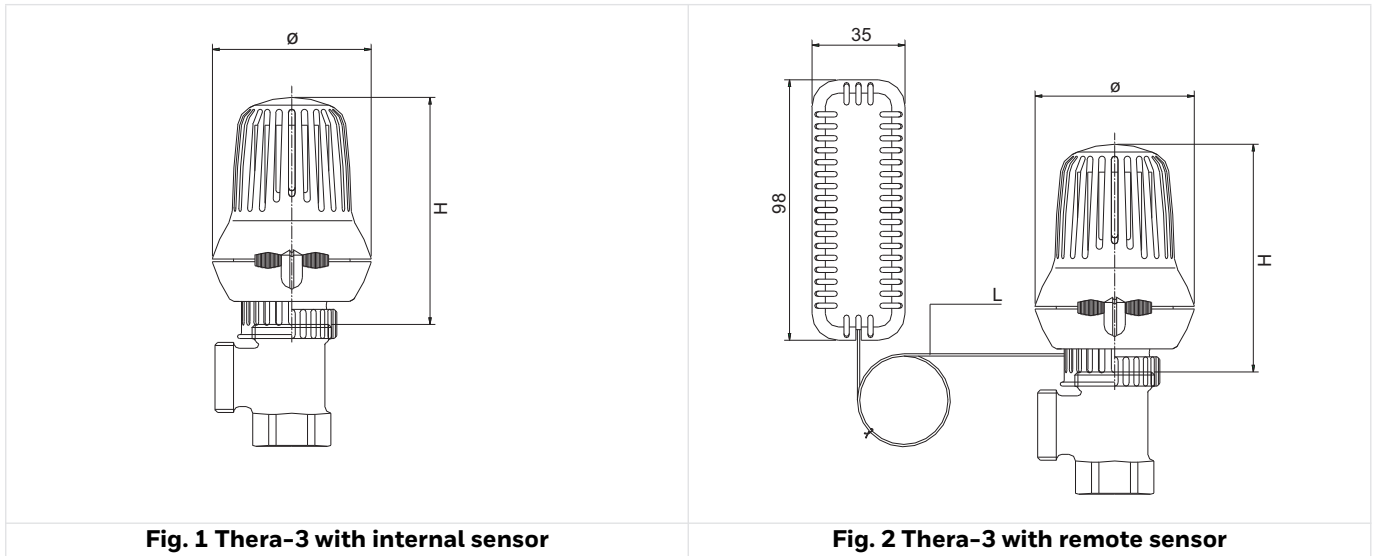
The radiator thermostat consists of:

- Handwheel with lid and socket
- Honeywell Home HW M30 x 1.5 connection and 11.5 mm closing dimension or Danfoss snapping RA type connection
- Internal or remote sensor
- Sensor with support cage
- Liquid- or wax sensor
- Spindle assembly
- Connection nut

MATERIALS

- Handwheel socket and lid made of plastic, white to RAL9016
- Socket, support cage and spindle assembly made of plastic
- Sensor filled with liquid or wax
- Connection nut made of nickel-plated brass

DIMENSIONS



Type	H closed	H open	Ø	L
Thera-3	87	93	60	2.0m

Note: All dimensions in mm unless stated otherwise.

Tab. 1 Available versions and OS-Nos (OS=Ordering Specification)

Type	EN 215 certification	Zero position ('0')	Connections	Capillary tube length	Cap	OS-No.
Thera -3, Thera - 3 - DA with internal sensor						
Liquid sensor	•	-	M30 x 1.5	-	Honeywell Home	T6001
	•	•				T6001W0
	-	-	DA type			T6001DA
	-	•				T6001DAW0
Liquid sensor without cap	•	-	M30 x 1.5	-	none	T6001C
	•	•				T6001W0C
	-	-	DA type			T6001DAC
	-	•				T6001DAW0C
Thera - 3 and Thera - 3 - DA with remote sensor						
Liquid sensor	•	-	M30 x 1.5	2.0 m	Honeywell Home	T600120
	•	•				T600120W0
	-	-	DA type			T600120DA

FUNCTION

Radiator thermostats of this type control the TRV body. The air passing around the sensor of the radiator thermostat causes the sensor to expand when the temperature rises. The expanding sensor closes the TRV accordingly. When the room temperature changes the TRV opens or closes proportionally. Only the amount of water required to maintain the room temperature set on the radiator thermostat is allowed to flow through the valve.

EN 215 INFORMATION

All radiator thermostats of this type with M30x1.5 connection in connection with certified Honeywell Home TRV bodies conform to the European Standard EN 215.

Tab. 2 Comparison of radiator thermostats of this type specs and EN 215 requirements

Parameter	Thera-3	Thera-3 with remote sensor	EN 215 Requirements
Min. set point temperature	6 °C (43 °F)	6 °C (43 °F)	5 - 12 °C (41 - 54 °F)
Max. set point temperature	28 °C (82 °F)	28 °C (82 °F)	≤ 32 °C (90 °F)
Hysteresis	0.26 K	0.6 K	1.0 K
Influence of differential pressure	0.22 K	0.24 K	≤ 1.0 K
Influence of heating medium	0.18 K	0.2 K	≤ 1.5 K
Response time	22 min	8 min	≤ 40 min
Control accuracy	0.2 K	0.2 K	≤ 1.2 K

Note: All °C- and °F - values specified at ideal incident flow. This can differ from stated values depending on installation position and air flow.

Note: Influence of differential pressure depends on TRV body used.

SET POINT

Tab. 3 Radiator thermostats with zero-position ('0')

Set point	0	❄	1	2	3	4	5
°C	1	6	12	16	20	24	28
°F	34	43	54	61	68	75	82

Tab. 4 Radiator thermostats without zero-position ('0')

Set point		❄	1	2	3	4	5
°C	-	6	14	16	20	24	28
°F	-	43	54	61	68	75	82

All °C and °F-values approximate. Heating can freeze when radiator thermostats with zero-position are set at position '0'. Zero-position is also thermostatically controlled - when temperature falls the TRV may open.

PLEASE NOTE:

- To avoid stone deposit and corrosion the composition of the medium should conform with VDI-Guideline 2035
- Additives have to be suitable for EPDM sealings
- System has to be flushed thoroughly before initial operation with all valves fully open
- Any complaints or costs resulting from non-compliance with above rules will not be accepted by Honeywell Home
- Please contact us if you should have any special requirements or needs

INSTALLATION EXAMPLE

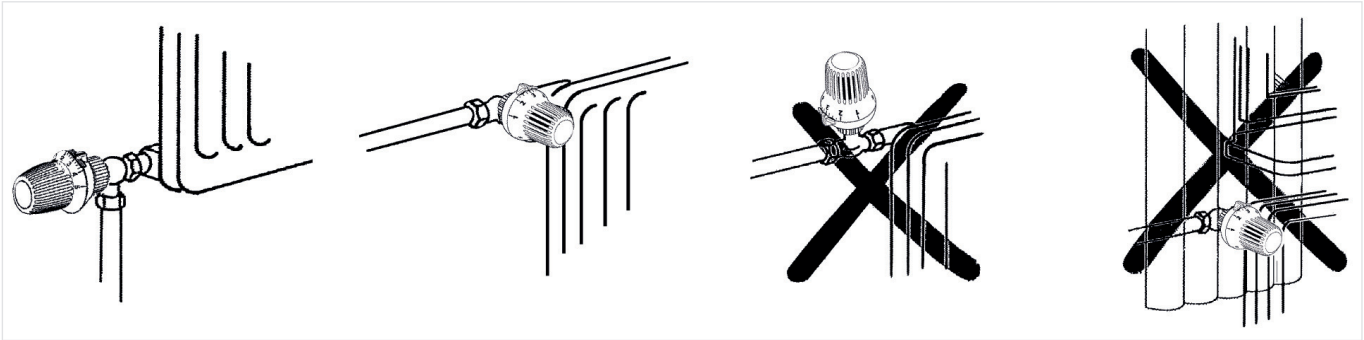


Fig. 1 Correct and false installation positions for radiator thermostats with internal sensor

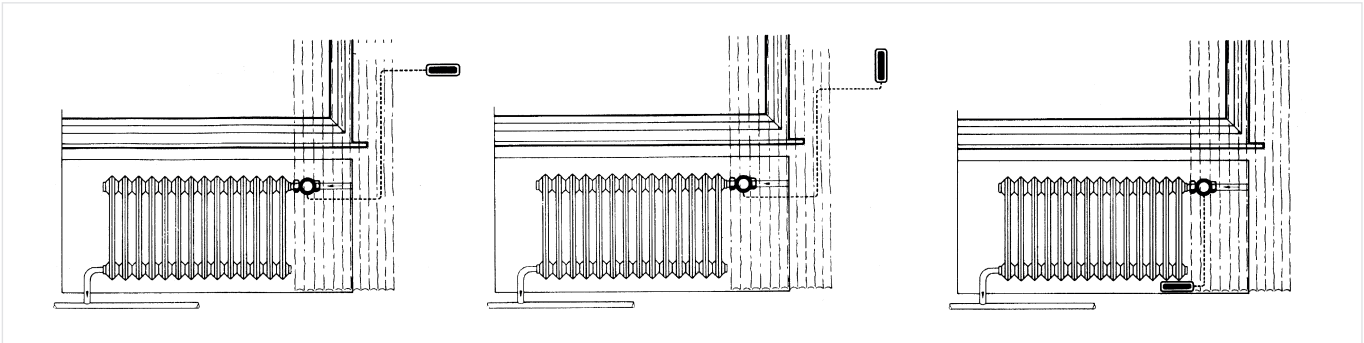


Fig. 2 Thera-3 with remote sensor

ACCESSORIES

	Description	Dimension	Part No.
	TA1010HZ HZ - Adapter HZ-Adapter from M28 x 1.5 with 9.5 mm closing dimension to M30 x 1.5 with 11.5 mm closing dimension		TA1010HZ01
	TA1010DA DA - Adapter from Danfoss Snap connection RA to M30 x 1.5		TA1010DA01
	TA6900A Theft - protection ring white (RAL9016)		TA6900A001
	VA8210A Special tool for assembly of radiator thermostats		VA8210A001
	TA6000A Cover cap for customer specific logos, white		TA6000A001
	TA1000B Decoring, white		TA1000B001

For more information

homecomfort.resideo.com/europe



Ademco 1 GmbH
Hardhofweg 40
74821 MOSBACH
GERMANY
Phone: +49 6261 810
Fax: +49 6261 81309

Manufactured for and on behalf of the
Pittway Sàrl, La Pièce 4, 1180 Rolle, Switzerland
by its Authorised Representative Ademco 1 GmbH
EN0H-2002GE25 R1120

Subject to change

© 2020 Pittway Sàrl. All rights reserved.

This document contains proprietary information of
Pittway Sàrl and its affiliated companies and is
protected by copyright and other international laws.
Reproduction or improper use without specific
written authorisation of Pittway Sàrl is strictly
forbidden. The Honeywell Home trademark is used
under license from Honeywell International Inc.

Honeywell Home