

TALENTO SMALL

ELECTRONIC PRESSURE REGULATORS



↑ Domestic use



PERFORMANCE RANGE

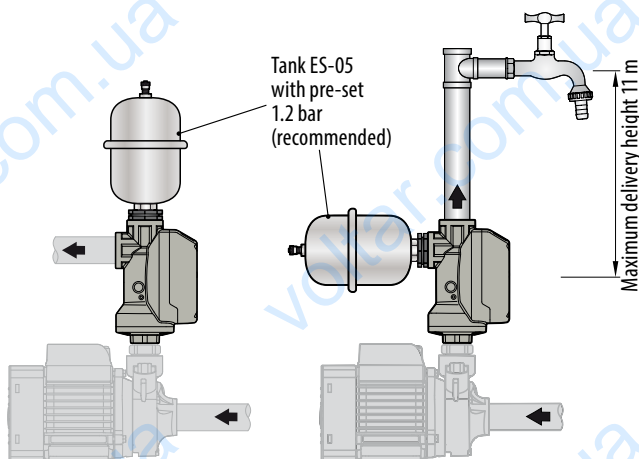
- Max flow rate: **200 l/min** (12 m³/h)
- Working pressure: **10 bar**
- Restarting pressure: **1.5 bar**

APPLICATION LIMITS

- Maximum liquid temperature **+50 °C**
- Ambient temperature up to **+40 °C**
- Burst pressure **40 bar**
- Protection: **IP 65**
- Power: – **0.75 kW (1 HP)** TALENTO SMALL-1
– **1.5 kW (2 HP)** TALENTO SMALL-2
- Voltage: **230 V**
- Frequency: **50/60 Hz**
- Max current: – **12 A** TALENTO SMALL-1
– **16 A** TALENTO SMALL-2

STANDARD INSTALLATION

In order to avoid frequent restarts we advise installing a small accumulation tank (ES-05).



CONSTRUCTION AND SAFETY STANDARDS

- Tropicalised resinated and easily replaced electronic card for complete protection from humidity, fitted in the case with an IP 65 protection.
- The electronic card inside the TALENTO SMALL has undergone the strictest EMC tests of electromagnetic compatibility (low emission of interference and a high immunity to disturbance) as a guarantee of its reliable use everywhere.

INSTALLATION AND USE

Flow and pressure sensing device for control and protection of single-phase pumps up to 2 HP (for domestic applications). It starts the pump when there is a drop in system pressure (e.g. when opening a tap) and stops the pump when the flow drops below 2 l/min (tap closed).

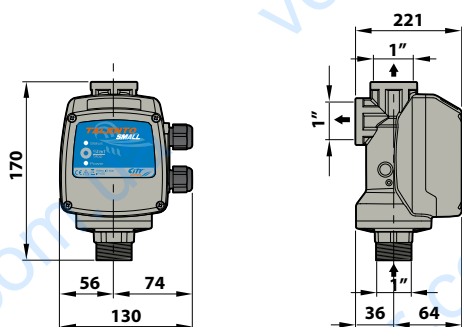
OPTIONS AVAILABLE ON REQUEST

- Version with pressure gauge

ACCESSORIES

- **ES-05** Stainless steel 0.5 litre tank (1")
- **GSR** Special three piece joint with an o-ring seal (1" M)

DIMENSIONS AND WEIGHT



Weight: 0.7 kg

