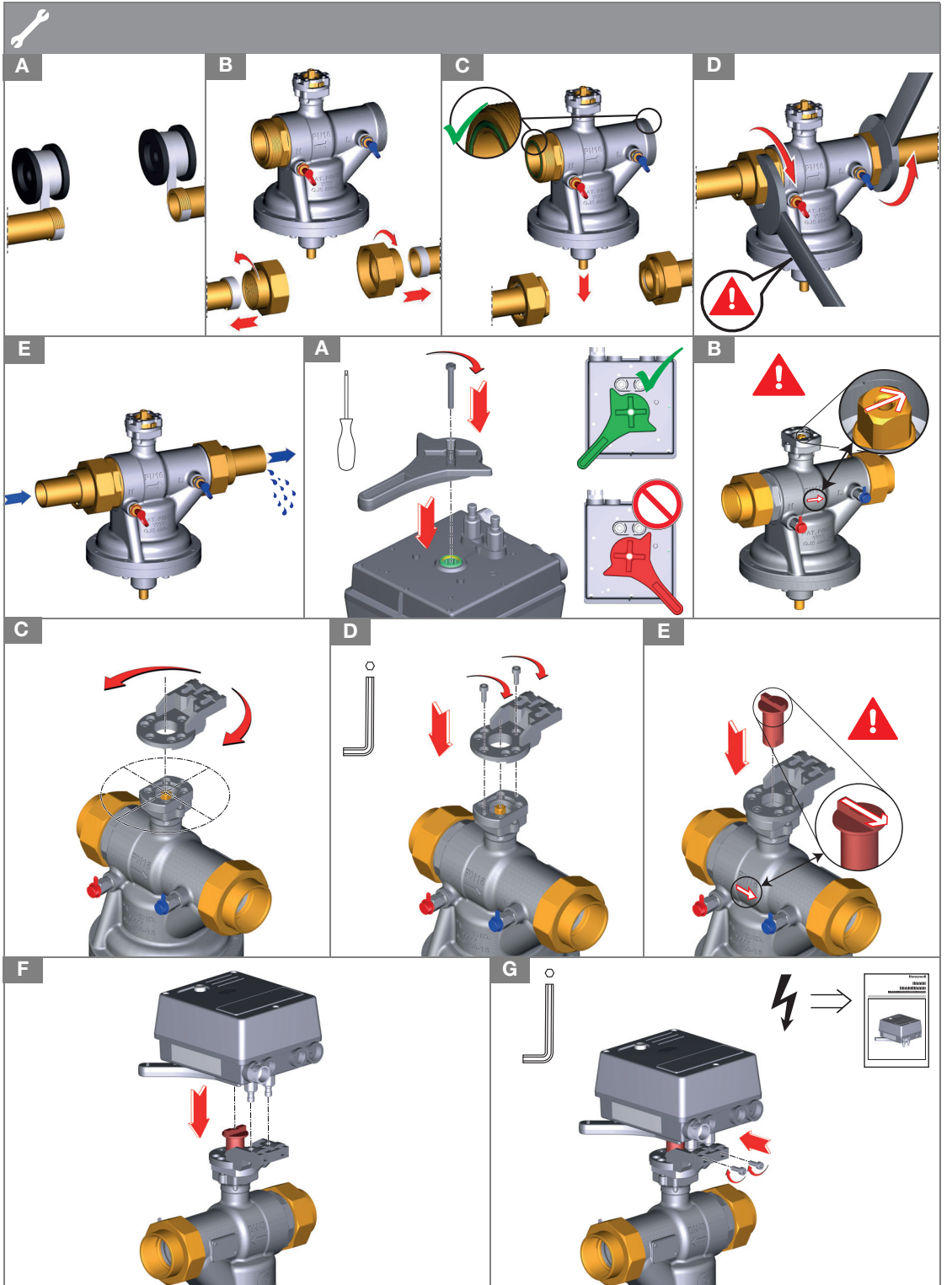





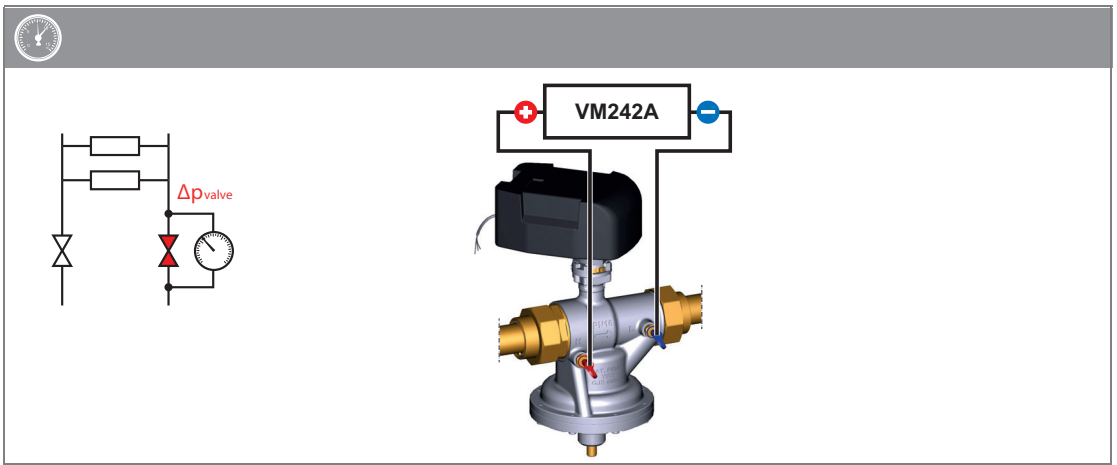
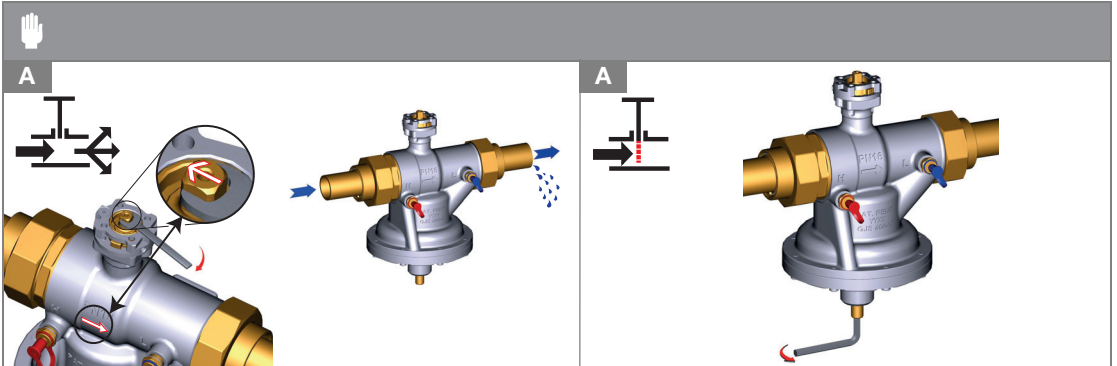
## Braukmann V5006TY ... (DN40...DN65) Kombi-QM



<p>pH 8...9.5 -10...120°C (14...248°F) p<sub>max</sub> = 16bar (232psi) Δp<sub>max</sub> = 400kPa</p>	V5006TY10326000	1800...6000 l/h	
	V5006TY10409000	2700...9000 l/h	
	V5006TY10501200	3300...11000 l/h	
	V5006TY10501700	5400...18000 l/h	
	V5006TY10651800	5400...18000 l/h	



① → 	Q [%]	100%	90%	80%	70%	60%	50%	40%	30%
	V5006TY10326000	Q [l/h]	6000	5400	4800	4200	3600	3000	2400
①	90°	87.5°	83°	78°	73°	69°	62°	52°	
	V5006TY10409000	Q [l/h]	9000	8100	7200	6300	5400	4500	3600
①	90°	82.5°	78°	69.5°	64.5°	57.5°	50°	42.5°	
	V5006TY10501200	Q [l/h]	11000	9900	8800	7700	6600	5500	4400
①	90°	77.5°	74°	69°	62°	56.5°	49.5°	43.5°	
	V5006TY10501700	Q [l/h]	18000	16200	14400	12600	6000	6000	6000
①	90°	86°	83°	79°	71°	63.5°	56°	49°	
	V5006TY10651800	Q [l/h]	18000	16200	14400	12600	10800	9000	7200
①	90°	86°	83°	79°	71°	63.5°	56°	49°	



Manufactured for  
and on behalf of  
Pittway Sàrl, Z.A., La Pièce 4,  
1180 Rolle, Switzerland

For more information  
[homecomfort.resideo.com/europe](http://homecomfort.resideo.com/europe)

Ademco 1 GmbH, Hardhofweg 40,  
74821 MOSBACH, GERMANY

Phone: +49 6261 810  
Fax: +49 6261 81309